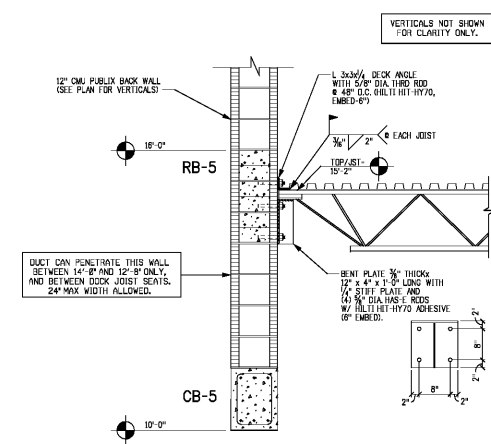


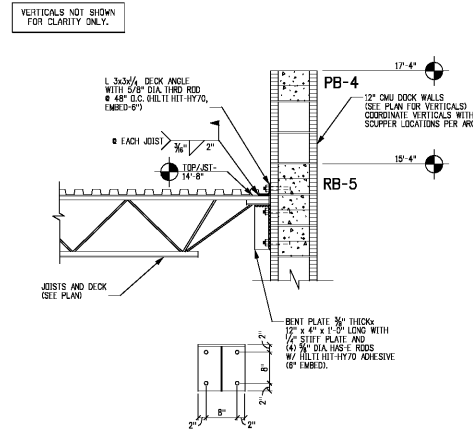
SPECIAL INSPECTIONS PER 2012 IBC:

1. THE OWNER SHALL EMPLOY ONE OR MORE SPECIAL INSPECTORS TO PROVIDE INSPECTIONS DURING CONSTRUCTION ON THE TYPES OF WORK LISTED UNDER SECTION 1704. THE SPECIAL INSPECTORS SHALL BE A QUALIFIED PERSON WHO SHALL DEMONSTRATE COMPETENCY TO THE SATISFACTION OF THE BUILDING OFFICIAL FOR INSPECTION OF THE PARTICULAR TYPE OF CONSTRUCTION OR OPERATION REQUIRING INSPECTION.
2. THESE INSPECTIONS ARE IN ADDITION TO THE INSPECTIONS SPECIFIED IN THE SPECIFICATIONS.
3. REPORTS:
 - A. SPECIAL INSPECTORS SHALL KEEP RECORDS OF INSPECTIONS. THE SPECIAL INSPECTORS SHALL FURNISH INSPECTION REPORTS TO THE BUILDING OFFICIAL AND TO THE REGISTERED DESIGN PROFESSIONAL IN RESPONSIBLE CHARGE. REPORTS SHALL INDICATE THAT THE WORK INSPECTED WAS DONE IN CONFORMANCE WITH APPROVED CONSTRUCTION DOCUMENTS.
 - B. DISCREPANCIES SHALL BE BROUGHT TO THE IMMEDIATE ATTENTION OF THE CONTRACTOR FOR CORRECTION. IF THE DISCREPANCIES ARE NOT CORRECTED, THE DISCREPANCIES SHALL BE BROUGHT TO THE ATTENTION OF THE BUILDING OFFICIAL AND TO THE REGISTERED DESIGN PROFESSIONAL IN RESPONSIBLE CHARGE FOR THAT PORTION OF THE WORK PRIOR TO THE COMPLETION OF THAT PHASE OF THE WORK.
 - C. INTERIM REPORTS OF INSPECTIONS DOCUMENTING REQUIRED SPECIAL INSPECTIONS RESULTS OF TESTS PERFORMED, ANY DISCREPANCY NOTICES AND THE CORRECTION OF ANY DISCREPANCIES NOTICED IN THE INSPECTIONS SHALL BE SUBMITTED IMMEDIATELY TO THE REGISTERED DESIGN PROFESSIONAL AND THE BUILDING OFFICIAL. NOTE: THE BUILDING OFFICIAL MAY REQUEST A DIFFERENT FREQUENCY FOR REPORTS SUBMITTED.
 - D. A FINAL REPORT OF INSPECTIONS DOCUMENTING ALL REQUIRED SPECIAL INSPECTIONS AND CORRECTION OF ANY DISCREPANCIES NOTICED IN THE INTERIM TEST REPORTS AND INSPECTIONS SHALL BE SUBMITTED TO THE BUILDING OFFICIAL AND THE REGISTERED DESIGN PROFESSIONAL AT THE CONCLUSION OF THE PROJECT.
4. THE INSPECTION AND TESTING AGENCIES SHALL BE ENGAGED BY THE OWNER OR THE SPECIAL INSPECTOR AND NOT BY THE CONTRACTOR OR SUBCONTRACTOR. THESE WORKS TO BE INSPECTED OR TESTED, ANY CONTACT OF INTEREST MUST BE DISCLOSED PRIOR TO COMMENCING WORK. THE QUALIFICATIONS OF THE SPECIAL INSPECTORS AND/OR TESTING AGENCIES SHALL BE SUBJECT TO THE APPROVAL OF BUILDING OFFICIAL AND/OR THE DESIGN PROFESSIONAL.
5. THE SPECIAL INSPECTION PROGRAM DOES NOT RELIEVE THE CONTRACTOR OF THE RESPONSIBILITY TO COMPLY WITH THE CONTRACT DOCUMENTS. JOBSITE SAFETY AND MEANS AND METHODS OF CONSTRUCTION ARE SOLELY THE RESPONSIBILITY OF THE CONTRACTOR.
6. THE REGISTERED DESIGN PROFESSIONAL IN RESPONSIBLE CHARGE FOR THIS PROJECT IS PAUL C. HARMAN, P.E.
7. SCHEDULE OF SPECIAL INSPECTIONS REQUIRED:

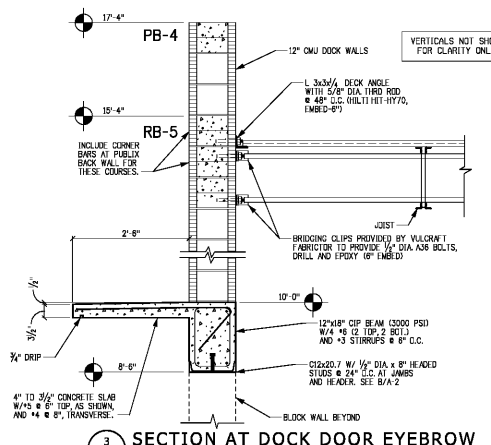
MATERIAL / ACTIVITY	SERVICES	REMARKS	PERIODIC INSPECTION	PERIODIC INSPECTION
1704.25 INSPECTION OF FABRICATORS				
VERIFY FABRICATION / QUALITY CONTROL PROCEDURES	IN-PLANT REVIEW	SEE SCHEDULE 1704.25.1 IF APPLICABLE		X
1706.2 STEEL CONSTRUCTION				
MATERIAL VERIFICATION OF HIGH-STRENGTH BOLTS, NUTS AND WASHERS	REVIEW MATERIAL MARKINGS AND CERTIFICATES OF COMPLIANCE			X
INSPECTION OF HIGH-STRENGTH BOLTING:				
A. BEARING TYPE CONNECTIONS	FIELD INSPECTION			X
B. PRE-TENSIONED OR SLIP-CRITICAL	FIELD INSPECTION			X
1. TURN-OF-NUT WITH MATCHING MARKINGS	FIELD INSPECTION			X
2. DIRECT TENSION INDICATOR	FIELD INSPECTION			X
3. TWIST-OFF BOLT	FIELD INSPECTION			X
4. TURN-OF-NUT WITHOUT MATCHING MARKINGS	FIELD INSPECTION			X
5. CALIBRATED WRENCH	FIELD INSPECTION			X
MATERIAL VERIFICATION OF STRUCTURAL STEEL:				
A. IDENTIFICATION MARKINGS	FIELD INSPECTION			X
B. CERTIFIED MILL TESTS	REVIEW SUBMITTALS	SEE SUBMITTALS		X
FIELD FILLER MATERIALS				
REVIEW QUALIFICATION AND FIELD VERIFICATION RECORDS	EACH SUBMITTAL			X
STRUCTURAL STEEL WELDING				
A. COMPLETE AND PARTIAL PENETRATION GROOVE WELDS	FIELD INSPECTION			X
B. MULTI-PASS FILLET WELDS	FIELD INSPECTION			X
C. SINGLE-PASS FILLET WELDS < 5/16"	FIELD INSPECTION			X
D. SINGLE-PASS FILLET WELDS > 5/16"	FIELD INSPECTION			X
E. FLOOR AND ROOF DECK WELDS	FIELD INSPECTION			X
REINFORCING STEEL INSTALLATION				
A. VERIFY WELDABILITY OF STEEL TYPES AND GRADES		N/A		X
B. REINFORCING STEEL RESTING FLEXURAL AND RESISTING MOMENTS IN INTERMEDIATE AND SPECIAL MOMENT RESISTING AND NON-MOMENT RESISTING SPECIAL CONCRETE JOINTS, WALLS AND SLABS		N/A		X
C. SHEAR REINFORCEMENT		N/A		X
D. OTHER REINFORCEMENT		N/A		X
INSPECTION OF STEEL FABRICATION MATERIALS FOR COMPLIANCE WITH APPROVED CONSTRUCTION DOCUMENTS:				
A. DETAILS SUCH AS BRACING AND ANCHORAGE	FIELD INSPECTION			X
B. MEMBER SIZES AND LOCATIONS	FIELD INSPECTION			X
C. APPLICATION OF CONNECTION DETAILS AT EACH CONNECTION	FIELD INSPECTION			X
CONCRETE CONSTRUCTION				
INSPECTION OF REINFORCING STEEL INSTALLATION	FIELD INSPECTION			X
INSPECTION OF PRESTRESSING STEEL INSTALLATION	IN-PLANT OR FIELD REVIEW	N/A		X
INSPECTION OF PRESTRESSED CONCRETE:				
A. APPLICATION OF PRESTRESSING FORCE		N/A		X
B. ROUTING OF BONDED PRESTRESSING TENDONS IN THE SEISMIC FORCE-RESISTING SYSTEM		N/A		X
INSPECTION OF CAST-IN PLACE BOLTS PRIOR TO AND DURING PLACEMENT OF CONCRETE	FIELD INSPECTION			X
INSPECTION OF ANCHORS INSTALLED IN HARDENED CONCRETE	FIELD INSPECTION			X
VERIFICATION OF REQUIRED MIX DESIGN	REVIEW SUBMITTALS			X
FRESH CONCRETE SAMPLING	FIELD TESTING			X
INSPECTION OF CONCRETE PLACEMENT FOR PROPER APPLICATION TECHNIQUES	FIELD REVIEW			X
CONCRETE CURING OPERATIONS	FIELD REVIEW			X
INSPECTION OF PRECAST CONCRETE MEMBERS	FIELD REVIEW	N/A		X
EVALUATION OF CONCRETE STRENGTH	FIELD TESTING AND REVIEW LABORATORY REPORTS			X
VERIFICATION OF IN-SITU CONCRETE STRENGTH, PRIOR TO STRESSING OF TENDONS IN POST-TENSIONED CONCRETE AND PRIOR TO REMOVAL OF SHORES AND FORMS FROM BEAMS AND STRUCTURAL SLABS	REVIEW FIELD TESTS AND LABORATORY REPORTS	N/A		X
INSPECTION OF FORMWORK FOR 6-WAY, LOCATION AND DIMENSIONS OF THE CONCRETE MEMBERS BEING FORMED	FIELD REVIEW			X
1708.1 MASONRY CONSTRUCTION				
VERIFY PROPORTIONS OF SITE PREPARED MORTAR	FIELD REVIEW			X
VERIFY CONSTRUCTION OF MORTAR JOINTS	FIELD INSPECTION			X
VERIFY LOCATION OF REINFORCEMENT AND CONNECTORS	FIELD INSPECTION			X
VERIFY SIZE AND LOCATION OF STRUCTURAL MASONRY ELEMENTS	FIELD AND SUBMITTAL REVIEW			X
VERIFY TYPE, SIZE AND LOCATION OF ANCHORS, INCLUDING DETAILS OF ANCHORAGE OF MASONRY TO STRUCTURAL MEMBERS, FRAMES OR OTHER CONSTRUCTION	FIELD INSPECTION			X
VERIFY SIZE, GRADE AND TYPE OF REINFORCEMENT	FIELD INSPECTION			X
VERIFY WELDING OF REINFORCING BARS	FIELD INSPECTION	N/A		X
VERIFY PROTECTION OF MASONRY DURING COLD WEATHER	FIELD INSPECTION			X
VERIFY GROUT SPACE IS CLEAN PRIOR TO GROUTING	FIELD INSPECTION			X
VERIFY PLACEMENT OF REINFORCEMENT AND ANCHORAGES PRIOR TO GROUTING	FIELD INSPECTION			X
VERIFY GROUP PLACEMENT COMPLIES WITH CODE AND CONSTRUCTION DOCUMENT PROVISIONS	FIELD INSPECTION			X
OBSERVE PREPARATION OF GROUT SPECIMENS, MORTAR SPECIMENS AND/OR PRISMS	FIELD INSPECTION			X
VERIFY COMPLIANCE WITH CONSTRUCTION DOCUMENTS AND APPROVED SUBMITTALS	FIELD INSPECTION			X
1708.2 SOILS				
VERIFY MATERIALS BELOW FOOTINGS ARE ADEQUATE TO ACHIEVE THE DESIGN BEARING CAPACITY	VERIFY COMPLIANCE WITH APPROVED SOIL REPORT			X
VERIFY EXCAVATIONS ARE EXTENDED TO PROPER DEPTH AND HAVE REACHED PROPER MATERIALS	FIELD INSPECTION			X
PERFORM CLASSIFICATION AND TESTING OF CONTROLLED FILL MATERIALS	FIELD INSPECTION			X
PRIOR TO PLACEMENT OF CONTROLLED FILL, OBSERVE SURROUND AND VERIFY THAT SITE HAS BEEN PREPARED PROPERLY	VERIFY COMPLIANCE WITH APPROVED SOIL REPORT			X
VERIFY USE OF PROPER MATERIALS, DENSITIES AND LIFT THICKNESSES DURING PLACEMENT AND COMPACTION OF CONTROLLED FILL	FIELD INSPECTION			X
1708.11 QUALITY ASSURANCE FOR SEISMIC RESISTANCE				
DESCRIPTION OF SEISMIC FORCE-RESISTING SYSTEM SUBJECT TO SPECIAL INSPECTION AND TESTING				
A. VERIFY ROOF DECK GAGE, TYPE AND LOCATIONS	FIELD INSPECTION			X
B. ROOF DECK ATTACHMENT TO JOISTS AND TO PERIMETER ANGLE	FIELD INSPECTION			X
C. PERIMETER DECK ANGLE AND SPLICE DETAIL	FIELD INSPECTION			X
D. CONNECTION OF DECK ANGLE TO MASONRY WALL/ROOF BOND BEAM	FIELD INSPECTION			X
E. CONSTRUCTION OF MASONRY WALLS PER SECTION 1705.4	FIELD INSPECTION	SEE REFERENCE		
F. CONSTRUCTION OF FOOTINGS AND SLAB PER SECTION 1706.2	FIELD INSPECTION	SEE REFERENCE		
1708.11.6 MECHANICAL AND ELECTRICAL COMPONENTS				
PERIODIC INSPECTION DURING THE ANCHORAGE OF ELECTRICAL EQUIPMENT FOR EMERGENCY OR STANDBY POWER SYSTEMS	FIELD INSPECTION			X



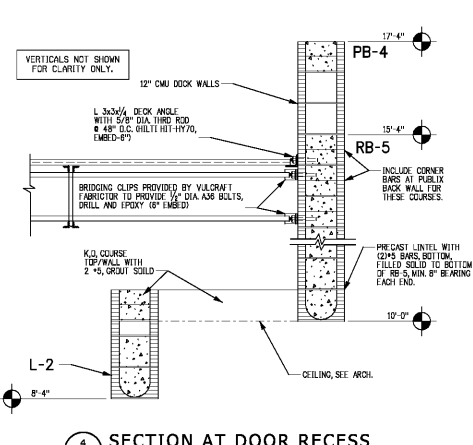
1 SECTION AT DOCK OPENING
SCALE: 3/4"=1'-0"



2 SECTION AT ENCLOSED DOCK
SCALE: 3/4"=1'-0"



3 SECTION AT DOCK DOOR EYEBROW
SCALE: 3/4"=1'-0"



4 SECTION AT DOOR RECESS
SCALE: 3/4"=1'-0"

Order Plans @