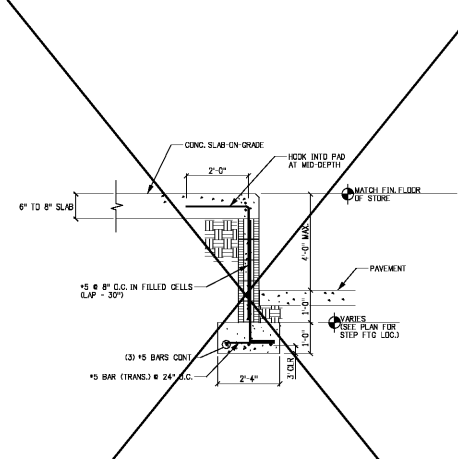
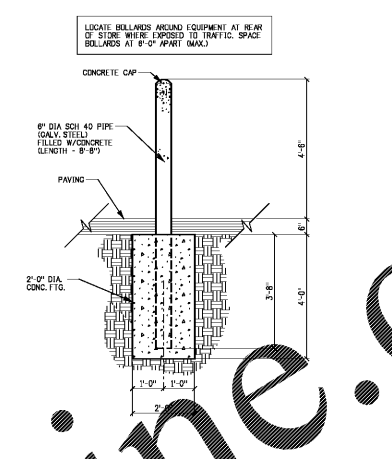


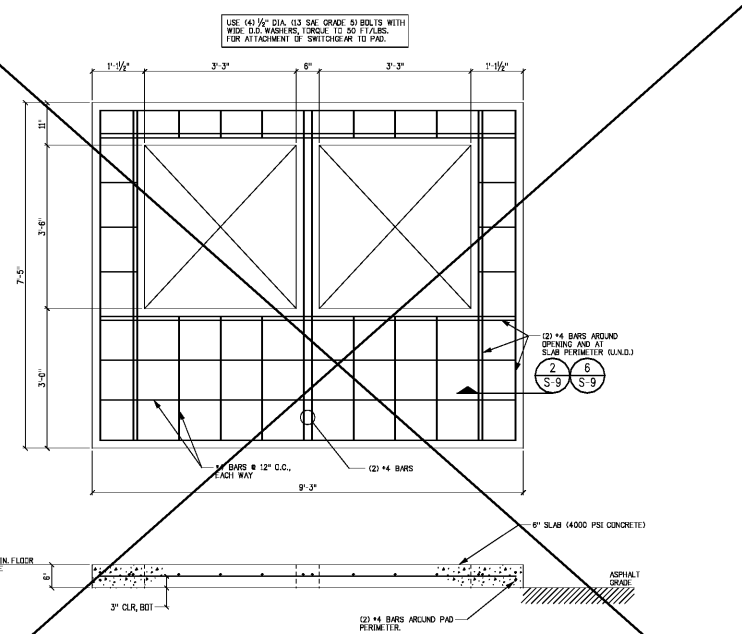
1 STANDBY (BAG) GENERATOR PAD
S-9 SCALE: 3/4"=1'-0" (1000 gal.)



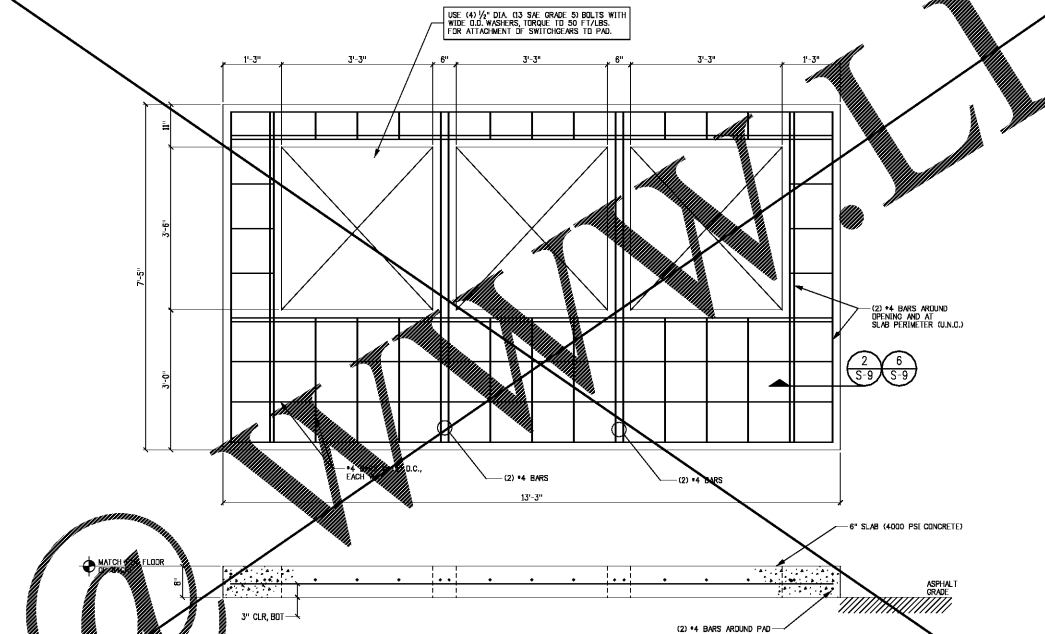
2 SECTION FOR RAISED PAD
S-9 SCALE: 1/2"=1'-0" (IF >6" DIFFERENCE)



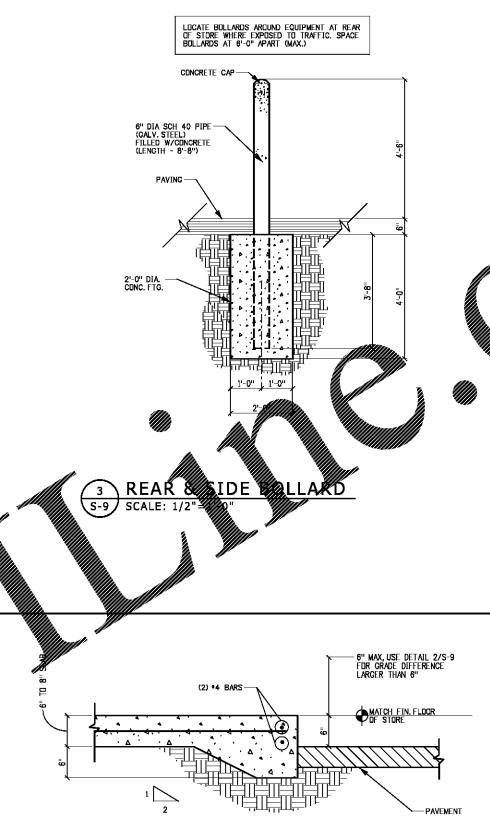
3 REAR & SIDE BOLLARD
S-9 SCALE: 1/2"=1'-0"



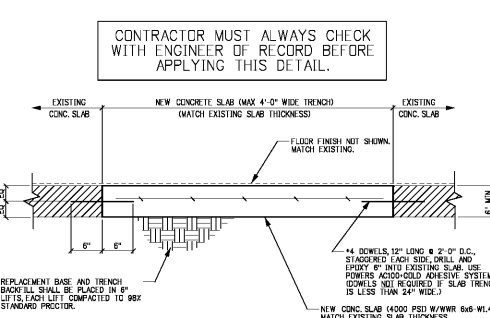
4 SWITCHGEAR PAD (2 UNITS)
S-9 SCALE: 3/4"=1'-0"



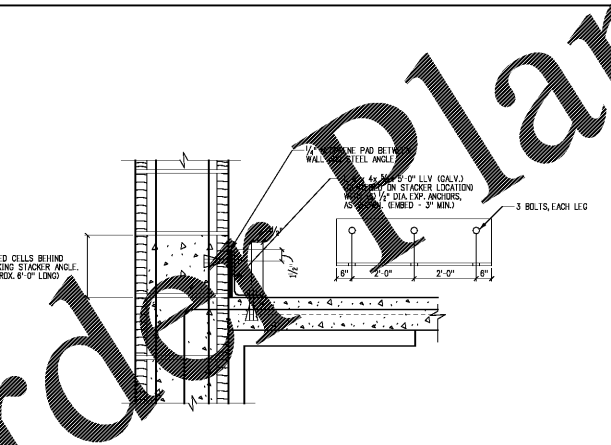
5 SWITCHGEAR PAD (3 UNITS)
S-9 SCALE: 3/4"=1'-0"



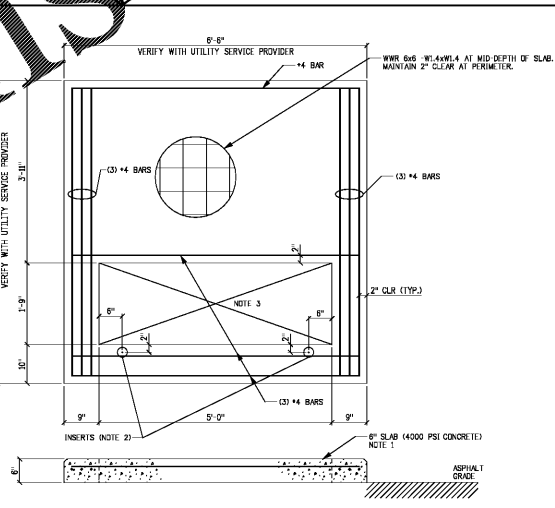
6 SECTION AT PAD
S-9 SCALE: 3/4"=1'-0" (IF <6" DIFFERENCE)



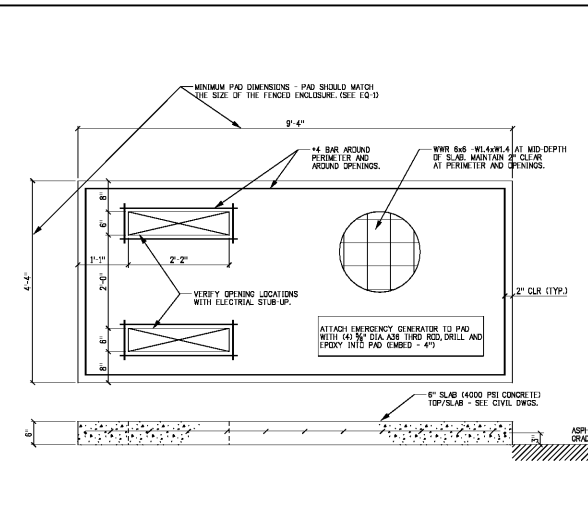
7 SLAB PATCHING DETAIL
S-9 SCALE: 1"=1'-0"



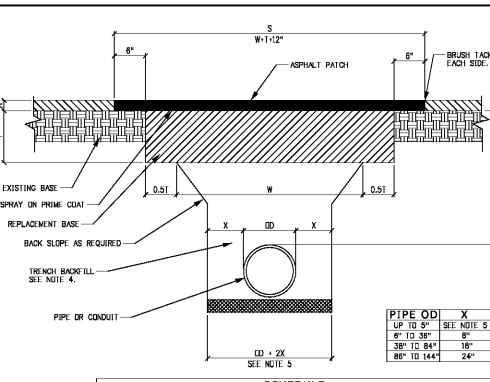
8 ANGLE AT STACKER DETAIL
S-9 SCALE: 1 1/2"=1'-0"



9 TRANSFORMER PAD (IF APPLICABLE)
S-9 SCALE: 3/4"=1'-0"



10 EMERGENCY GENERATOR PAD
S-9 SCALE: 3/4"=1'-0"



11 PAVEMENT RESTORATION DETAIL
S-9 SCALE: 1"=1'-0"

ITEM	ALLEY/DRIVE	STD. ROAD	HEAVY DUTY ROAD	REMARKS
A - ASPH. THICKNESS (MIN.)	1"	1"	2 1/4"	
T - BASE THICKNESS (MIN.)	6"	12"	16"	NOT BE SUBSTITUTED WITH ASPHALT.
S - SURFACE (INCHES)	24"	36"	36"	
D - DEPTH (CENTERS - MIN.)	30"	100"	36"	

- NOTES:
- FOR USE WHERE PERMISSION HAS BEEN OBTAINED FOR "OPEN CUT" INSTALLATIONS.
 - REPLACEMENT BASE AND TRENCH BACKFILL SHALL BE PLACED IN 6" LIFTS, EACH LIFT COMPACTED TO 95 PERCENT STANDARD PRACTICE.
 - PAVEMENT JOINTS SHALL BE MECHANICALLY SAW CUT.
 - BASE MATERIAL SHALL BE LIME ROCK OR CRUSHED (OR CEMENT) CONCRETE TO MATCH BASE MATERIAL, BUT OF THICKNESS SHOWN HERE.
 - FOR PERFORATED CURBS LESS THAN 24" DEPTH, WIDTH MAY BE REDUCED TO WIDTH OF THE MECHANICAL TAPER IF BANNED WITH DRY 1/4" SAND/CEMENT MIX OR OTHER APPROVED MATERIAL TO 4" ABOVE P.P.

PLOT DATE:
25 AUG 2017

REVISION DATA:

1637
PUBlix @ LAKE CROSSING
PLATT SPRINGS RD & HWY 6
LEXINGTON, LEXINGTON, SC
45.92
08/21/2017
SIENNA - LITE

GENERATOR PADS AND DETAILS

SCALE: AS NOTED

S-9

Order Plans

@

WWW.LDLine.com