

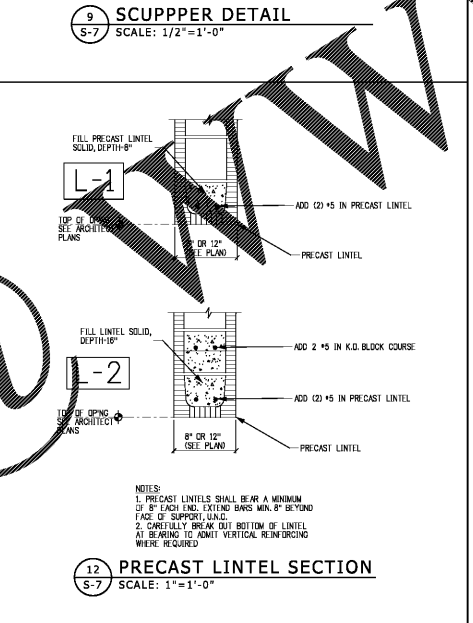
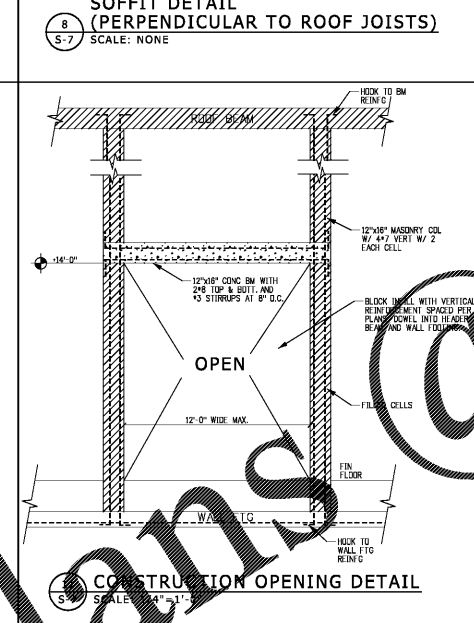
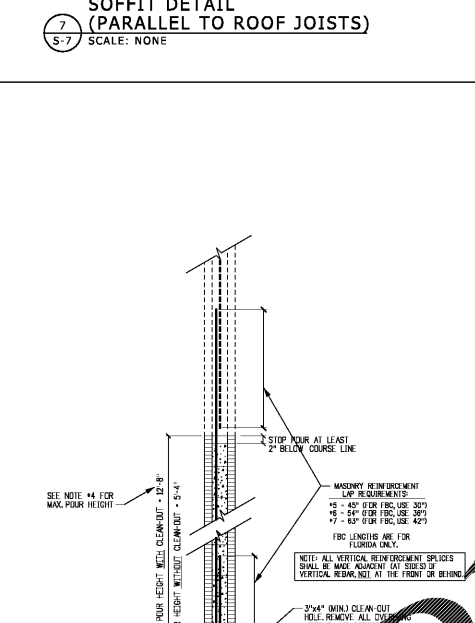
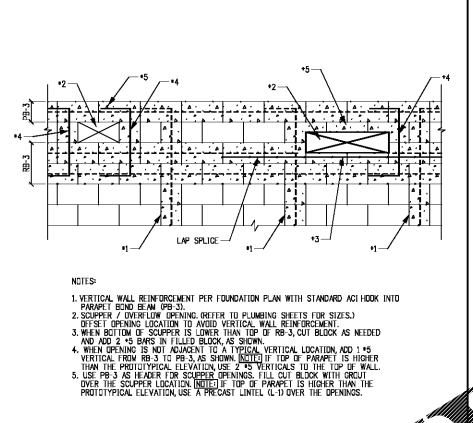
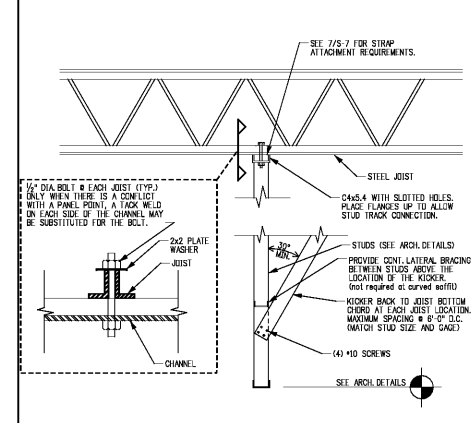
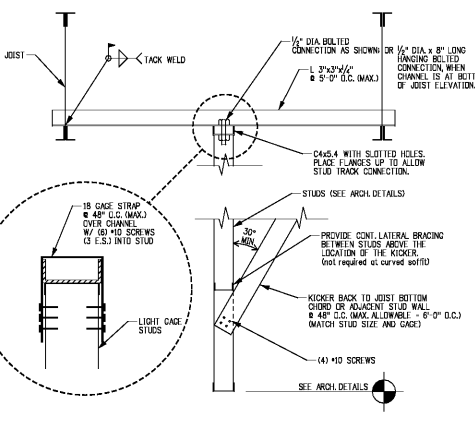
GENERAL NOTES
DESIGN LOADS
1. DEAD LOADS, LIVE LOADS AND WIND LOADS ARE SPECIFIED ON THE PLAN SHEETS.
2. THIS STRUCTURE HAS BEEN DESIGNED TO COMPLY WITH LATEST EDITION OF THE FLORIDA BUILDING CODE WITH THE INTERNATIONAL BUILDING CODE.

CONSTRUCTION SAFETY
1. THESE DRAWINGS DO NOT INCLUDE PROVISIONS TO SATISFY SAFETY REQUIREMENTS. CONTRACTOR IS SOLELY RESPONSIBLE FOR ENSURING SAFETY DURING CONSTRUCTION AND FOR CONFORMANCE TO ALL APPLICABLE SAFETY REQUIREMENTS. CONTRACTOR SHALL MAINTAIN CLEAR ACCESS TO ALL EGRESS ROUTES AND PROVIDE ADEQUATE LIGHTING AND SAFETY SIGNALS. CONTRACTOR SHALL BE RESPONSIBLE FOR THE PROTECTION OF ALL UTILITIES AND EXISTING STRUCTURES. CONTRACTOR SHALL BE RESPONSIBLE FOR THE PROTECTION OF ALL EXISTING UTILITIES AND EXISTING STRUCTURES. CONTRACTOR SHALL BE RESPONSIBLE FOR THE PROTECTION OF ALL EXISTING UTILITIES AND EXISTING STRUCTURES.

FOUNDATIONS
1. FOUNDATION DESIGN FOR THE SOIL BEARING PRESSURE AS DESCRIBED IN THE DESIGN CRITERIA IF CONDITIONS AT THE SITE DO NOT PROVIDE THIS MINIMUM VALUE, NOTIFY PUBLIC STRUCTURAL ENGINEER IMMEDIATELY.
2. FOUNDATION SIZES SHALL NOT BE REDUCED FOR ANY REASON, EVEN IF HIGHER SOIL BEARING VALUES ARE AVAILABLE.
3. TOP OF ALL FOOTINGS TO BE A MINIMUM OF 24\"/>

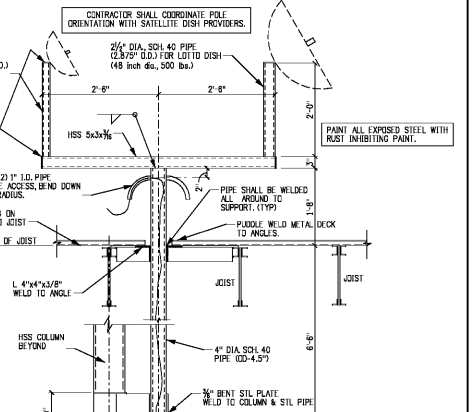
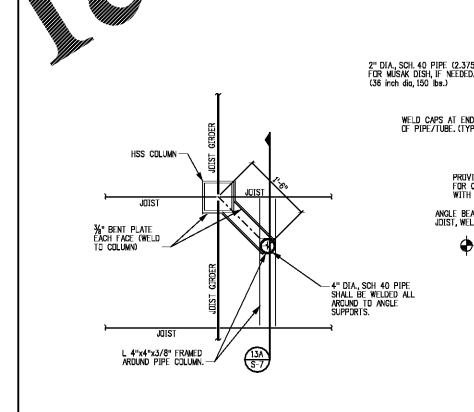
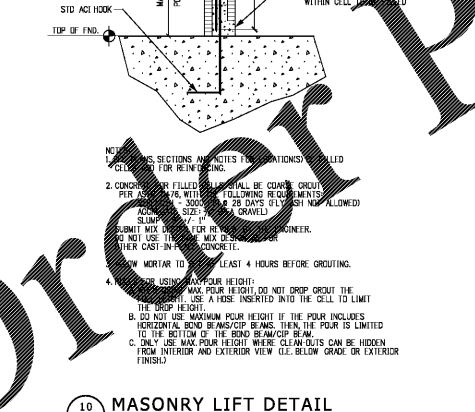
REINFORCED CONCRETE
1. CONCRETE MATERIALS, MIXING AND WORKMANSHIP SHALL BE IN ACCORDANCE WITH ACI 309, ACI 308 AND ACI 318.
2. REINFORCING PRACTICES AND SHALL CONFORM TO THE LATEST EDITIONS TO ACI 309, ACI 308 AND ACI 318.
3. CONTRACTOR SHALL SUBMIT REINFORCEMENT SHOP DRAWINGS FOR REVIEW PRIOR TO CONSTRUCTION. CONTRACTOR SHALL SUBMIT REINFORCEMENT SHOP DRAWINGS FOR REVIEW PRIOR TO CONSTRUCTION.
4. CONTRACTOR SHALL SUBMIT REINFORCEMENT SHOP DRAWINGS FOR REVIEW PRIOR TO CONSTRUCTION.
5. THE FOLLOWING ARE GENERAL GUIDELINES FOR AIR CONTENT. THE CONCRETE SUPPLIER IS ULTIMATELY RESPONSIBLE FOR SELECTING THE AIR CONTENT, BASED ON PLACEMENT LOCATION, EXPOSURE LEVELS AND WORKABILITY.
6. CONTRACTOR SHALL PROVIDE COPIES OF ALL STRUCTURAL CONCRETE COMPRESSION TEST RESULTS TO THE ENGINEER FOR REVIEW. ALSO, CONTRACTOR SHALL PROVIDE COPIES OF CONCRETE TEST REPORTS AVAILABLE ON SITE.
7. FOR EACH CONCRETE POUR, CONTRACTOR SHALL PROVIDE MAXIMUM CONCRETE TEMPERATURE RECORDS. CONTRACTOR SHALL SUBMIT THESE RECORDS TO THE ENGINEER FOR REVIEW.
8. SPECIFIED CONCRETE COVER FOR REINFORCEMENT, UNLESS NOTED OTHERWISE, SHALL BE AS FOLLOWS:
9. REINFORCEMENT SHALL BE SECURELY HELD IN PLACE BY STANDARD ACCESSORIES.
10. ALL REINFORCEMENT SHALL BE SECURELY HELD IN PLACE BY STANDARD ACCESSORIES.

STRUCTURAL STEEL
1. HOT ROLLED STEEL BEAMS SHALL BE ASTM A992, 50 KSI. PLATES, BRACES, CHANNELS, RODS AND ANGLES SHALL CONFORM TO ASTM A572, 50 KSI. ALL STEEL SHALL RECEIVE ONE COAT OF PRIMER PER SPEC. NOT TEMPERED OR REBLENDED.
2. STEEL PIPE SHALL CONFORM TO ASTM A53, GRADE B, 48-48 KSI.
3. HOLLOW STRUCTURAL SECTIONS SHALL CONFORM TO ASTM A500 GRADE B, 48-48 KSI.
4. A BOLT SHALL BE USED TO SECURELY HOLD THE BEAM TO THE COLUMN FOR APPROVAL.
5. ALL BOLTS SHALL BE HIGH STRENGTH ASTM A325, 3/4\"/>



STEEL BEAM JOISTS
1. STEEL JOISTS AND RELATED ACCESSORIES SHALL BE ENGINEERED AND FABRICATED BY MCGRAW-HILL/ARCO/VAUGHAN AND WILL BE PROVIDED BY PUBLIC. SEE SPECIFICATION SECTION ON THE PLAN SHEETS.
2. GENERAL CONTRACTOR AND STEEL FABRICATOR TO COORDINATE WITH VULCANIZING SHOP DRAWINGS FOR ALL CONNECTIONS. SHOP DRAWINGS WILL BE AVAILABLE FROM VULCANIZING AFTER THE STORE HAS BEEN MARKED.
3. CONTRACTOR SHALL BE RESPONSIBLE FOR UNLOADING DELIVERY AND COVERING MATERIALS AT THE JOIST SITE. CONTRACTOR IS ALSO RESPONSIBLE FOR UNLOADING DELIVERY AND COVERING MATERIALS AT THE JOIST SITE.
4. THE JOISTS SHALL NOT BE ON THE SITE FOR MORE THAN 10 DAYS BEFORE BEING ERECTED.
5. JOISTS SHALL BE STORED IN ACCORDANCE WITH ALL MATERIALS HANDLING AND STORAGE REQUIREMENTS. JOISTS SHALL BE STORED IN ACCORDANCE WITH ALL MATERIALS HANDLING AND STORAGE REQUIREMENTS.
6. JOISTS SHALL BE STORED IN ACCORDANCE WITH ALL MATERIALS HANDLING AND STORAGE REQUIREMENTS.
7. JOISTS SHALL BE STORED IN ACCORDANCE WITH ALL MATERIALS HANDLING AND STORAGE REQUIREMENTS.
8. JOISTS SHALL BE STORED IN ACCORDANCE WITH ALL MATERIALS HANDLING AND STORAGE REQUIREMENTS.
9. JOISTS SHALL BE STORED IN ACCORDANCE WITH ALL MATERIALS HANDLING AND STORAGE REQUIREMENTS.
10. JOISTS SHALL BE STORED IN ACCORDANCE WITH ALL MATERIALS HANDLING AND STORAGE REQUIREMENTS.

METAL DECKING
1. STEEL DECK AND RELATED ACCESSORIES SHALL BE ENGINEERED AND FABRICATED BY MCGRAW-HILL/ARCO/VAUGHAN AND WILL BE PROVIDED BY PUBLIC. SEE SPECIFICATION SECTION ON THE PLAN SHEETS.
2. GENERAL CONTRACTOR AND STEEL FABRICATOR TO COORDINATE WITH VULCANIZING SHOP DRAWINGS, WHICH WILL BE PROVIDED AFTER THE STORE HAS BEEN MARKED.
3. CONTRACTOR SHALL BE RESPONSIBLE FOR UNLOADING DELIVERY AND COVERING MATERIALS AT THE JOIST SITE. CONTRACTOR IS ALSO RESPONSIBLE FOR UNLOADING DELIVERY AND COVERING MATERIALS AT THE JOIST SITE.
4. THE DECK SHALL NOT BE ON THE SITE FOR MORE THAN 10 DAYS BEFORE BEING ERECTED.
5. DECK SYSTEM SHALL BE 1 1/2\"/>



JOIST AND ROOF DECK UPLIFT PLANS
1. STEEL DECK AND RELATED ACCESSORIES SHALL BE ENGINEERED AND FABRICATED BY MCGRAW-HILL/ARCO/VAUGHAN AND WILL BE PROVIDED BY PUBLIC. SEE SPECIFICATION SECTION ON THE PLAN SHEETS.
2. GENERAL CONTRACTOR AND STEEL FABRICATOR TO COORDINATE WITH VULCANIZING SHOP DRAWINGS, WHICH WILL BE PROVIDED AFTER THE STORE HAS BEEN MARKED.
3. CONTRACTOR SHALL BE RESPONSIBLE FOR UNLOADING DELIVERY AND COVERING MATERIALS AT THE JOIST SITE. CONTRACTOR IS ALSO RESPONSIBLE FOR UNLOADING DELIVERY AND COVERING MATERIALS AT THE JOIST SITE.
4. THE DECK SHALL NOT BE ON THE SITE FOR MORE THAN 10 DAYS BEFORE BEING ERECTED.
5. DECK SYSTEM SHALL BE 1 1/2\"/>

JOIST AND ROOF DECK UPLIFT PLANS
1. UPLIFT CABLES SHALL BE ENGINEERED AND FABRICATED BY MCGRAW-HILL/ARCO/VAUGHAN AND WILL BE PROVIDED BY PUBLIC. SEE SPECIFICATION SECTION ON THE PLAN SHEETS.
2. GENERAL CONTRACTOR AND STEEL FABRICATOR TO COORDINATE WITH VULCANIZING SHOP DRAWINGS, WHICH WILL BE PROVIDED AFTER THE STORE HAS BEEN MARKED.
3. CONTRACTOR SHALL BE RESPONSIBLE FOR UNLOADING DELIVERY AND COVERING MATERIALS AT THE JOIST SITE. CONTRACTOR IS ALSO RESPONSIBLE FOR UNLOADING DELIVERY AND COVERING MATERIALS AT THE JOIST SITE.
4. THE JOISTS SHALL NOT BE ON THE SITE FOR MORE THAN 10 DAYS BEFORE BEING ERECTED.
5. JOIST SYSTEM SHALL BE 1 1/2\"/>

PAD FOOTING SCHEDULE FOR P2/S2/S3, SEE SHEET S-5

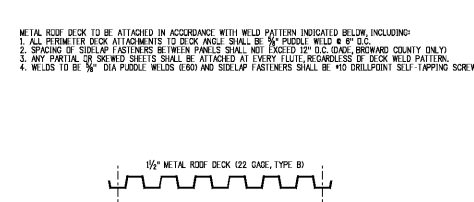
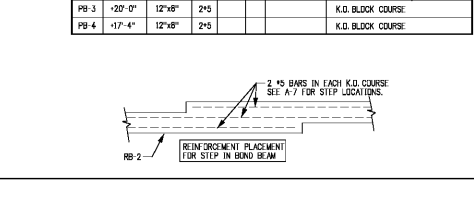
MARK	SIZE	DEPTH (EACH WAY)	REMARKS
F3	3'-0\"/>	12\"/>	4 #5 BOTTL.
F4	4'-0\"/>	12\"/>	5 #5 BOTTL.
F5	5'-0\"/>	12\"/>	5 #5 BOTTL.
F6	6'-0\"/>	14\"/>	5 #6 BOTTL.
F7	7'-0\"/>	14\"/>	6 #6 BOTTL.
F8	8'-0\"/>	14\"/>	7 #6 BOTTL.
F9	9'-0\"/>	14\"/>	7 #6 BOTTL.
F10	10'-0\"/>	14\"/>	7 #6 BOTTL.
F11	11'-0\"/>	14\"/>	7 #6 BOTTL.
F12	12'-0\"/>	14\"/>	7 #6 BOTTL.
F13	13'-0\"/>	14\"/>	7 #6 BOTTL.
F14	14'-0\"/>	14\"/>	7 #6 BOTTL.

CONTINUOUS FOOTING SCHEDULE

MARK	WIDTH X DEPTH	REINFORCING TRANSVERSALS	REMARKS
M30	2'-0\"/>	4 #5 BARS	6\"/>
M32	2'-0\"/>	4 #5 BARS	6\"/>
M34	2'-0\"/>	4 #5 BARS	6\"/>
M36	2'-0\"/>	4 #5 BARS	6\"/>
M38	2'-0\"/>	4 #5 BARS	6\"/>

BEAM SCHEDULE (1'-0\"/>

BEAM	LIFT TOP OF BEAM	SIZE	REINFORCING	STRIPS	TIES	REMARKS
MB-1						NOT USED
MB-2						NOT USED
MB-3	10'-4\"/>	12\"/>	3#6	3#3	6\"/>	CONCRETE BEAM EXTENSIVE
MB-4						K.O. BLOCK COURSE
MB-5	11'-4\"/>	12\"/>	3#6	3#3	6\"/>	CONCRETE BEAM
RB-1	22'-8\"/>	12\"/>	2#5	2#5		K.O. BLOCK COURSE (42)
RB-2						K.O. BLOCK COURSE (42) OR (45) # STRIPS SEE 12\"/>
RB-3	19'-8\"/>	12\"/>	2#5	2#5		K.O. BLOCK COURSE (42)
RB-4	14'-8\"/>	8\"/>	2#5	2#5		K.O. BLOCK COURSE (42)
RB-5						ONLY USED WHEN ENCLOSED DOOR
RB-6	24'-4\"/>	12\"/>	2#5	2#5		K.O. BLOCK COURSE
RB-7						DEPTH OF POLYMER BEAM VARS BY 1/8\"/>
RB-8	20'-0\"/>	12\"/>	2#5	2#5		K.O. BLOCK COURSE
RB-9	17'-4\"/>	12\"/>	2#5	2#5		K.O. BLOCK COURSE



Publix SUPER MARKETS

CORPORATE OFFICES, FACILITIES DESIGN
3000 PALM CANYON BLVD
LAKELAND, FL 33851

PUBLIC FACILITIES DESIGN DEPARTMENT
DAVID ARCHITECT, P.A.
ARCHITECT
1111 S. MILITARY AVE., SUITE 1014
LAKE WORTH, FL 33499
TEL: 561-594-1111
FAX: 561-594-1111

JOHN J. CARAMALIS, PE
STRUCTURAL ENGINEER
1111 S. MILITARY AVE., SUITE 1014
LAKE WORTH, FL 33499
TEL: 561-594-1111
FAX: 561-594-1111

ANTHONY CLEMENTI, PE
MECHANICAL ENGINEER
1111 S. MILITARY AVE., SUITE 1014
LAKE WORTH, FL 33499
TEL: 561-594-1111
FAX: 561-594-1111

NORMAN MEIER, PE
ELECTRICAL ENGINEER
1111 S. MILITARY AVE., SUITE 1014
LAKE WORTH, FL 33499
TEL: 561-594-1111
FAX: 561-594-1111

PLOT DATE:
28 AUG 2017

REVISION DATA:
1637
PUBlix @ LAKE CROSSING
PLATT SPRINGS RD & HWY 6
LEKINGTON, LEKINGTON, SMC

45.9.2
SCHEDULES & DETAILS
SIENNA-LITE

SCHEDULES & DETAILS
SCALE AS NOTED

S-7