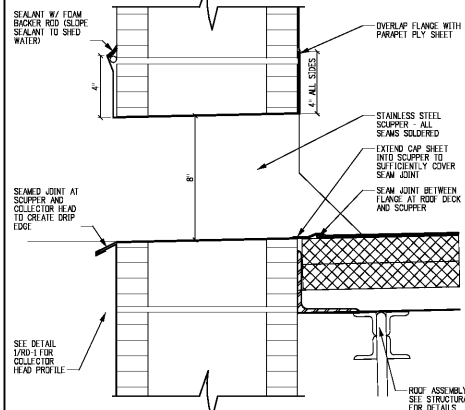


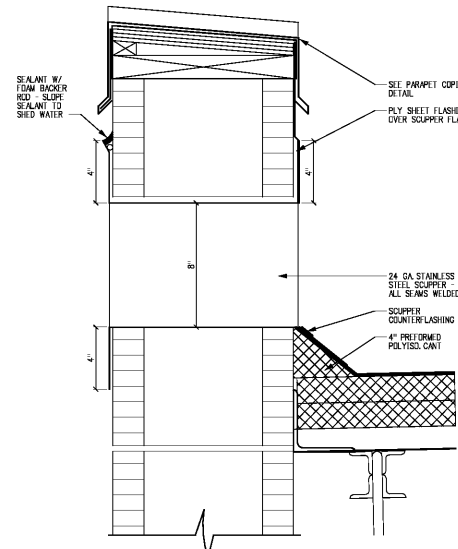
SECTION A-A

MARK	DIMENSION
A	REFER TO PLUMBING PLAN P-3
B	DIMENSION A + 4"
C	REFER TO PLUMBING PLAN P-3
D	REFER TO PLUMBING PLAN P-3

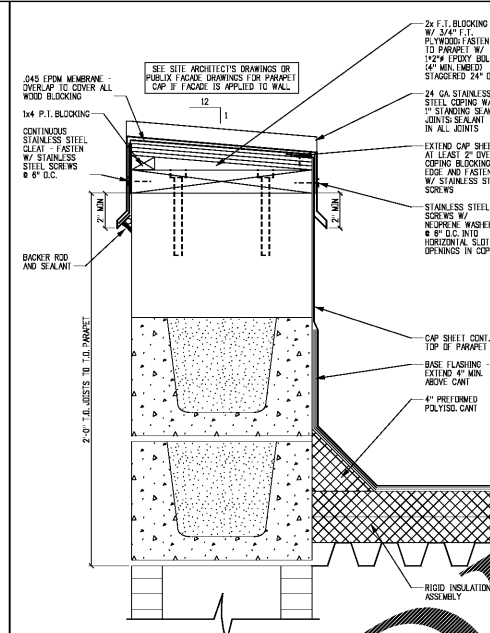
1 SCUPPER ELEVATIONS  
RD-1 SCALE: 3/4"=1'-0"



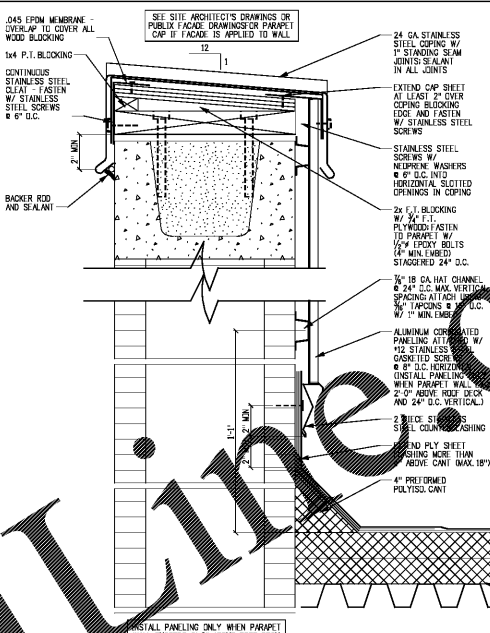
2 SCUPPER DETAIL  
RD-1 SCALE: 3/4"=1'-0"



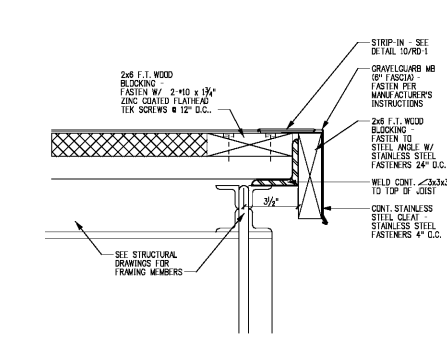
3 OVERFLOW SCUPPER DETAIL  
RD-1 SCALE: 3/4"=1'-0"



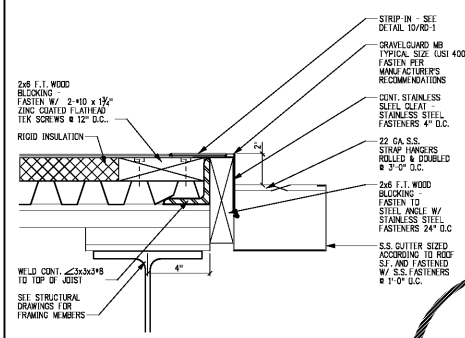
4 TYPICAL PARAPET DETAIL  
RD-1 SCALE: 3/4"=1'-0"



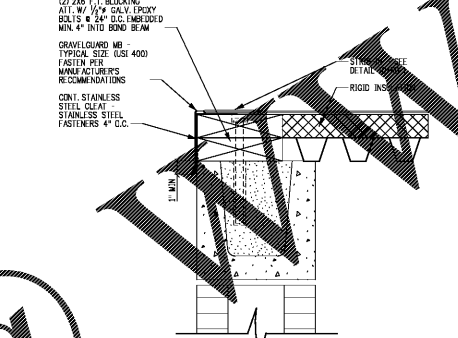
5 TALL PARAPET DETAIL  
RD-1 SCALE: 3/4"=1'-0"



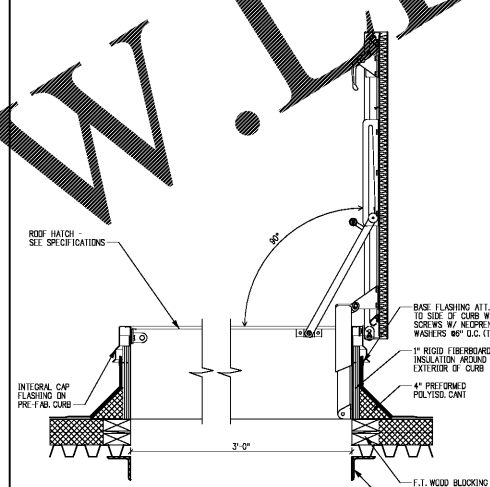
6 OPEN DOCK CANOPY EDGE DETAIL (WHERE APPLICABLE)  
RD-1 SCALE: 3/4"=1'-0"



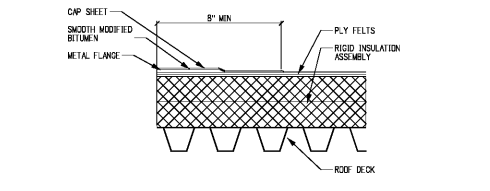
7 OPEN DOCK CANOPY GUTTER DETAIL (WHERE APPLICABLE)  
RD-1 SCALE: 3/4"=1'-0"



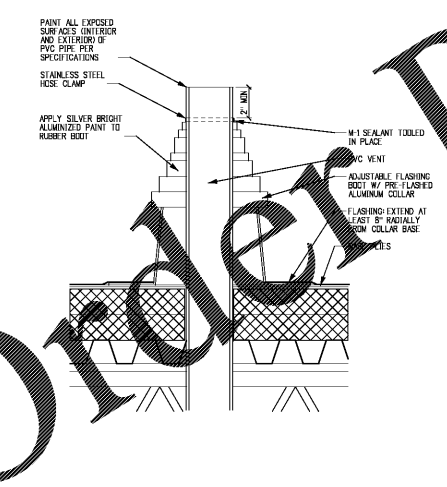
8 GRAVEL STOP DETAIL  
RD-1 SCALE: 3/4"=1'-0"



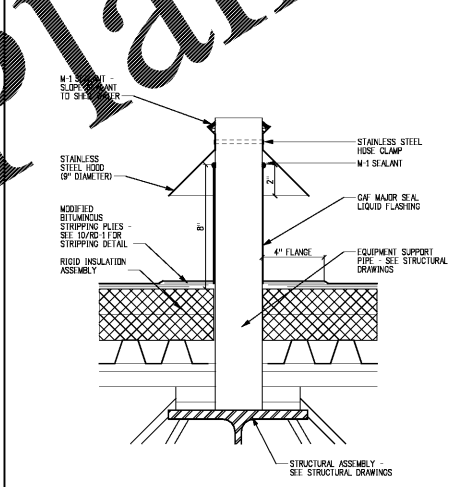
9 ROOF HATCH DETAIL  
RD-1 SCALE: 1/4"=1'-0"



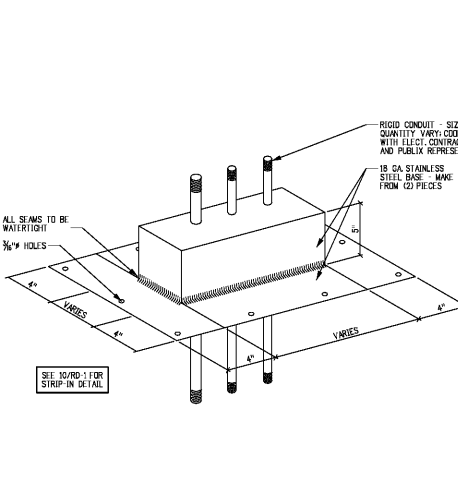
10 STRIP-IN DETAIL  
RD-1 SCALE: 3/4"=1'-0"



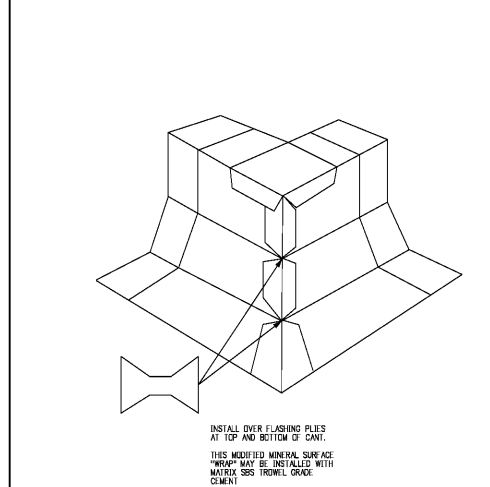
11 VENT/CONDENSATE DRAIN PENETRATION DETAIL  
RD-1 SCALE: 3/4"=1'-0"



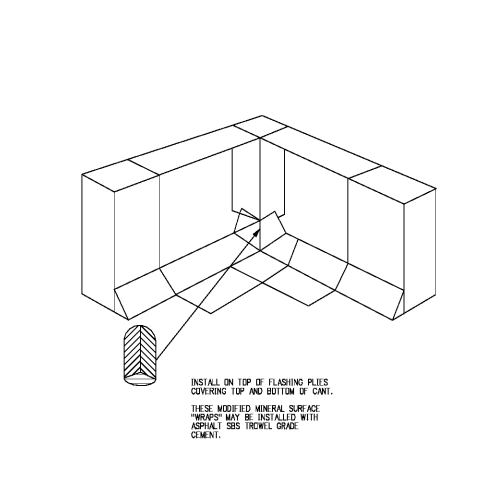
12 EQUIPMENT SUPPORT DETAIL  
RD-1 SCALE: 3/4"=1'-0"



13 PITCH PAN DETAIL  
RD-1 SCALE: 3/4"=1'-0"



14 OUTSIDE CORNER WRAP  
RD-1 SCALE: 3/4"=1'-0"



15 INSIDE CORNER WRAP  
RD-1 SCALE: 3/4"=1'-0"

**Publix.**  
SUPER MARKETS

CORPORATE OFFICES, FACILITIES DESIGN  
10040 LAKELAND, FL 32826  
TEL: 407.892.8274  
FACILITY ADDRESS: 3300 PALM CANYON BLVD  
LAKELAND, FL 32811-2111

**PUBLIX FACILITY DESIGN DEPARTMENT**  
DAVID  
ARCHITECT, P.E.  
FL REG. 48237  
GA REG. 48237  
AL REG. 48237  
NC REG. 48237  
VA REG. 48237

JOHN J. CARAMALLIS, PE  
MECHANICAL  
FL REG. 48237  
GA REG. 48237  
AL REG. 48237  
NC REG. 48237  
VA REG. 48237

PAUL C. HARMAN, PE  
STRUCTURAL  
FL REG. 48237  
GA REG. 48237  
AL REG. 48237  
NC REG. 48237  
VA REG. 48237

JOHN J. CARAMALLIS, PE  
MECHANICAL  
FL REG. 48237  
GA REG. 48237  
AL REG. 48237  
NC REG. 48237  
VA REG. 48237

ANTHONY CLEMENTI, PE  
MECHANICAL  
FL REG. 48237  
GA REG. 48237  
AL REG. 48237  
NC REG. 48237  
VA REG. 48237

RAYMOND J. SIRIANNI, PE  
ELECTRICAL  
FL REG. 48237  
GA REG. 48237  
AL REG. 48237  
NC REG. 48237  
VA REG. 48237

NORMAN MEIER, PE  
ELECTRICAL  
FL REG. 48237  
GA REG. 48237  
AL REG. 48237  
NC REG. 48237  
VA REG. 48237

© COPYRIGHT 2017  
THESE CONSTRUCTION DOCUMENTS ARE THE PROPERTY  
OF PUBLIX SUPER MARKETS, INC. AND ARE NOT TO BE  
REPRODUCED OR TRANSMITTED IN ANY FORM OR BY  
ANY MEANS, ELECTRONIC OR MECHANICAL, WITHOUT  
PERMISSION. THESE DOCUMENTS SHALL NOT BE  
USED FOR ANY OTHER PROJECT WITHOUT THE WRITTEN  
CONSENT OF PUBLIX SUPER MARKETS, INC.

THE SEALS INDICATED IN THESE CONSTRUCTION  
DOCUMENTS SHALL BE TO THE BEST OF MY KNOWLEDGE,  
TECHNICAL AND ETHICAL STANDARDS AS PER APPLICABLE  
PROVISIONS OF THE PROFESSIONAL ENGINEERING  
ACTING AS A CONSULTANT

PLOT DATE:  
25 AUG 2017

REVISION DATA:  
NO. DESCRIPTION  
DATE

1637  
PUBLIX @ LAKE CROSSING  
PLATT SPRINGS RD & HWY 6  
LEXINGTON, LEXINGTON, SC

**45.92**  
08/17/2017  
SIENNA - LITE

ROOFING DETAILS

SCALE: 1/8" = 1'-0"

**RD-1**

Order Plans @