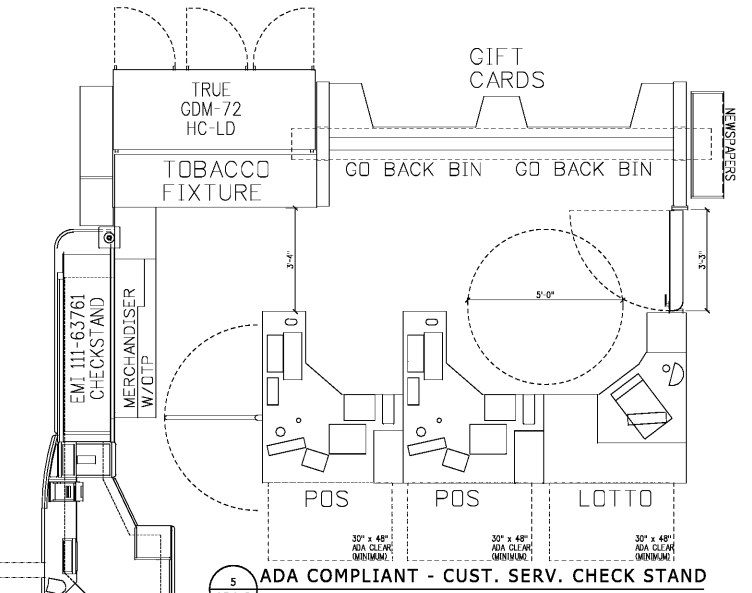
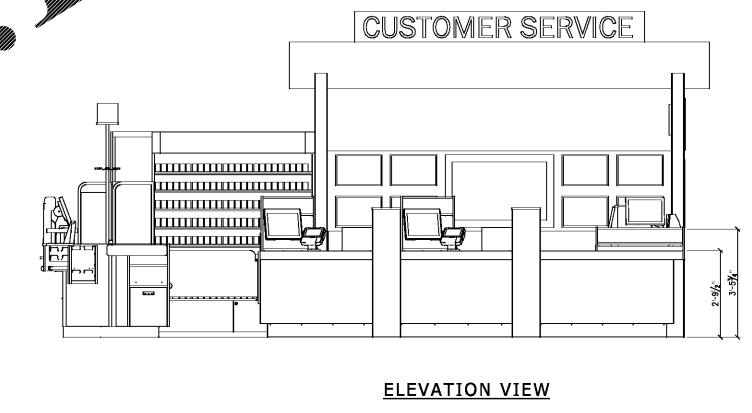
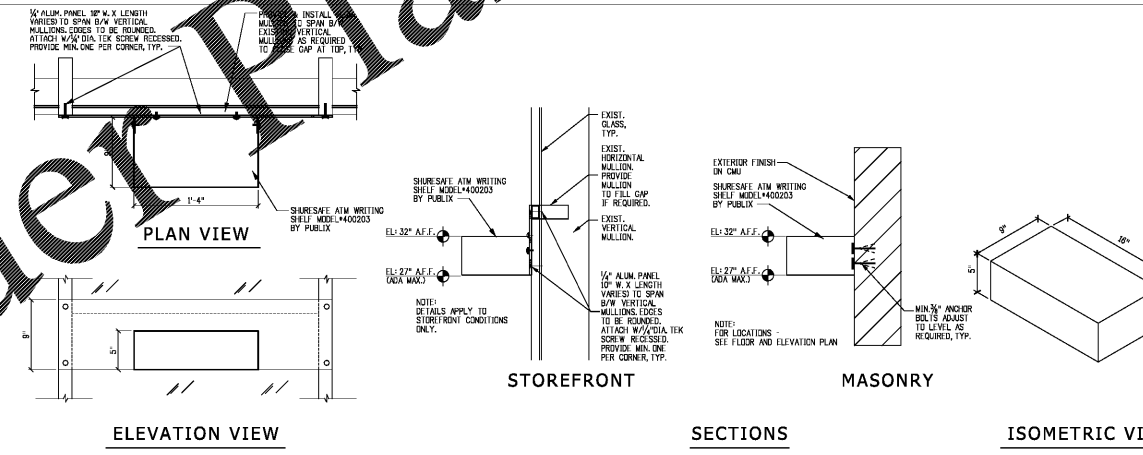
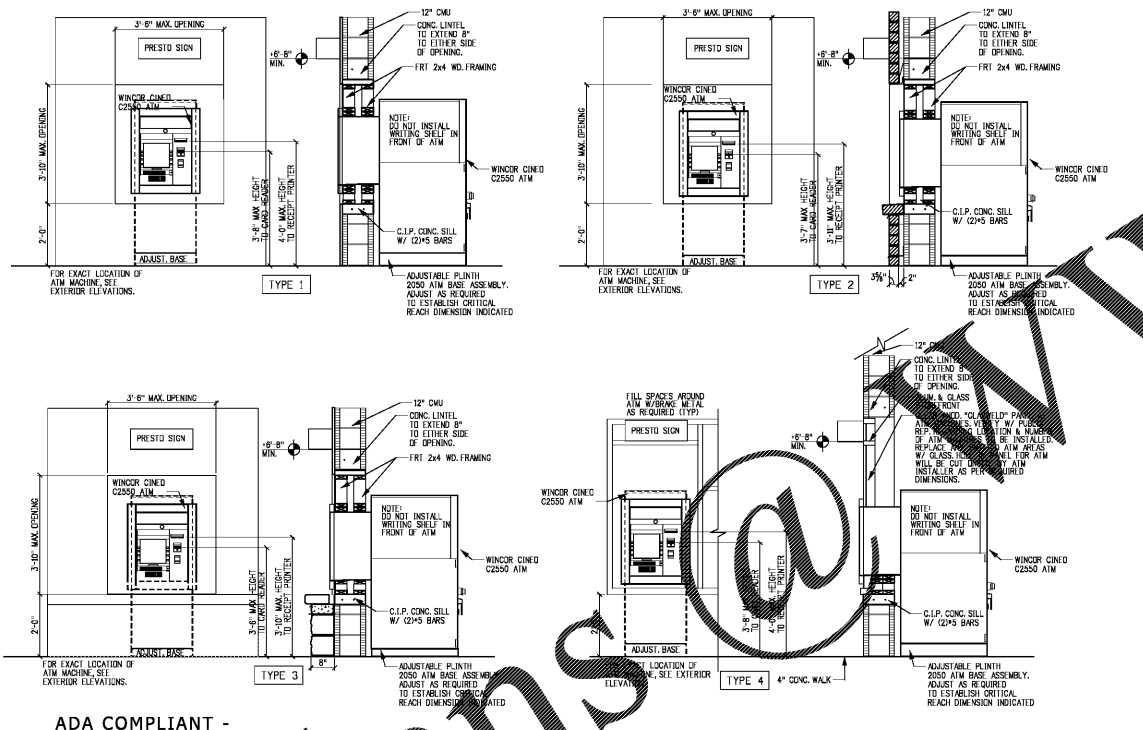
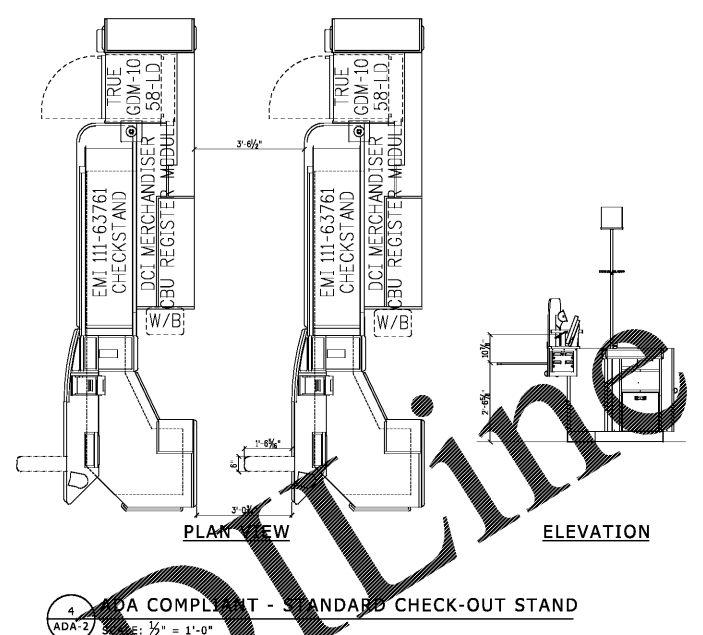
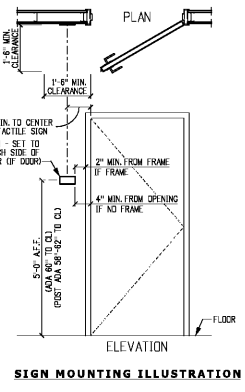


**SIGN SPECIFICATION:**  
SIGNS SUPPLIED AND INSTALLED BY PUBLIC.  
PANEL: 1/8" THICK ACRYLIC PANEL, BACKGROUND COLOR TO BE BRIGHT WHITE. SIGN LAYOUT AS DETAILED HEREON.  
COPY: 3/4" WHITE RAISED UNIT LESS THAN 1/4" ADA COMPLIANT LETTERING, PERMANENTLY MOUNTED TO FACI PANEL.  
GRAPHICS: WHITE RAISED UNIT LESS THAN 1/4" ADA COMPLIANT, UNIVERSAL SYMBOLS, PERMANENTLY MOUNTED TO FACI PANEL.  
BRAILLES: MODEL GRADE 2 WITH A DOT PATTERN OF 0.039 INCHES, IN BACKGROUND FACE PANEL.  
MOUNTING: SECURE SIGN TO WALL W/ VERY HIGH BOND, DOUBLE SIDED TAPE.

**SIGN NOTES:**  
1. SET PLANS FOR SIGN LOCATIONS AND QUANTITIES. NOTE THAT NOT ALL SIGNS MAY BE REQUIRED ON ALL PROJECTS.  
2. TYPICAL, UNLESS NOTED OTHERWISE. MOUNTING HEIGHT SHALL BE 5'-0" AFF TO THE CENTERLINE OF THE SIGN. SEE MOUNTING ILLUSTRATION THIS SHEET FOR ADDITIONAL INFORMATION.  
3. INSURE THAT SIGNS WITH DIRECTIONAL ARROWS ARE FURNISHED AND INSTALLED WITH THE ARROWS POINTING TOWARDS THE ACCESSIBLE AREA.  
4. NOTE THAT THE "BRAILLE TEXT" SHOWN ON THE ABOVE LAYOUTS IS FOR ILLUSTRATIVE PURPOSES ONLY. THE APPROPRIATE BRAILLE TEXT SHALL BE USED ON ALL ACTUAL SIGNS.  
5. WHEN INDICATING NON-ACCESSIBLE RESTROOM, PROVIDE SIGN B AND D WITH ADDITIONAL SIGN INDICATING LOCATION OF ACCESSIBLE RESTROOM, "1/0R REMOVAL ONLY."  
6. ALL THE ADA SIGNS NOTED WILL BE SUPPLIED AND INSTALLED BY PUBLIC. THE CODE NUMBERS FURNISHED ARE FOR CONSTRUCTION ASSOCIATES TO ORDER FROM PRINTING SERVICES. THE OTHERS ARE INVENTORIED IN FACILITY SERVICES AND INSTALLED BY THEIR STAFFS.  
7. SIGNS CONTAINING TACTILE CHARACTERS SHALL BE LOCATED ALONGSIDE THE DOOR AT THE LATCH SIDE SO THAT A CLEAR CLEAR SPACE OF 18 INCHES (450 MM) MINIMUM, CENTERED ON THE TACTILE CHARACTERS, IS PROVIDED BEYOND THE ARCH OF ANY DOOR SWING. (SEE SIGN MOUNTING ILLUSTRATION).  
WHERE THERE IS NO WALL SPACE AT THE LATCH SIDE OF THE DOOR, SIGNS SHALL BE LOCATED ON THE NEAREST ADJACENT VERTICAL SURFACE.



**Publix**  
SUPER MARKETS

CORPORATE OFFICES, FACILITIES DESIGN  
104 407 LAKELAND, N. 39002  
800.486.8274  
PHYSICAL ADDRESS  
3300 FARMER CORCORAN FREWAY  
LAKELAND, FL 32811  
PUBlix FACILITIES DESIGN DEPARTMENT  
DAVID  
ARCHITECT IN CHARGE  
FL REG. 15114  
AL REG. 15114  
NC REG. 15114  
VA REG. 15114  
JOHN J. CARMALIS, PE  
STRUCTURAL  
FL REG. 37760  
GA REG. 37760  
AL REG. 30882  
NC REG. 30882  
VA REG. 30882  
JOHN J. CARMALIS, PE  
MECHANICAL  
FL REG. 37760  
GA REG. 37760  
AL REG. 30882  
NC REG. 30882  
VA REG. 30882  
ANTHONY CLEMENTI, PE  
MECHANICAL  
FL REG. 37760  
GA REG. 37760  
AL REG. 30882  
NC REG. 30882  
VA REG. 30882  
RAYMOND J. SIRIANNI, PE  
ELECTRICAL  
FL REG. 37760  
GA REG. 37760  
AL REG. 30882  
NC REG. 30882  
VA REG. 30882  
NORMAN MEIER, PE  
ELECTRICAL  
FL REG. 37760  
GA REG. 37760  
AL REG. 30882  
NC REG. 30882  
VA REG. 30882  
© COPYRIGHT 2017  
TRC SYSTEMS, INC.

THESE CONSTRUCTION DOCUMENTS ARE THE PROPERTY OF PUBLIX SUPER MARKETS, INC. AND ARE NOT TO BE REPRODUCED OR TRANSMITTED IN ANY FORM OR BY ANY MEANS, ELECTRONIC OR MECHANICAL, INCLUDING PHOTOCOPYING, RECORDING, OR BY ANY INFORMATION STORAGE AND RETRIEVAL SYSTEM. WITHOUT PERMISSION, THESE DOCUMENTS SHALL NOT BE REPRODUCED OR TRANSMITTED IN ANY FORM OR BY ANY MEANS, ELECTRONIC OR MECHANICAL, INCLUDING PHOTOCOPYING, RECORDING, OR BY ANY INFORMATION STORAGE AND RETRIEVAL SYSTEM.

1637  
PUBlix @ LAKE CROSSING  
PLANT SPRINGS RD & HWY 6  
LEXINGTON, LEXINGTON, SC

**45.9.2**  
08/21/2017  
SIENNA - LITE

ADA COMPLIANT - STANDARD DETAILS

SCALE: AS NOTED

**ADA-2**

Order Plans