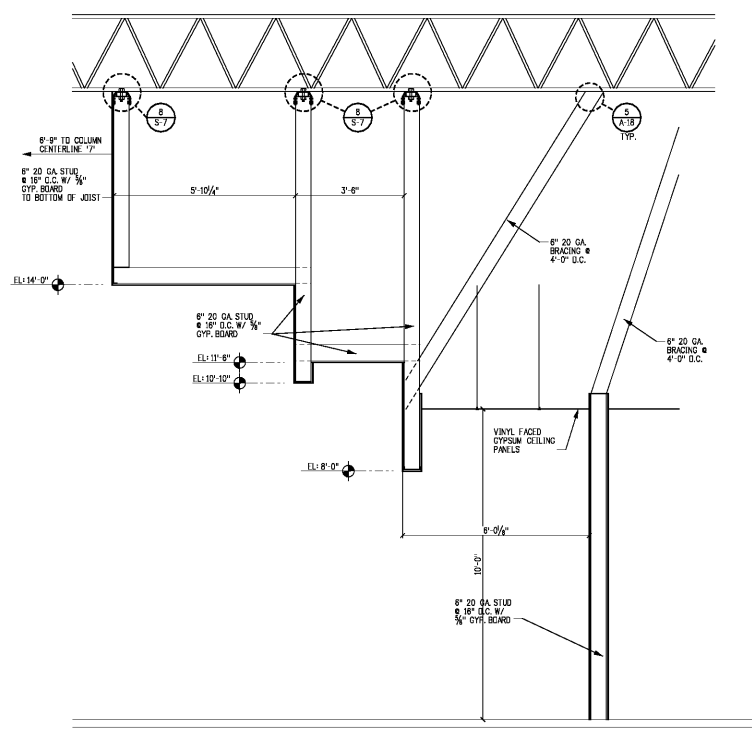
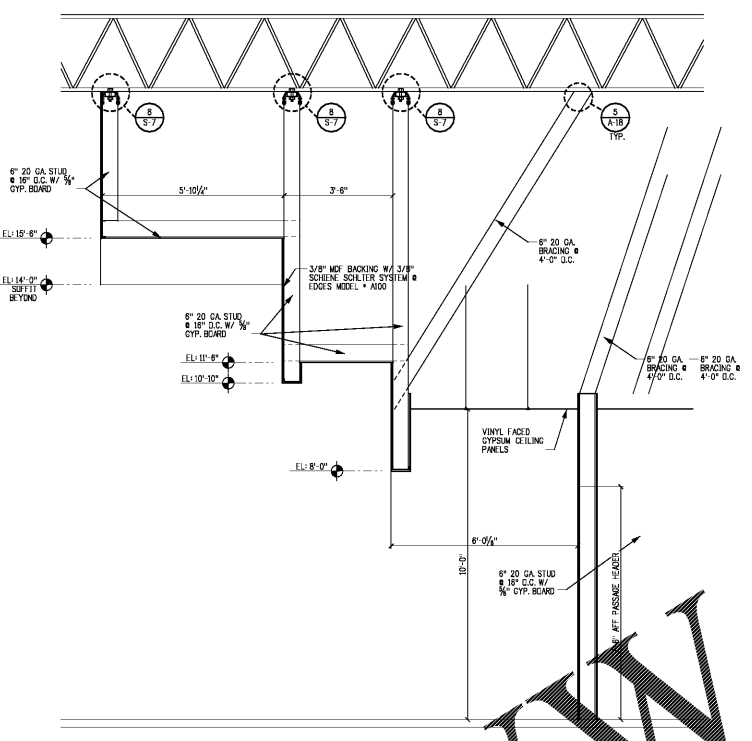


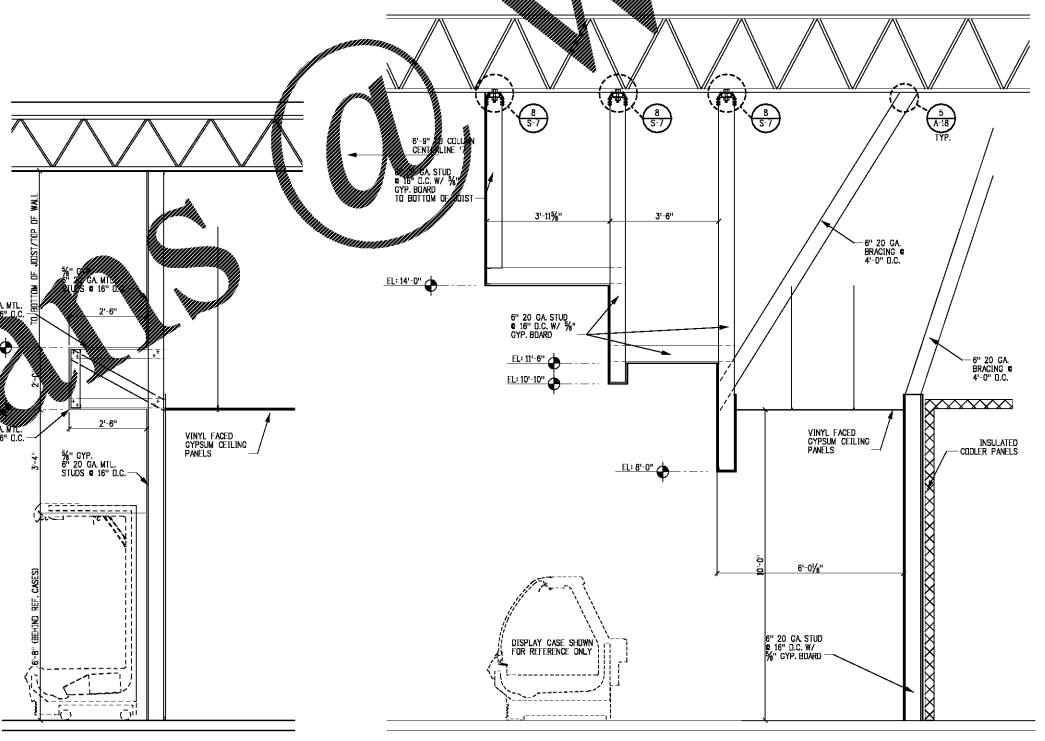
1 ENLARGED DELI PLAN
A-13 SCALE: 1/8" = 1'-0"



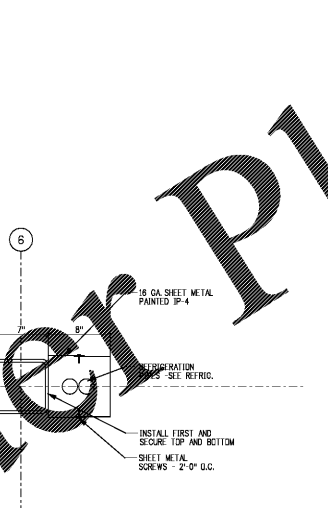
3 DELI SECTION
A-13 SCALE: 1/2" = 1'-0"



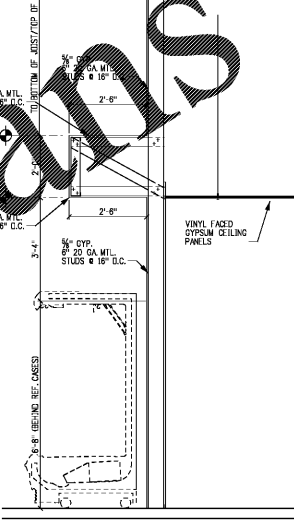
2 DELI SECTION
A-13 SCALE: 1/2" = 1'-0"



4 DELI SECTION
A-13 SCALE: 1/2" = 1'-0"



6 DELI SALES COLUMN DETAIL
A-13 SCALE: 1 1/2" = 1'-0"



5 WALL SECTION AT DELI / PRODUCE
A-13 SCALE: 1/2" = 1'-0"

FINISHES & COLORS LEGEND (SIENNA & SIENNA LITE)

001	INTERIOR PAINT	011	COOLER WALL/FREEZER PANEL FINISH
002	SHERWIN WILLIAMS SW 8022 PORTABELLO	012	COOLER WALL/FREEZER PANEL - BRUSHED ALUMINUM FINISH
003	SHERWIN WILLIAMS SW 0242 RUSSET GREEN	013	COOLER WALL/FREEZER PANEL - STAINLESS STEEL FINISH
004	(NOT USED)	014	COOLER WALL/FREEZER PANEL - WHITE FINISH
005	SHERWIN WILLIAMS SW 8019 ANTIQUE WHITE	015	COOLER WALL/FREEZER PANEL - EXISTING TO REMAIN
006	SHERWIN WILLIAMS SW 8874 JONQUIL		
007	SHERWIN WILLIAMS SW 6516 DOWN POUR	016	METAL FINISHES
008	(NOT USED)	017	STAINLESS STEEL
009	SHERWIN WILLIAMS SW 6431 LEAF FROG	018	EXISTING STAINLESS STEEL FINISH TO REMAIN
010	(NOT USED)	019	GALVANIZED STEEL
011	SHERWIN WILLIAMS SW 6716 DANCING GREEN		
012	SHERWIN WILLIAMS SW 6228 REFUGE	020	CERAMIC TILE
013	SHERWIN WILLIAMS SW 6206 OYSTER BAY	021	CERAMIC & FLOOR TILE PATTERN - SEE CORRESPONDING
014	SHERWIN WILLIAMS SW 6330 RED BAY	022	SHERWIN WILLIAMS SW 6206 OYSTER BAY
015	SHERWIN WILLIAMS SW 7069 IRON ORE	023	SHERWIN WILLIAMS SW 6330 RED BAY
016	SHERWIN WILLIAMS SW 8018 TATAMI TAN	024	EXISTING CERAMIC TILE TO REMAIN
017	(NOT USED)	025	NEW CERAMIC TILE TO MATCH EXISTING
018	SHERWIN WILLIAMS SW 6307 FINE WINE	026	WALL BASE
019	SHERWIN WILLIAMS SW 6340 BAKER CLAY	027	VINYL BASE - 6" COV'D "RANDOM" 48 BLEND OR EQUAL
020	SHERWIN WILLIAMS SW 6938 SAFETY RED	028	VINYL BASE - 4" COV'D MEDIUM GREY?
021	SHERWIN WILLIAMS ALKYO PRIMER	029	VINYL BASE - 6" COV'D MEDIUM GREY?
022	SHERWIN WILLIAMS SW 6254 LAZY GRAY	030	WOOD BASE - 4" MEDIUM GREY?
023	SHERWIN WILLIAMS SW 7006 EXTRA WHITE	031	NEW 6" WMA BASE
024	(NOT USED)	032	STAINLESS STEEL BASE - 6" COV'D
025	SHERWIN WILLIAMS SW 6001 ORNEM TAN	033	NEW BASE TO MATCH EXISTING ADJACENT
026	(NOT USED)		
027	(NOT USED)	034	MISCELLANEOUS
028	SHERWIN WILLIAMS SW 6515 LEISURE BLUE	035	ALL TOILET PARTITIONS TO BE:
029	SHERWIN WILLIAMS SW 6527 BLISSFUL BLUE	035a	SOUMBA "BROMCOP" OR
030	MATCH EXISTING ADJACENT COLOR	035b	GLOBAL "ORAN" OR
031	EXISTING PAINT COLOR TO REMAIN	035c	MELISSA/STAINLESS LINE OR
		035d	AMFAC "TRIFLEX"
032	PLASTIC LAMINATE	036	TONGUE AND GROOVE PLANKING -
033	(NOT USED)	036a	FINISH BY 1/2" WOOD 1/2" DOWN
034	(NOT USED)	036b	(UNGLAZED SOUTHERN FINISH) 3/4" WOOD FINISH "GOLDEN PEGON 245"
035	WILSONART ALUMINUM 6277 TYPE 418	037	(NOT USED)
036	WILSONART *7939K-18 "BLIND ECHO"	038	EXISTING WALL COVERING TO REMAIN
037	WILSONART *7939K-18 "ASIAN SUN"	039	QUARTZ RESIN SOLID SURFACE - CAMBRIA DISNEY
038	WILSONART *7299K-78 "NEPAL TEAK"	040	COLLETON, CHERYBROOK 3/8" THICK "MIRRO EDOG"
039	WILSONART *4672-80 "SAFIRON TORIS"	041	ACCENT MATERIAL PROVIDED BY PUBLIX SEE PUBLIX REPRESENTATIVE FOR MORE INFORMATION
040	WILSONART *4912-38 "GOLDEN MERID"	042	PAINTED PLYWOOD - SHERWIN WILLIAMS SW 6524 LAZY GRAY
041	WILSONART *4588-07 "KALAWARI TOPAZ"	043	SERVICE DEPARTMENT WALL VINYL ACCENT BAND BY PDX - SEE PUBLIX REPRESENTATIVE FOR MORE INFORMATION
042	WILSONART *7920K-18 "KALAWARI TOPAZ"		
043	WILSONART *7920K-18 "KALAWARI TOPAZ"		
044	NEW PLASTIC LAMINATE TO MATCH EXISTING		
045	EXISTING FRP PANELS TO REMAIN		
046	NEW FRP PANELS TO MATCH EXISTING		
047	ENERGLASS REINFORCED PLASTIC		
048	SIENNA "TERRACOTTA" FINISH - "ALUMINO"		
049	SIENNA "TERRACOTTA" FINISH - "SERRA"		
050	SIENNA "TERRACOTTA" FINISH - "SERENA"		
051	SIENNA "TERRACOTTA" FINISH - "SERENA"		
052	SIENNA "TERRACOTTA" FINISH - "SERENA"		
053	SIENNA "TERRACOTTA" FINISH - "SERENA"		
054	SIENNA "TERRACOTTA" FINISH - "SERENA"		
055	SIENNA "TERRACOTTA" FINISH - "SERENA"		
056	SIENNA "TERRACOTTA" FINISH - "SERENA"		
057	SIENNA "TERRACOTTA" FINISH - "SERENA"		
058	SIENNA "TERRACOTTA" FINISH - "SERENA"		
059	SIENNA "TERRACOTTA" FINISH - "SERENA"		
060	SIENNA "TERRACOTTA" FINISH - "SERENA"		
061	SIENNA "TERRACOTTA" FINISH - "SERENA"		
062	SIENNA "TERRACOTTA" FINISH - "SERENA"		
063	SIENNA "TERRACOTTA" FINISH - "SERENA"		
064	SIENNA "TERRACOTTA" FINISH - "SERENA"		
065	SIENNA "TERRACOTTA" FINISH - "SERENA"		
066	SIENNA "TERRACOTTA" FINISH - "SERENA"		
067	SIENNA "TERRACOTTA" FINISH - "SERENA"		
068	SIENNA "TERRACOTTA" FINISH - "SERENA"		
069	SIENNA "TERRACOTTA" FINISH - "SERENA"		
070	SIENNA "TERRACOTTA" FINISH - "SERENA"		
071	SIENNA "TERRACOTTA" FINISH - "SERENA"		
072	SIENNA "TERRACOTTA" FINISH - "SERENA"		
073	SIENNA "TERRACOTTA" FINISH - "SERENA"		
074	SIENNA "TERRACOTTA" FINISH - "SERENA"		
075	SIENNA "TERRACOTTA" FINISH - "SERENA"		
076	SIENNA "TERRACOTTA" FINISH - "SERENA"		
077	SIENNA "TERRACOTTA" FINISH - "SERENA"		
078	SIENNA "TERRACOTTA" FINISH - "SERENA"		
079	SIENNA "TERRACOTTA" FINISH - "SERENA"		
080	SIENNA "TERRACOTTA" FINISH - "SERENA"		

NOTES:

1. NOT ALL COLORS OR FINISHES MAY BE USED ON THIS PROJECTIVE.
2. FOR FLOOR FINISHES, SEE SHEET A-14.
3. INTERIOR PAINTS FOR SALES AREA WALL SURFACES ABOVE 6' ARE TO BE "FLAT" FINISH. ALL OTHER SURFACES TO BE SEMI-GLOSS SATIN FINISH.
4. APPLY BLOCK FILLER TO ALL MASONRY TO RECEIVE PAINT.
5. ALL SURFACES BEHIND CASES, WALK-IN COOLERS, OR FREEZERS SHALL USE 1/4" Gypsum BOARD OR BLOCK FILLER. ALL EXPOSED SURFACES ABOVE THE CASES, WALK-IN COOLERS OR FREEZERS SHALL ALSO RECEIVE THE FINISH CALL OF PAINT.
6. IN RECEIVING/STORAGE AREA, 2" WIDE, 0.5" SW 6903B SAFETY RED SHALL BE PAINTED AT HEIGHT OF 12'-0" (TOP OF LINE) ON WALLS WHERE STORAGE OCCURS ABOVE THIS LINE. THIS LINE IS STENCILLED, IN 3" CAPITAL LETTERS, "NO STORAGE ABOVE THIS LINE."
7. PAINT ALL EXPOSED UTILITY DEVICES SUCH AS PLUMBING LINES, REFRIGERATION LINES, ELECTRICAL CONDUIT, DUCTS AND COLUMNS TO MATCH ADJACENT WALL SURFACE, WHEN MORE THAN ONE COLOR IS USED ON WALL, MATCH COLOR CHANGES AT EXACT SAME HEIGHTS.

NOTE:
ALL GAS PIPING TO BE PAINTED SAFETY YELLOW

1637
PUBLIX LAKE CROSSING
PLATT SPRINGS RD & HWY 6
LEXINGTON, LEXINGTON, SC

45.92
05/21/2017
SIENNA - LITE

ENLARGED DELI PLAN,
WALL SECTIONS
AND DETAILS

SCALE: AS NOTED

A-13

Order Plans @ www.ldiOnline.com