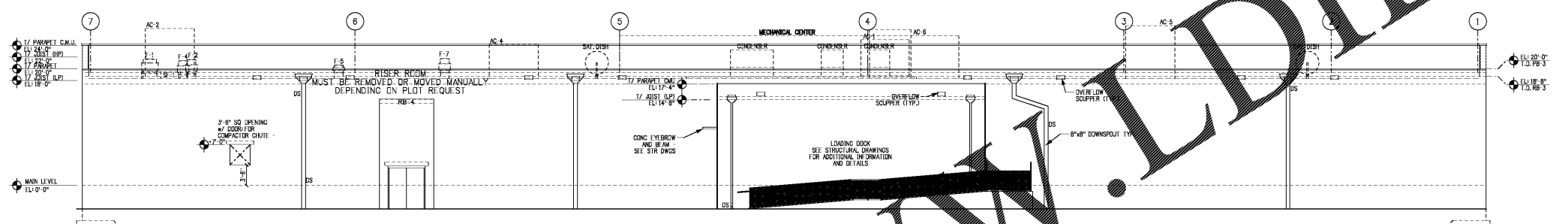
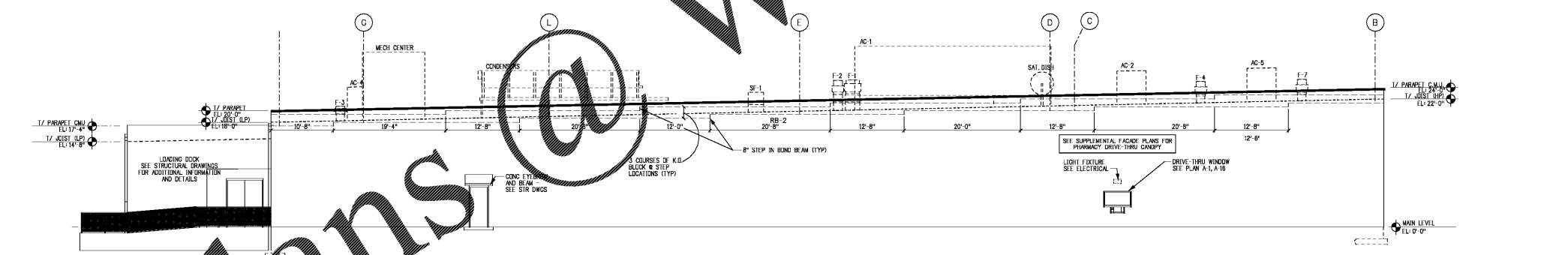


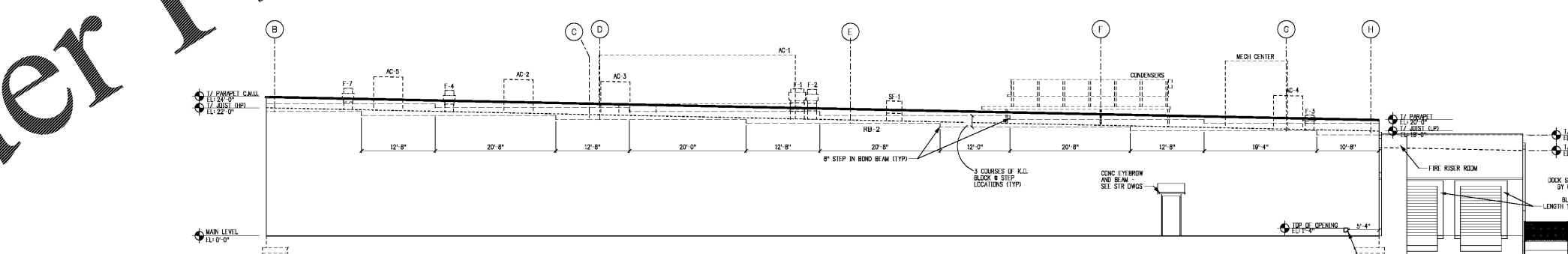
1 FRONT ELEVATION
SCALE: 1/8"=1'-0"



2 REAR ELEVATION
SCALE: 1/8"=1'-0"



3 SIDE ELEVATION
SCALE: 1/8"=1'-0"



4 SIDE ELEVATION
SCALE: 1/8"=1'-0"

DATE:	25 AUG 2017
REVISION DATA:	

1637
PUBLIX @ LAKE CROSSING
PLATT SPRINGS RD & HWY 6
LEXINGTON, LEXINGTON, SC

45.92
08/21/2017
SIENNA - LITE

EXTERIOR ELEVATIONS

SCALE: AS NOTED

A-7

www.LDLine.com

Order Plans @