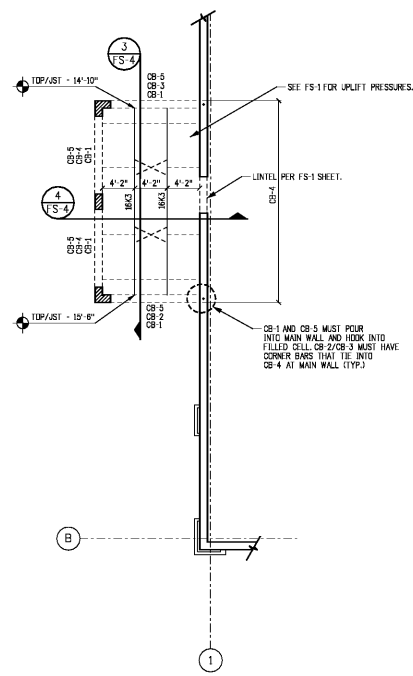
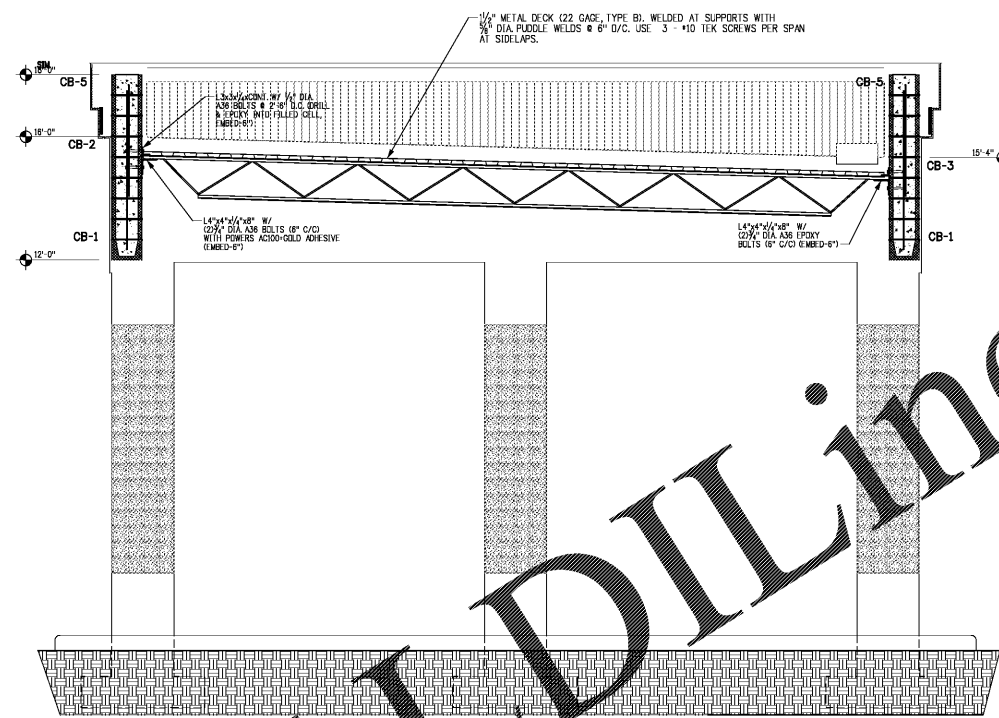


1 FOUNDATION PLAN
FS-4 SCALE: 1/4"=1'-0"



2 ROOF FRAMING PLAN
FS-4 SCALE: 1/4"=1'-0"



3 MOIST SECTION AT DRIVE THRU
FS-4 SCALE: 1/4"=1'-0"

FOUNDATION AND FRAMING PLAN NOTES

- DATUM ELEVATION +0'-0" (SEE S-1 FOR GRID ELEV.) UNLESS NOTED OTHERWISE.
- TOP OF FOOTINGS IS AT ELEVATION 2'-0" BELOW FINISHED FLOOR ELEVATION, EXCEPT AS NOTED (I.B.F.) ON PLAN. CHECK FOR STEP FOOTINGS ON S-1.
- CONCRETE SHALL HAVE THE FOLLOWING MINIMUM COMPRESSIVE STRENGTHS AT 28 DAYS:
 - FOOTINGS: FILLED CELLS BEAMS SLAB ON GRADE: 3000 PSI
 - SLAB ON GRADE: TO BE 4" THICK, REINFORCED WITH 1 LAYER OF #4-W4@14 W/IR. PROVIDE 1/2" WIDE x 1" DEEP SAWCUT CONTROL JOINTS AT 10'-0" x 10'-0" MAXIMUM GRID WIDE WITHIN 12 HOURS OF CONCRETE PLACEMENT.
- SOIL AT THE UNDERSIDE OF FOOTINGS SHALL BE INSPECTED AND APPROVED BY THE GEOTECHNICAL CONSULTANT PRIOR TO THE POURING OF FOOTINGS.
- PROVIDE BRIDGING FOR ALL DWIS IN ACCORDANCE WITH S-1 STANDARDS.
- SUBMIT SHOP AND ERECTION DRAWINGS FOR ALL STEEL FRAMING FOR REVIEW BY THE ENGINEER OF RECORD PRIOR TO FABRICATION OR ERECTION.
- JOIST SEATS SHALL BE 2 1/2" FOR THE DRIVE THRU CANOPY.
- SUBMIT SHOP AND ERECTION DRAWINGS FOR ALL REINFORCING STEEL FOR REVIEW BY THE ENGINEER OF RECORD PRIOR TO FABRICATION OR ERECTION.
- APPROVAL MUST BE OBTAINED FROM THE ENGINEER OF RECORD FOR ALL OPENINGS OTHER THAN THOSE SHOWN ON THE STRUCTURAL DRAWINGS.
- REFER TO GENERAL NOTES AND TYPICAL DETAILS ON SHEET S-7 FOR MORE INFORMATION.

LEGEND

- DENOTES ADDED #7 VERTICAL IN FILLED CELL WITH 3000 PSI GROUT AT LOCATIONS INDICATED ON THE PLANS. NOTE: DO NOT PLACE MORE THAN 2 VERTICAL BARS IN ANY ONE FILLED CELL. LOCATION, COORDINATE WITH FILLED CELL LOCATIONS INDICATED ON S-1 SHEET.
- ▨ DENOTES LOAD BEARING 12" CMU WALL WITH (3) #7 VERTICAL REINFORCEMENT IN FILLED CELLS 3000 PSI AS INDICATED ON THE PLANS, AND AT 24" O.C. FOR MASONRY OVER HEADS.

PAD FOOTING SCHEDULE

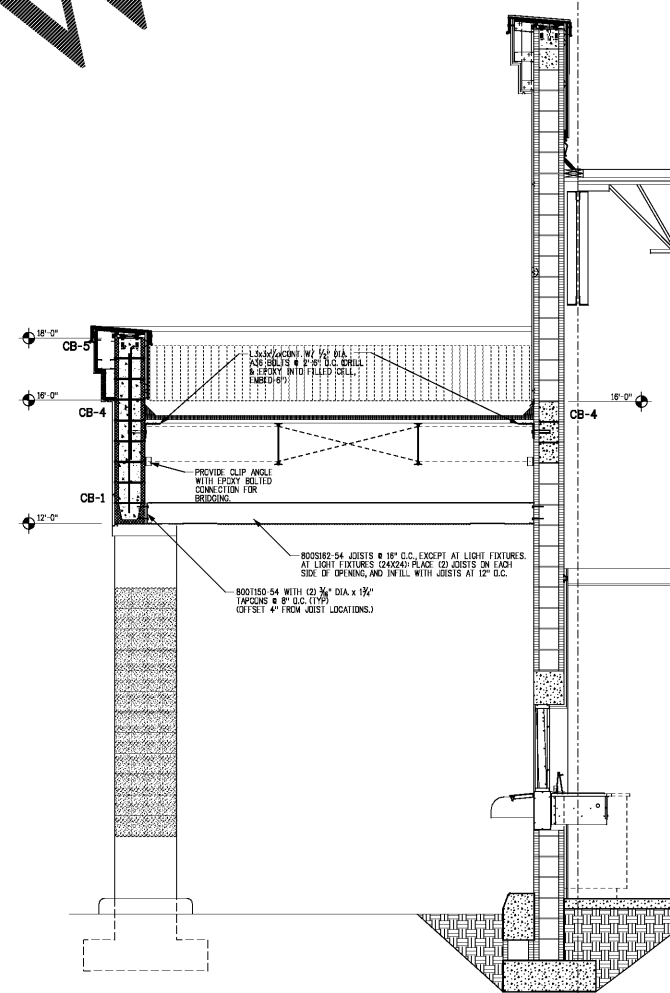
MARK	SIZE	DEPTH	REIN. EACH WAY	REMARKS
F-4	4'-0" x 4'-0"	12"	5 #5 BOT. 1	SOIL AT UNDERSIDE OF FOOTINGS SHALL BE INSPECTED AND APPROVED BY THE GEOTECHNICAL CONSULTANT PRIOR TO POURING OF FOOTINGS. 3000 PSI BEARING WALL.
F-3M-F	3'-0" x 4'-0"	12"	5 #5 BOT. (S/W) 4 #5 BOT. (L/W)	

WALL FOOTING SCHEDULE

MARK	SIZE	CONG. REINFORCING	TRANSVERSE	REMARKS
W-4	2'-0" x 12"	3 #5 BARS	#3 @ 4'-0" O.C.	REPLACES WALL FOOTING SHOWN ON S-1.
W-3	2'-6" x 12"	4 #5 BARS	#3 @ 4'-0" O.C.	

DRIVE THRU CANOPY BEAM (CB) SCHEDULE

BEAM	ELEV. TOP OF BEAM	SIZE (WxD)	REINFORCING (TOP)	STIRRUPS (NO. SPAC.)	REMARKS
CB-1	+13'-4"	12"x18"	2#5		MASONRY OR PRECAST
CB-2	+16'-0"	12"x18"	2#5		K.O. BLOCK COURSE (K)
CB-3	+15'-4"	12"x18"	2#5		K.O. BLOCK COURSE (K2)
CB-4	+16'-0"	12"x24"	2#5		2#5 # MASONRY BLOCK COURSE (K3)
CB-5	+18'-0"	12"x18"	2#5		MASONRY BLOCK COURSE



4 SECTION AT DRIVE THRU
FS-4 SCALE: 1/4"=1'-0"

PLOT DATE:
25 AUG 2017

REVISION DATA:

1637
PUBlix @ LAKE CROSSING
PLATT SPRINGS RD & HWY 6
LEXINGTON, LEXINGTON, SC

45.92
08/17/2017
SIENNA - LITE

PHARMACY
DRIVE-THRU
FOUNDATION AND
FRAMING PLANS

SCALE: AS NOTED

FS-4

Order Plans