

GENERAL NOTES:

SEDIMENT SHALL BE REMOVED AND TRAP RESTORED TO ITS ORIGINAL DIMENSIONS WHEN THE SEDIMENT HAS ACCUMULATED TO 1/2 THE DESIGN DEPTH OF THE TRAP. REMOVED SEDIMENT SHALL BE DEPOSITED IN A SUITABLE AREA AND IN SUCH A MANNER THAT IT WILL NOT ERODE.

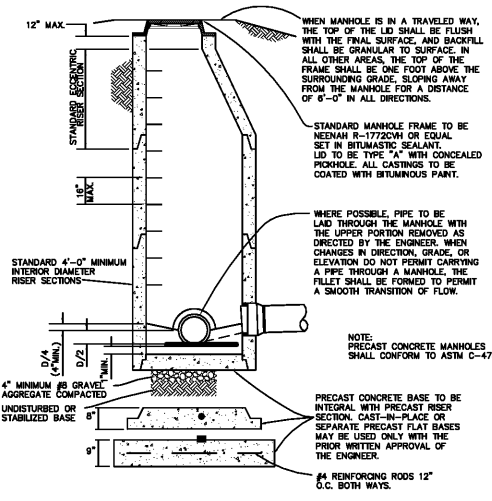
THE STRUCTURE SHALL BE INSPECTED AFTER EACH STORM EVENT BY THE FINANCIALLY RESPONSIBLE PARTY OR HIS AGENT AND REPAIRS MADE AS NECESSARY. CONSTRUCTION OPERATIONS SHALL BE CARRIED OUT IN SUCH A MANNER THAT EROSION AND WATER POLLUTION ARE MINIMIZED.

THE SEDIMENT TRAP SHALL BE REMOVED AND THE AREA STABILIZED WHEN THE DRAINAGE BASIN HAS BEEN PROPERLY STABILIZED.

SEE SILT FENCE DETAIL FOR SILT FENCE INSTALLATION.

SILT-BOX INLET PROTECTION DETAIL

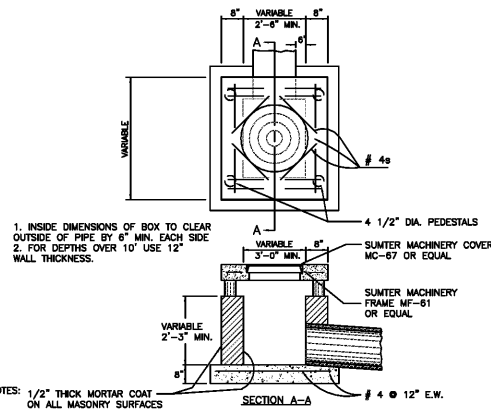
NTS



JUNCTION BOX DETAIL

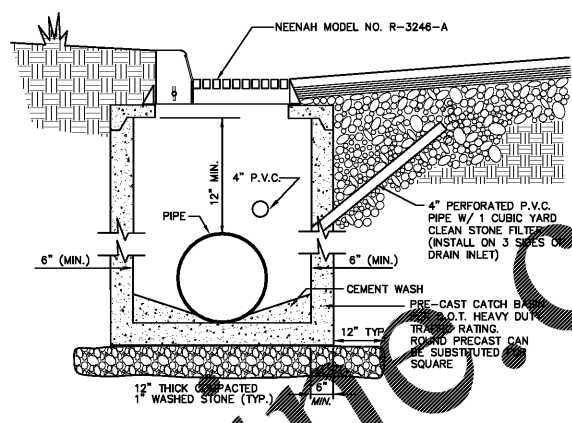
NTS

NOTE:
CATCH BASIN AND JUNCTION BOXES 4' DEEP OR GREATER SHALL HAVE METAL RUNGS FOR DESCENT AND ASCENT.

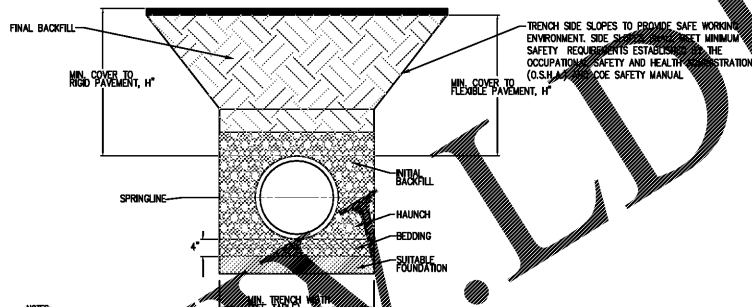


SLAB-TOP CATCH BASIN DETAIL

NTS



GRATE, FRAME & HOOD DETAIL



HDPE PIPE BEDDING DETAIL

NTS

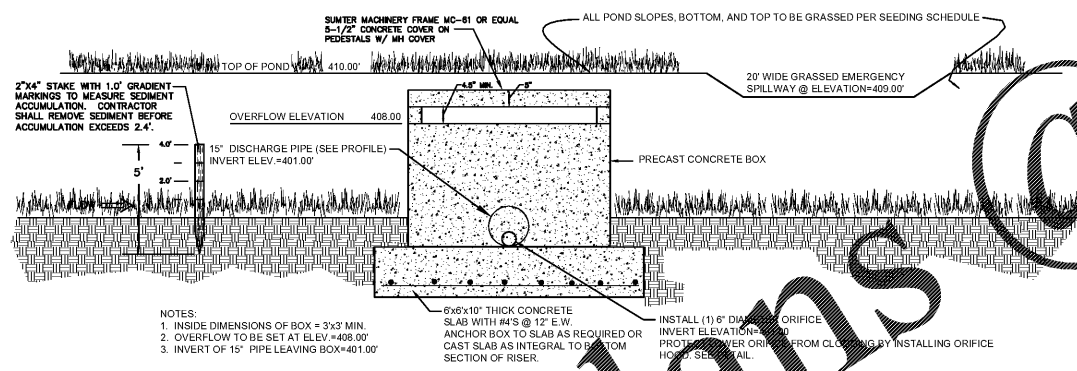
NOTES:

- ALL PIPE SYSTEMS SHALL BE INSTALLED IN ACCORDANCE WITH ASTM D2321, "STANDARD PRACTICE FOR UNDERGROUND INSTALLATION OF THERMOPLASTIC PIPE FOR SEWERS AND OTHER GRAVITY FLOW APPLICATIONS", LATEST EDITION.
- MEASURES SHOULD BE TAKEN TO PREVENT MIGRATION OF NATIVE FINES INTO BACKFILL MATERIAL, WHEN REQUIRED.
- FOUNDATIONS WHERE THE TRENCH BOTTOM IS UNSTABLE, THE CONTRACTOR SHALL EXCAVATE TO A DEPTH REQUIRED BY THE CONTRACTOR ON SITE TESTING REPRESENTATIVE AND REPLACE WITH SUITABLE MATERIAL AS AN ALTERNATIVE AND (1) AS DESCRIBED IN THE CONTRACTORS ON SITE TESTING REPRESENTATIVE, THE TRENCH BOTTOM MAY BE STABILIZED WITH A GEOTEXTILE.
- BACKFILLING: SUITABLE MATERIAL SHALL BE CLASS II OR III IN THE PIPE ZONE EXTENDING NOT LESS THAN 6" ABOVE GROUND SURFACE. THE CONTRACTOR SHALL PROVIDE DOCUMENTATION FOR MATERIAL SPECIFICATION TO ENGINEER. MATERIAL SHALL BE CALLED AS REQUIRED IN ASTM D2321, LATEST EDITION.
- MINIMUM COVER: MINIMUM COVER, H IN NON-TRAFFIC APPLICATIONS (GRASS OR LANDSCAPE AREAS) IS 12" FROM THE CONSTRUCTION EQUIPMENT LOADING.
- MINIMUM COVER: MINIMUM COVER, H IN NON-TRAFFIC APPLICATIONS (GRASS OR LANDSCAPE AREAS) IS 12" FROM THE CONSTRUCTION EQUIPMENT LOADING.

MINIMUM TRENCH WIDTHS	
PIPE DIA.	MIN. TRENCH WIDTH
4"	21"
6"	23"
8"	26"
10"	28"
12"	30"
15"	34"
18"	39"
24"	48"
30"	56"
36"	64"
42"	72"
48"	80"
54"	88"
60"	96"

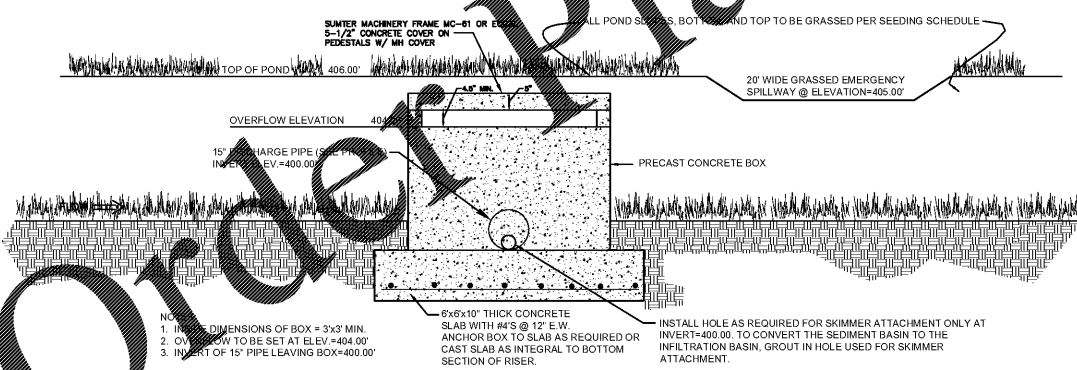
PIPE DIA.	SURFACE LIVE LOADING CONDITION	
	H-25	HEAVY CONSTRUCTION (75T AXLE LOAD) *
12" - 48"	24"	48"

* VEHICLES IN EXCESS OF 75T MAY REQUIRE ADDITIONAL COVER



OUTLET STRUCTURE DETAIL (OS1)

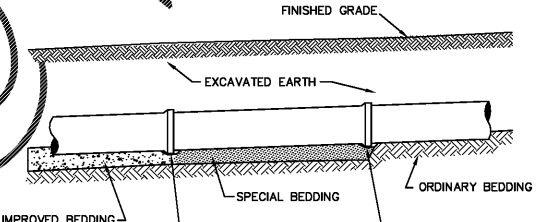
NTS



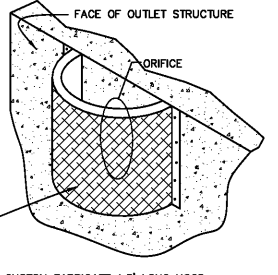
OUTLET STRUCTURE DETAIL (OS2)

NTS

NOTE:
ALL SEDIMENT AND EROSION CONTROL DEVICES, INCLUDING BAFFLES, SKIMMER, AND CLEANOUT STAKE TO BE REMOVED FOR COMPLETION OF THE PERMANENT INFILTRATION BASIN. CONTRACTOR SHALL REMOVE SEDIMENT FROM POND BOTTOM AND STABILIZE AS REQUIRED. ENSURE FINAL POND BOTTOMS HAVE 0% SLOPE.



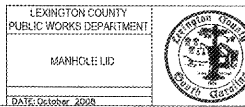
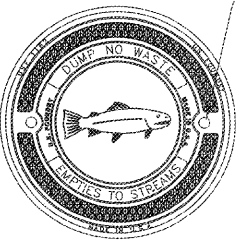
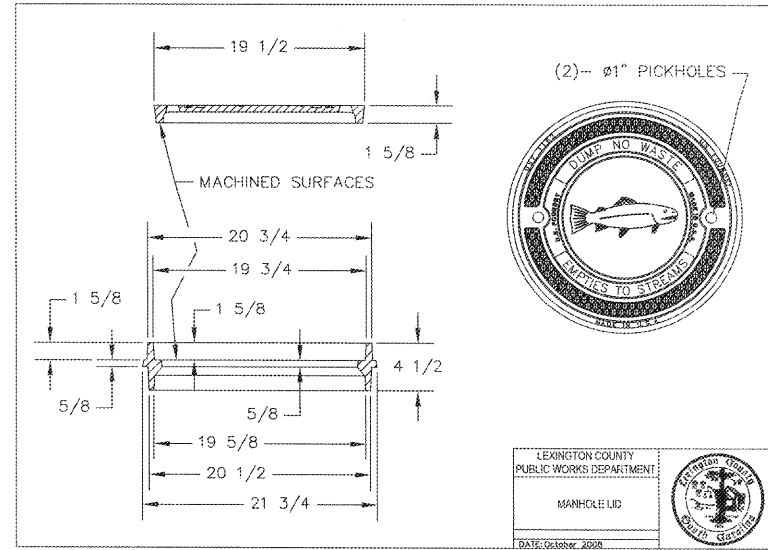
TRENCH DETAIL



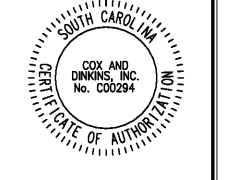
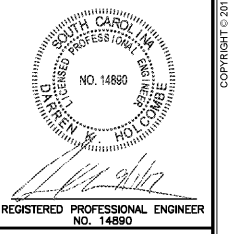
ORIFICE HOOD DETAIL

ATTACH AS SHOWN TO OUTSIDE OF OUTLET STRUCTURE OS1

NTS



AND DINKINS, INC.
BELTLINE BLVD.
COLUMBIA, SC 29205
803-254-0518
Fax: 803-765-0993
Email: cdinc@coxanddinkins.com



CERTIFICATE OF AUTHORIZATION SEAL

NO.	DATE	DESCRIPTION
1	3/22/2017	Revised to add additional sheets
2	4/19/2017	Revised Per Public & Utility company comments
3	7/7/2017	Revised Water and Sanitary Sewer
4	8/6/2017	Revised building footprint
5	9/11/2017	Bid Set

DEVELOPER:

Mr. Tom Murray
WindCrest Development Group
605 East Robinson St. Suite 340
Orlando, Florida 32751

(P) 407.219.3540
(F) 407.219.3541
tmurray@WINDCREST.COM

BID SET

Publix

South Lake Drive & Platt Springs Road
LOCATED NEAR RED BANK
LEXINGTON COUNTY, SOUTH CAROLINA

DETAILS

TMS 007600-02-005, 006, 013, 084, 095, 116	SF NO. 245-19A
BOOK N/A	SHEET NO. C30
PROJECT NO. 1920	DATE 3/15/2017
11 of 48	

Order Plans @ WINDCREST.COM