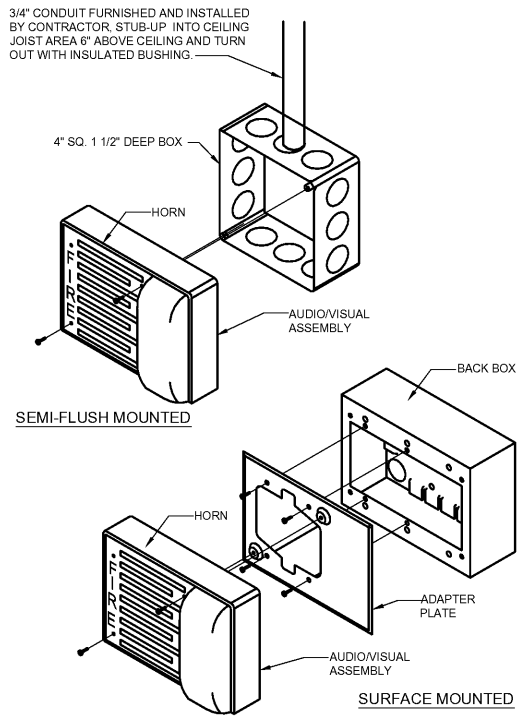
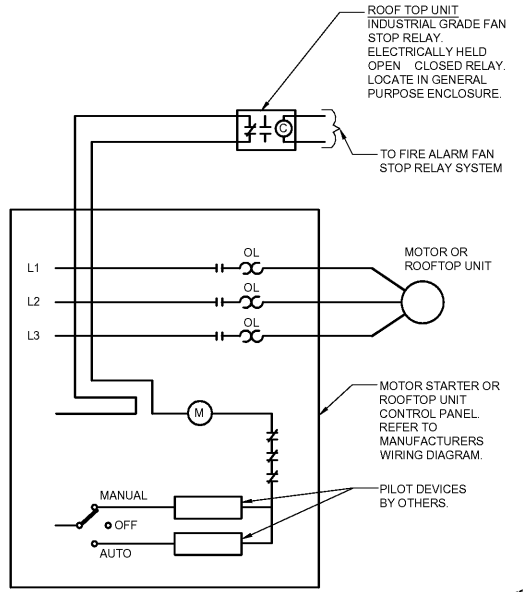


**1** TYPICAL MANUAL PULL STATION  
E7 SCALE: NONE



**2** FIRE ALARM AUDIO/VISUAL DETAIL  
E7 SCALE: NONE



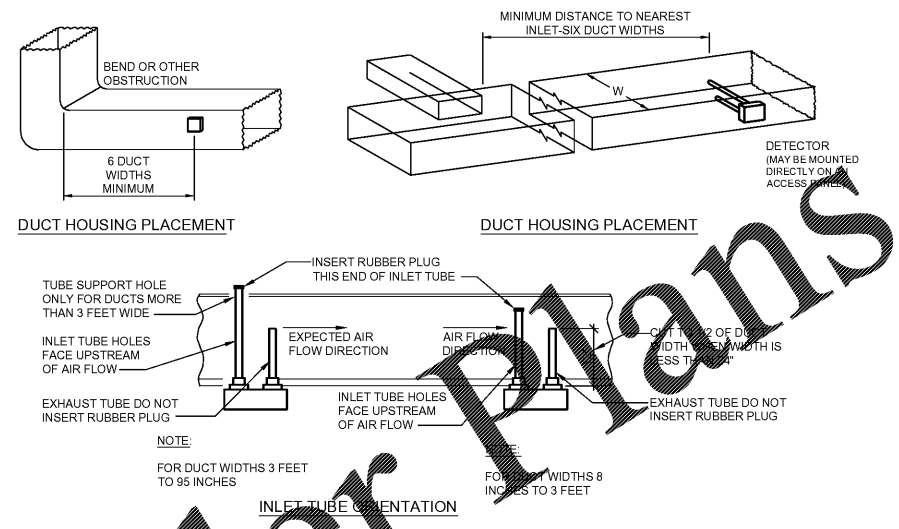
**3** MOTOR AND FIRE ALARM FAN STOP WIRING DIAGRAM  
E7 SCALE: NONE

### FIRE ALARM SYSTEM NOTES

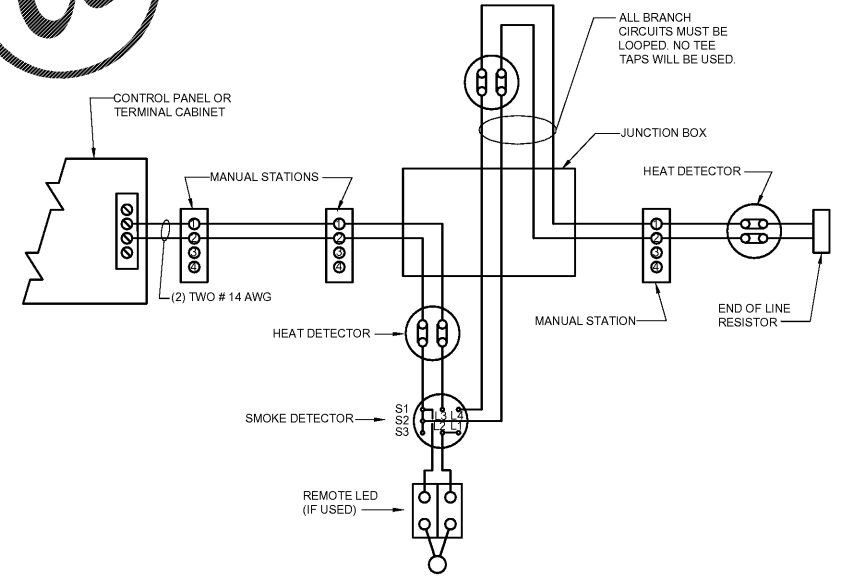
- 1) ALL ELECTRICAL WIRING SHALL BE INSTALLED IN STRICT ACCORDANCE WITH THE N.E.C. AND/OR LOCAL CODES HAVING JURISDICTION.
  - a. ALL WIRING SHALL BE ROUTED WITHIN APPROVED RACEWAY. ROUTE ALL CONDUIT CONCEALED IN FINISHED AREAS OF BUILDING. WHERE IMPOSSIBLE TO CONCEAL RACEWAY, PROVIDE WIRE MOLD AS DESCRIBED. (SEE PLAN NOTES FOR FURTHER INFORMATION)
    - 1) EXPOSED AREAS: PROVIDE CONDUIT RACEWAY INCLUDING ALL FITTINGS, BOXES, AND MISC. AS REQUIRED. PAINT AS DIRECTED BY ARCHITECT.
    - 2) CONCEALED (INACCESSIBLE AND ACCESSIBLE AREAS): PROVIDE CONDUIT AS REQUIRED. CONTRACTOR WILL BE RESPONSIBLE FOR PROPERLY SIZING ALL CONDUITS.
    - 3) ALL FIRE ALARM JUNCTION BOXES SHALL BE PAINTED RED AND LABELLED WITH BLACK LETTERS.
  - b. CONDUCTORS AND CONDUIT FILL WILL BE AS FOLLOWS:
    - 1) ALL HARDWIRED CIRCUITS WILL USE MINIMUM OF #14 GAUGE "RHN" UP TO #14, 1/2" C., 16 #14, 3/4" C., AND 30 #14, 1" C. ALL WIRING WIRE WILL BE INSULATED.
    - 2) FIRE ALARM CONTROL AND 120V, #12 AWG AND #10 AWG GROUND.
    - 3) INITIATING DEVICES WITH #14 AWG WIRE ONE (1) RED, ONE (1) BLACK. DO NOT EXCEED CIRCUIT CURRENT LIMITATIONS.
    - 4) NOTIFICATION APPLIANCE - #14 AWG PER CIRCUIT ONE (1) RED, ONE (1) BLUE. DO NOT EXCEED CIRCUIT LIMITATIONS.
    - 5) SLAVE FAN RELAY - #14 AWG BLUE WIRES FROM FIRE ALARM CONTROL PANEL TO FAN RELAY.
  - c. ALL WIRING WILL BE NEW AND IN ACCORDANCE WITH SUPPLIERS WIRING DIAGRAMS AND AS NOTED BELOW.
    - 1) FIRE ALARM CONTROL AND 120V, #12 AWG AND #10 AWG GROUND.
    - 2) INITIATING DEVICES WITH #14 AWG WIRE ONE (1) RED, ONE (1) BLACK. DO NOT EXCEED CIRCUIT CURRENT LIMITATIONS.
    - 3) NOTIFICATION APPLIANCE - #14 AWG PER CIRCUIT ONE (1) RED, ONE (1) BLUE. DO NOT EXCEED CIRCUIT LIMITATIONS.
    - 4) SLAVE FAN RELAY - #14 AWG BLUE WIRES FROM FIRE ALARM CONTROL PANEL TO FAN RELAY.
  - d. ALL FIRE ALARM NOTIFICATION AND INITIATING CIRCUITS WILL BE SUPERVISED. PROVIDE END OF LINE RESISTORS FOR HARDWIRED CIRCUITS AS REQUIRED.
    - 1) SEE FIRE ALARM DETAILS AND SPECIFICATIONS FOR ADDITIONAL WIRING AND RACEWAY REQUIREMENTS.
- 2) CONTRACTOR TO PROVIDE CONDUIT AND WIRING FROM FIRE ALARM CONTROL PANEL TO TELEPHONE TERMINAL CABINET FOR CENTRAL STATION TIE. COORDINATE REQUIREMENTS WITH AUTHORITY HAVING JURISDICTION AND PROVIDE AS REQUIRED. ALL REQUIRED TELEPHONE LINES SHALL BE ARRANGED FOR BY OWNER.
- 3) ALL FIRE ALARM DEVICES (i.e. AUDIOVISUAL, VISUAL, PULL STATIONS) WILL BE MOUNTED AT HEIGHT AS SHOWN ON SYMBOL LIST.
- 4) PROVIDE CITY TIE CONNECTION AS REQUIRED BY AUTHORITY HAVING JURISDICTION. VERIFY REQUIREMENTS.
- 5) PROVIDE ZONE ADAPTER MODULES AS REQUIRED IN FINISHED AREAS. INSTALL MODULES ABOVE LAY-IN CEILING UNLESS OTHERWISE NOTED. ALL INITIATING DEVICES SHALL BE ASSIGNED TO A SEPARATED ZONE OR ADDRESS AS INDICATED ON SHOP DRAWINGS.
- 6) PROVIDE NOTIFICATION APPLIANCE CIRCUIT POWER EXTENDERS AS REQUIRED TO ACCOMMODATE EXCESSIVE LOADS OR DISTANCES. LOCATE AS REQUIRED TO PREVENT VANDALISM AND TAMPERING. PROVIDE 120V CIRCUIT AS REQUIRED. VERIFY REQUIREMENTS IN FIELD.
- 7) EACH AIR HANDLING SUPPLY DUCT WILL HAVE A DUCT DETECTOR AND FAN STOP RELAY TO STOP FAN ON ANY FIRE ALARM. ALL FANS TO BE RESET FROM FIRE ALARM CONTROL PANEL.

### GENERAL PLAN NOTES

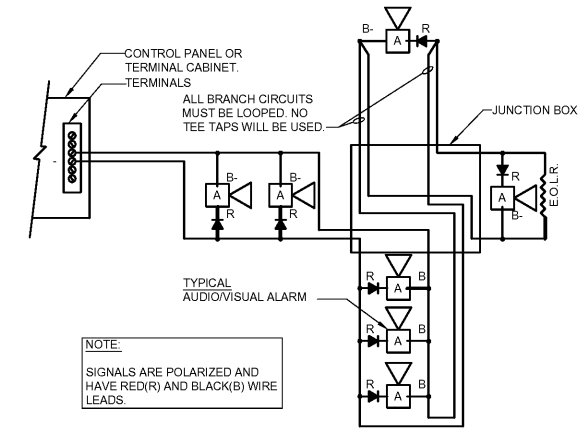
- CONTRACTOR SHALL EXECUTE ALL WORK NECESSARY FOR A COMPLETE AND OPERATIONAL FIRE ALARM SYSTEM PER APPLICABLE NATIONAL AND LOCAL CODES, AND AS REQUIRED BY THE AHJ AND BY THE CLIENT/OWNER OF THE FACILITY.
- THE CONTRACTOR IS RESPONSIBLE FOR ALL DESIGN WORK, WIRING AND CALCULATIONS FOR A COMPLETE INSTALLATION.



**4** TYPICAL DUCT SMOKE DETECTOR DETAILS  
E7 SCALE: NONE



**5** TYPICAL SUPERVISED ZONE WIRING DIAGRAM  
E7 SCALE: NONE



**6** TYPICAL SUPERVISED SIGNAL WIRING DIAGRAM  
E7 SCALE: NONE

Professional Engineer of Record  
Randall A. Nelson, P. E.  
148 West 95th Street  
Lenexa, Kansas 66215  
Phone 913 322 5150

**Firestone**  
COMPLETE AUTO CARE

THIS DRAWING IS THE PROPERTY OF BRIDGESTONE RETAIL OPERATIONS, LLC AND IS LOANED TO THE EXPRESS COHORTION THAT IT IS NOT TO BE USED IN ANY WAY DIBLE TO THE INTERESTS OF BRIDGESTONE RETAIL OPERATIONS, LLC. THE ACCEPTANCE OF THIS DRAWING WILL BE CONSIDERED AS AN ACCEPTANCE OF THE FOREGOING CONDITION AND AS SUBJECT TO THE BRIDGESTONE COMPLETE AUTO CARE TERMS AND CONDITIONS.

**NEW FCAC STORE**  
2015 - JUNE - ER - RIGHT  
1900 RICHMOND ROAD  
WILLIAMSBURG, VA

COMMONWEALTH OF VIRGINIA  
RANDALL A. NELSON  
No. 43229  
08/08/17

ISSUE BLOCK	

PROPERTY NO.: 167739  
6 DIGIT NO.: 785533  
4 DIGIT NO.: 6868  
AOR PROJECT NUMBER: 1655814  
TO PERMIT: DATE: 08/10/17  
TO BID: DATE: TBD  
DRAWN BY: ZS,MJ,RC  
CHECKED BY: CF,AR

SHEET TITLE:  
**FIRE ALARM NOTES AND DETAILS**  
SHEET NUMBER:  
**FA2**