

Professional Engineer of Record
 Randall Nelson, P. E.
 148 West 95th Street
 Lenexa, Kansas 66215
 Phone 913 322 5150

Firestone
 COMPLETE AUTO CARE

REPRODUCTION OF THIS DRAWING IS THE PROPERTY OF BRIDGESTONE RETAIL OPERATIONS, LLC AND IS LOANED TO THE EXPRESS CONDITION THAT IT IS NOT TO BE USED IN ANY WAY DEVIATING FROM THE INTERESTS OF BRIDGESTONE RETAIL OPERATIONS, LLC. THE ACCEPTANCE OF THIS DRAWING WILL BE CONSIDERED AS AN ACCEPTANCE OF THE FOREGOING CONDITION AND AS A WAIVER TO THE FOREGOING CONDITION IN FAVOR OF BRIDGESTONE RETAIL OPERATIONS, LLC.

NEW FCAC STORE
 2015 - JUNE - ER - RIGHT
 1900 RICHMOND ROAD
 WILLIAMSBURG, VA

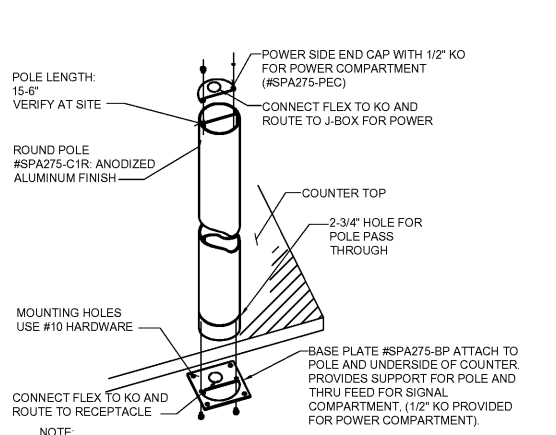
COMMONWEALTH OF VIRGINIA
 RANDALL A. NELSON
 No. 43229
 08/08/17

ISSUE BLOCK

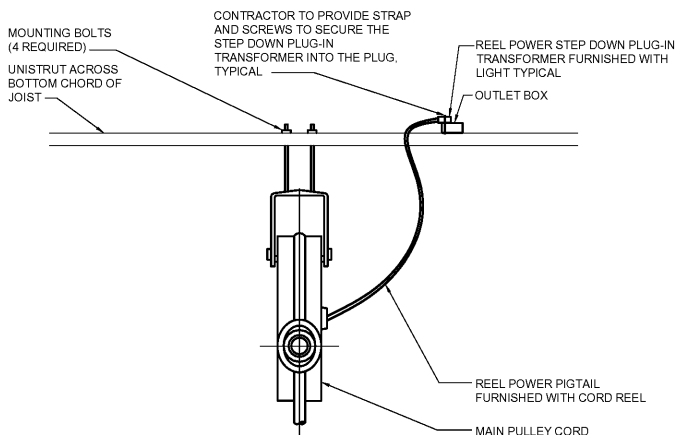
PROPERTY NO.: 167739
 6 DIGIT NO.: 785533
 4 DIGIT NO.: 6868
 AOR PROJECT NUMBER: 1655B14
 TO PERMIT: DATE: 08/10/17
 TO BID: DATE: TBD
 DRAWN BY: ZS,MJ,RC
 CHECKED BY: CF,AR

SHEET TITLE:
ELECTRICAL DETAILS

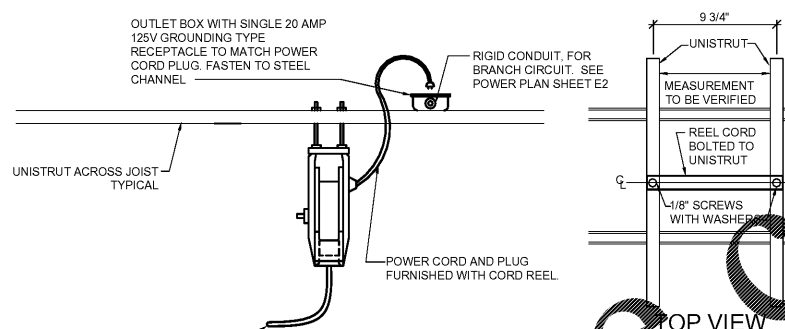
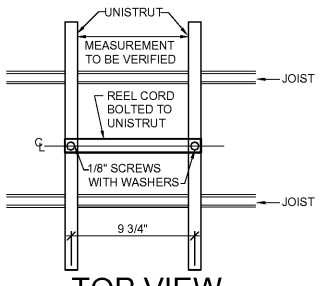
SHEET NUMBER:
E4



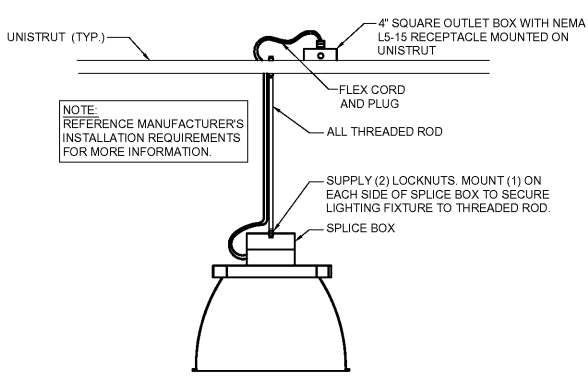
1
 E4
PHONE/DATA/POWER POLE DETAIL
 SCALE: NONE



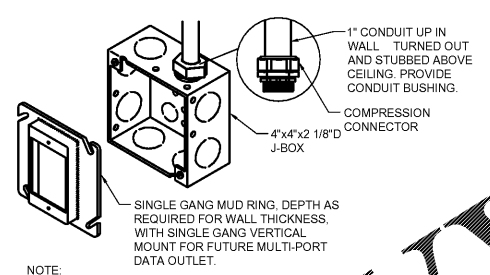
2
 E4
CORD REEL LIGHT DETAIL
 SCALE: NONE



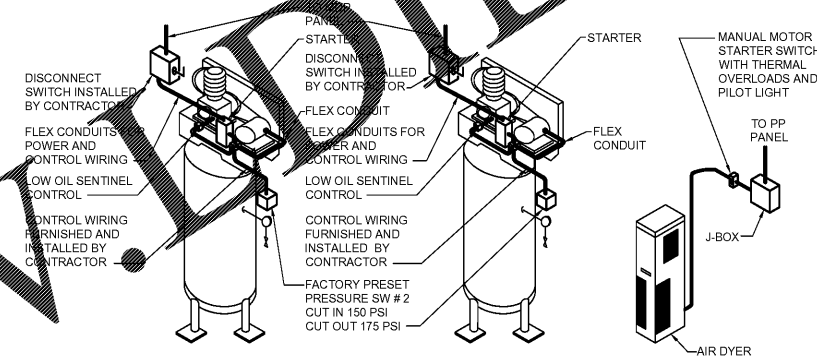
3
 E4
HEAVY DUTY CORD REEL DETAIL
 SCALE: NONE



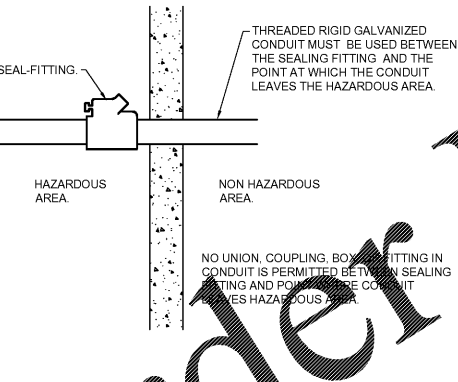
4
 E4
TYPICAL LIGHT TYPE 'F' MOUNTING DETAIL
 SCALE: NONE



5
 E4
TYPICAL MUD RING JUNCTION BOX DETAIL
 SCALE: NONE



6
 E4
VERTICAL AIR COMPRESSOR DETAIL
 SCALE: NONE

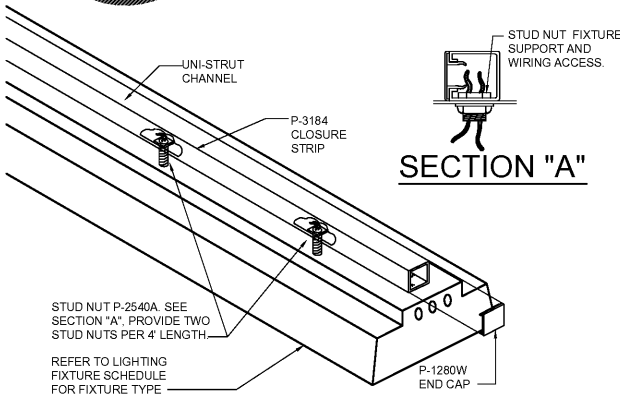


7
 E4
SEALING FITTING DETAIL
 SCALE: NONE

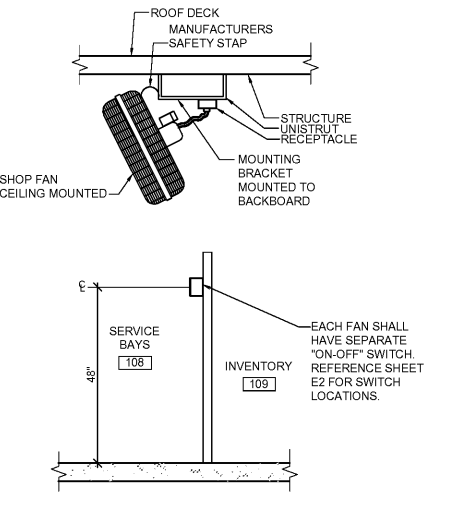
HAZARDOUS AREA NOTES:

- ELECTRICAL INSTALLATION IN AREA DESIGNATED SHALL FOLLOW ALL RULES AND ORDINANCES, LOCAL ELECTRICAL CODE AND FEDERAL AREA DESIGNATIONS CLASS DIVISION.
- ALL CONDUIT ROUTE WITHIN OR THROUGH A CLASS 1, DIVISION 2 AREA SHALL BE THREADED RIGID GALVANIZED CONDUIT.
- ALL HAZARDOUS SECTIONS SHALL BE ACCESSIBLE.
- BOXES, FITTINGS, AND JOINTS ARE NOT REQUIRED TO BE EXPLOSION PROOF EXCEPT WHEN EXPLOSION PROOF ENCLOSURES ARE REQUIRED BECAUSE THEY CONTAIN CONTROL DEVICES, CIRCUIT BREAKERS, MOTOR STARTERS, ALARMS, OR OTHER SIMILAR DEVICES THAT HAVE MAKE-AND-BREAK CONTACTS.
- WHERE POSSIBLE, THE ELECTRICAL CONTRACTOR SHALL INSTALL ALL DEVICES AND ROUTE ALL CONDUIT OUTSIDE OF THE DEFINED HAZARDOUS AREA.

NO UNION, COUPLING, BOX OR FITTING IN CONDUIT IS PERMITTED BETWEEN SEALING FITTING AND POINT WHERE CONDUIT ENTERS HAZARDOUS AREA.



8
 E4
TYPICAL LIGHT FIXTURE MOUNTING DETAIL
 SCALE: NONE



9
 E4
TYPICAL FAN CEILING MOUNTING DETAIL
 SCALE: NONE

Aug. 08, 2017 - 3:37pm - USER: ryanmccracker
 S:\Bridgestone-Firestone (Engineering)\1720255 BSRO - Williamsburg, VA Sheets\E4 ELECTRICAL DETAILS.dwg

Order Plans @