

### PLUMBING FIXTURE LOAD SCHEDULE

PLUMBING FIXTURE	QTY	FIXTURE UNITS				REMARKS
		DFU	TOTAL DFU	WSFU EACH	TOTAL WSFU	
WATER CLOSET	2	4	8	5	10	TANK
LAVATORY	2	1	2	2	4	
MOP BASIN	1	2	2	3	3	
SERVICE SINK	2	2	4	3	6	
FLOOR DRAIN	5	2	10	---	---	
HOSE BIBB	2	---	---	5	10	
WATER COOLER	2	1/2	1	0.25	0.5	
<b>TOTALS</b>			<b>27</b>		<b>33.5</b>	

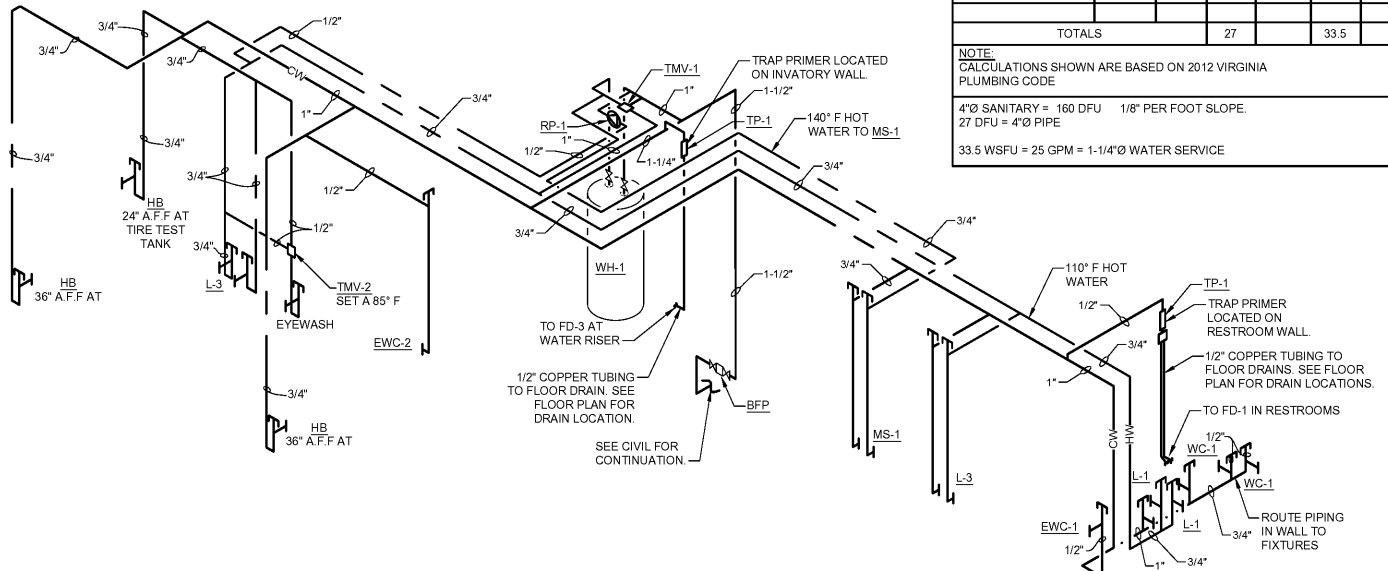
**NOTE:**  
 CALCULATIONS SHOWN ARE BASED ON 2012 VIRGINIA PLUMBING CODE  
 4"Ø SANITARY = 160 DFU 1/8" PER FOOT SLOPE.  
 27 DFU = 4"Ø PIPE  
 33.5 WSFU = 25 GPM = 1-1/4"Ø WATER SERVICE

### PLUMBING FIXTURE AND PIPING CONNECTION SCHEDULE

TAG	DESCRIPTION	MANUFACTURER MODEL	SIZE	VALVE/ FAUCET	CONNECTIONS			REMARKS	
					DRAIN	VENT	C.W.		H.W.
WC-1	WATER CLOSET FLOOR MTD. FLUSH TANK	AMERICAN STANDARD #2467.016	ELONGATED	INTEGRAL WITH TANK	4	2	1/2		MOUNT 18" A.F.F. HANDICAP
L-1	LAVATORY HANDICAP-CENTERSET	AMERICAN STANDARD #0124.024	20"X18" VITREOUS CHINA	CHICAGO FAUCET 802-V317CP	1 1/2	1 1/2	1/2	1/2	MOUNT 34" A.F.F. HANDICAP 0.5 GPM AERATOR - CHICAGO FAUCET - E2805JKCP
L-2	LAVATORY HANDICAP-CENTERSET	ELKAY ELW02219CS	22"X19" STAINLESS STEEL	CHICAGO FAUCET 802-V317CP	1 1/2	1 1/2	1/2	1/2	MOUNT 34" A.F.F. HANDICAP 0.5 GPM AERATOR - CHICAGO FAUCET - E2805JKCP
L-3	SERVICE AREA FLOOR MOUNTED SINK	FIAT #FL-1	23"X22"X14" PLASTIC	A-1 FAUCET	1 1/2	1 1/2	1/2	1/2	DECK MOUNTED FAUCET PROVIDED WITH STRAINER
MS-1	FLOOR MOUNTED MOP SINK	FIAT #MSB-2424	24"X24"	MODEL 830-AA FAUCET W/ INTEGRAL VACUUM BREAKER	2	1 1/2	3/4	3/4	889-CC 24" COP BRACK 1453-BE STRAINER
FD-1	FLOOR DRAIN	J.R. SMITH #2010CA-NB	6" ROUND TOP		3	2			CAST IRON BODY
FD-2	FLOOR DRAIN	J.R. SMITH #2350-NB	8 1/2" ROUND WITH SEDIMENT BUCKET		3	2			CAST IRON BODY
FD-3	FLOOR DRAIN	J.R. SMITH #3061	12 1/2"Ø WITH SEDIMENT BUCKET		4	2			CAST IRON BODY
W.C.O.	WALL CLEANOUT	J.R. SMITH #4472T	STAINLESS STEEL COVER PLATE		SEE PLANS				
F.C.O.	FLOOR CLEANOUT	J.R. SMITH #4020	5 3/4"Ø ROUND "TWIST" TO FLOOR* ADJUSTABLE TOP		SEE PLANS				NICKEL BRONZE TOP
G.C.O.	GRADE CLEANOUT	J.R. SMITH #4250	8 3/4"Ø ROUND CLEANOUT FOR UNFINISHED AREA		SEE PLANS				CAST IRON TOP
HB	HOSE BIBB WITH INTEGRAL VACUUM BREAKER SPOUT	ARROWHEAD BRASS HOSE BIBB 361 WITH NIBCO ELBOW 707-3-5-LF	3/4" MALE NPT 1/2" THREAD OUTLET				3/4		90° ELBOW WITH 3/4" SOLDER INLET AND 3/4" THREADED OUTLET, AND INTEGRATED VACUUM BREAKER MOUNT 36" AFF - UNO
EWC-1	BOTTLE FILLING BI-LEVEL WATER COOLER	ELKAY E23			1 1/2	1 1/4	3/8		38 3/8" ORIFICE HEIGHT AFF FOR HIGH FOUNTAIN PROVIDE W/ APRON MODEL #LKAPREZL
EWC-2	WATER COOLER	ELKAY E23			1 1/4	1 1/4	3/8		32 7/8" ORIFICE HEIGHT AFF
TMV-1	THERMOSTATIC MIXING VALVE	DWERS #496	3/4"				3/4	3/4	SET FOR 110° F HOT WATER ASSE 1070 CERTIFIED
TMV-2	THERMOSTATIC MIXING VALVE	DWERS ES-100	1/2"				1/2	1/2	SET FOR 85° F HOT WATER ASSE 1071 CERTIFIED
TP	TRAP PRIMER	MIRAB MR-500	1/2"				1/2		MI-DU-500 DISTRIBUTION UNIT MI-600 TRAP FITTING
RP-1	RECIRCULATION PUMP	GRUNDFOS UP10-16BN5 ATLC	3 FT HEAD AT 3 GPM				1/2		SINGLE PHASE, 115 V 25W WITH TIMER AND AQUASTAT

**ACCEPTABLE MANUFACTURERS FOR EQUIVALENT OF SCHEDULE PRODUCT (NO OTHER SUBSTITUTIONS WILL BE ALLOWED):**  
 SEE SPECIFICATIONS

**REMARKS:**  
 1. ALL FINISHES OF FIXTURES SHALL BE WHITE, UNLESS NOTED OTHERWISE.  
 2. ALL TOILETS AND LAVATORIES SHALL HAVE MINIMUM 17 GAUGE TRAPS, WITH CLEAN OUT PLUGS AND WALL ESCUTCHEONS, CHROME PLATED, OFFSET TRAP ON DRAIN LINE, TAILPIECE WITH STRAINER, HANDI-SHIELD VINYL COVERED PIPE INSULATION WITH HOOD OVER NEW DRAIN LINE AND HOT AND COLD WATER LINES.  
 3. ALL FIXTURES SHALL HAVE INDIVIDUAL WALL SUPPLY STOPS, LOOSE KEY OPERATED, WITH WALL ESCUTCHEONS, CHROME PLATED.  
 4. TOILET SEATS: ELONGATED WITH OPEN FRONT AND CONTAINING ANTI-MICROBIAL AGENT, BEMIS MODEL #3155CT.  
 5. WATER COOLERS FURNISHED WITH INTEGRAL VOLUME REGULATORS, HANGERS, WALL MOUNTING PLATE AND 5 YEAR WARRANTY.  
 6. LAVATORIES L-1 AND L-2 SHALL BE PROVIDED WITH A VANDAL RESISTANT 0.5 GPM AERATOR - CHICAGO FAUCET MODEL E2805JKCP.  
 7. ALL TOILET FLUSH CONTROLS SHALL BE PROVIDED ON THE WIDE SIDE OF THE FIXTURE. (AWAY FROM WALL)  
 8. PROVIDE WALL MOUNTED SERVICE FAUCET, MOP HANGER BRACKET AND STAINLESS STEEL STRAINER AT MS-1 LOCATION.  
 9. ALL FIXTURES SHALL BE SUBMITTED AND APPROVED BY ENGINEER.  
 10. PROVIDE 4" DEEP-SEAL TRAP FOR ALL FLOOR DRAINS.



**2 DOMESTIC WATER PIPING DIAGRAM**  
 SCALE: N.T.S.

### GAS FIRED WATER HEATER SCHEDULE

MARK	AREA SERVED	MANUFACTURER	MODEL NUMBER	STORAGE CAPACITY	RECOVERY CAPACITY	MBH INPUT	VOLTS/ PHASE
WH-1	BUILDING	A. O. SMITH	BTX-80	50 GAL	83 GPH @ 100° TEMP RISE	76	120/1

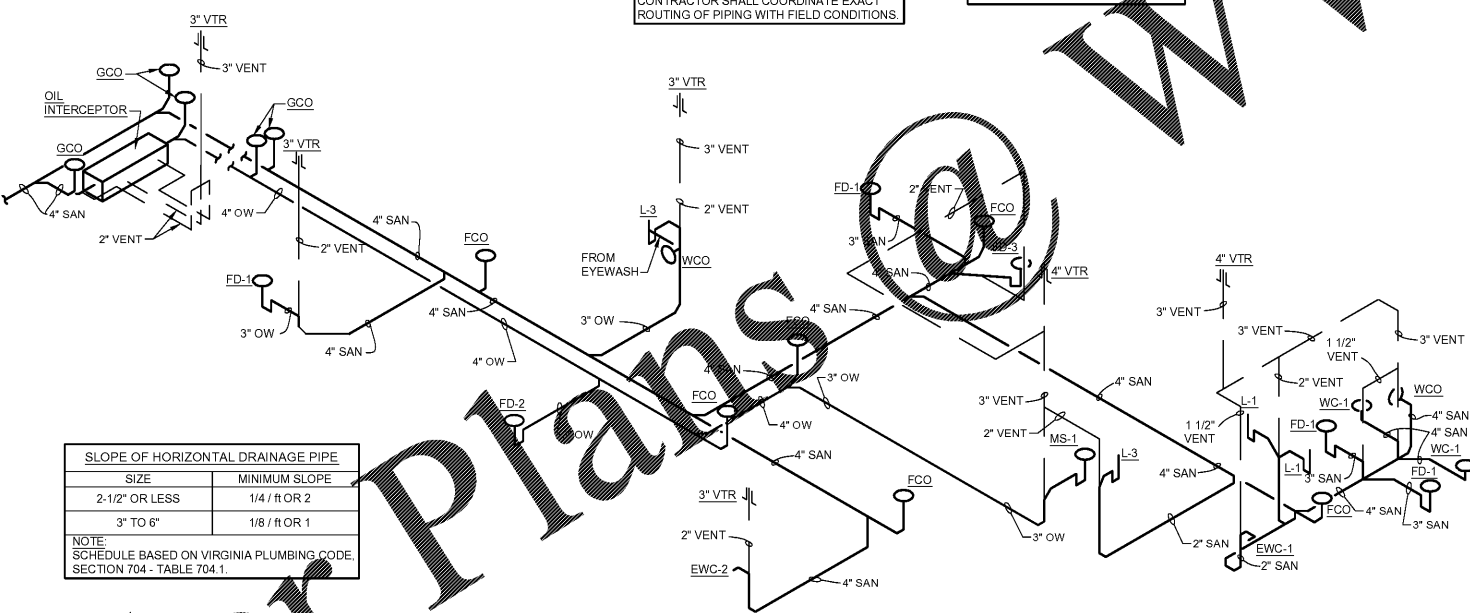
**ACCEPTABLE MANUFACTURERS FOR EQUIVALENT OF SCHEDULE PRODUCT (NO OTHER SUBSTITUTIONS WILL BE ALLOWED):**  
 SEE SPECIFICATIONS

**NOTES:**  
 1. WATER HEATER FURNISHED AND INSTALLED BY CONTRACTOR.  
 2. PROVIDE MANUFACTURERS CONCENTRIC VENT TERMINATION KIT.  
 3. SET DISCHARGE TEMPERATURE OF WATER HEATER TO OPERATE AT 140 DEG F MAX. (FOR MOP SINK USE ONLY, SEE PLUMBING NOTES AND WATER PIPING DIAGRAM).  
 4. ROUTE T.P. RELIEF DRAIN AND OTHER DRAIN PIPING TO FLOOR DRAIN. TERMINATE 2" ABOVE RIM LEVEL.

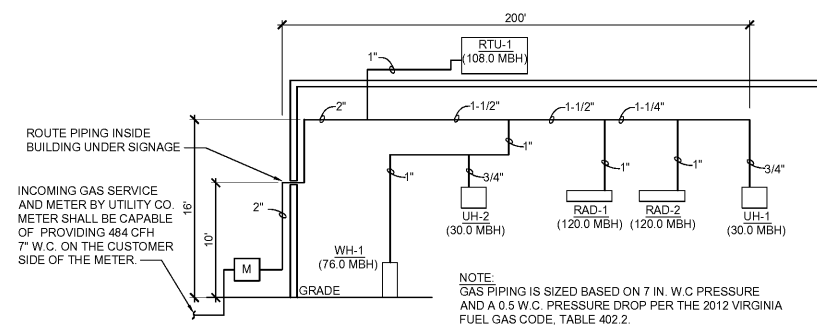
### GAS PRESSURE REGULATOR SCHEDULE

MANUFACTURER	MODEL NUMBER	CFH CAPACITY	INLET PRESSURE	OUTLET PRESSURE	SPRING COLOR RANGE-ORIFICE
ACTARIS	B-31R 3/4"X3/4"	UP TO 150	2 P.S.I.G.	7 INCHES W.C.	LT. GREEN 5.5 TO 8.0 INCHES W.C. -1/8"
ACTARIS	B-31R 3/4"X1"	150 TO 400	2 P.S.I.G.	7 INCHES W.C.	LT. GREEN 5.5 TO 8.0 INCHES W.C. -1/4"
ACTARIS	B-31R 1"X1"	400 TO 800	2 P.S.I.G.	7 INCHES W.C.	LT. GREEN 5.5 TO 8.0 INCHES W.C. -3/8"

**NOTES:**  
 1. REGULATOR ARE FULL CAPACITY INTERNAL RELIEF TYPE.  
 2. REGULATOR TO BE INSTALLED WITH RELIEF VENT IN POSITION TO PREVENT ENTRANCE OF WATER (PROVIDE SCREENED VENT ELBOW AS REQUIRED).  
 3. TAG REGULATOR WITH INLET AND OUTLET SETTINGS, AFFIX WARNING "DO NOT REMOVE".



**1 WASTE VENT PIPING DIAGRAM**  
 SCALE: N.T.S.



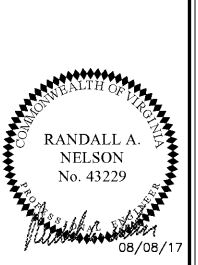
**3 GAS PIPING SCHEMATIC**  
 SCALE: N.T.S.

Professional Engineer of Record  
 Randall A. Nelson, P. E.  
 148 West 95th Street  
 Lenexa, Kansas 66215  
 Phone 913 322 5150



THIS DRAWING IS THE PROPERTY OF BRIDGESTONE RETAIL OPERATIONS, LLC AND IS LOANED TO THE EXPRESS COORDINATION THAT IT IS NOT TO BE USED IN ANY WAY THAT DELEGATES TO THE INTERESTS OF BRIDGESTONE RETAIL OPERATIONS, LLC. THE ACCEPTANCE OF THIS DRAWING WILL BE CONSIDERED AS AN ACCEPTANCE OF THE FOREGOING CONDITIONS AND AS A WARRANTY TO THE EXTENT OF THE FOREGOING CONDITIONS AND AS A WARRANTY TO THE EXTENT OF THE FOREGOING CONDITIONS.

**NEW FCAC STORE**  
 2015 - JUNE - ER - RIGHT  
 1900 RICHMOND ROAD  
 WILLIAMSBURG, VA



PROPERTY NO.:	167739
6 DIGIT NO.:	785533
4 DIGIT NO.:	6868
AOR PROJECT NUMBER:	1655B14
TO PERMIT:	DATE: 08/10/17
TO BID:	DATE: TBD
DRAWN BY:	ZS.MJ.RC
CHECKED BY:	CF.AR
SHEET TITLE:	PLUMBING SCHEDULES AND RISERS
SHEET NUMBER:	<b>P6</b>