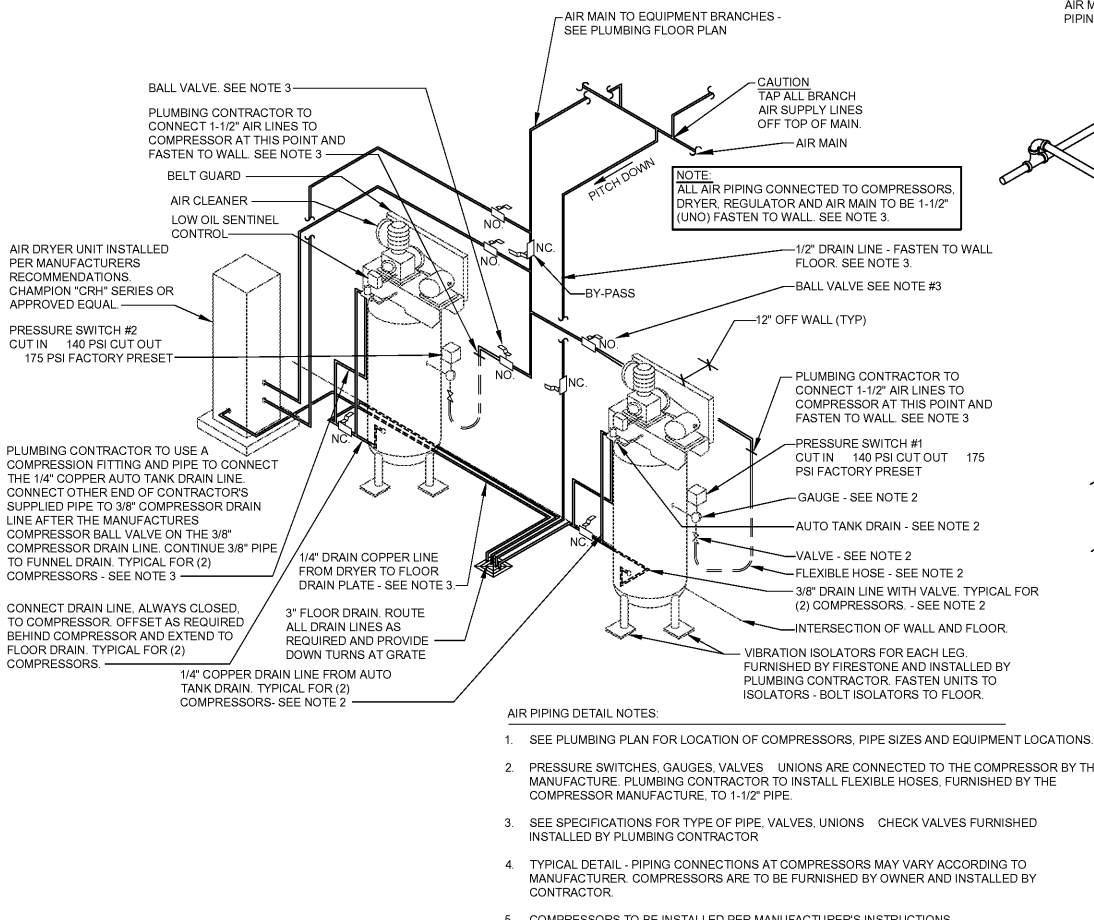
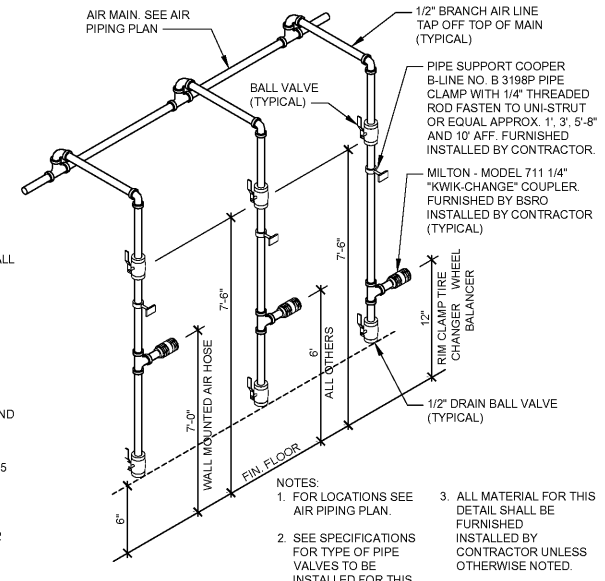


Aug. 08, 2017 - 3:36pm - USER ryanractor\rs
 S:\Bridgestone-Firestone (Engineering)\1720255 BSR0 - Williamsburg, VA Sheets\3 AIR PIPING PLAN AND NOTES.dwg

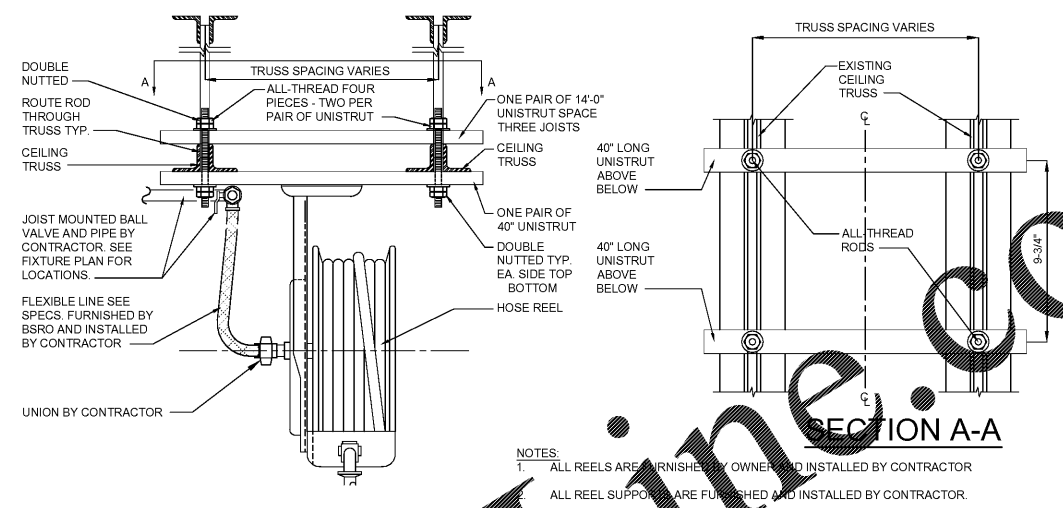
2
P3 AIR PIPING DETAIL - TWO VERTICAL COMPRESSORS
 SCALE: N.T.S.



3
P3 AIR SUPPLY DETAIL
 SCALE: N.T.S.



4
P3 AIR HOSE REEL DETAIL
 SCALE: N.T.S.



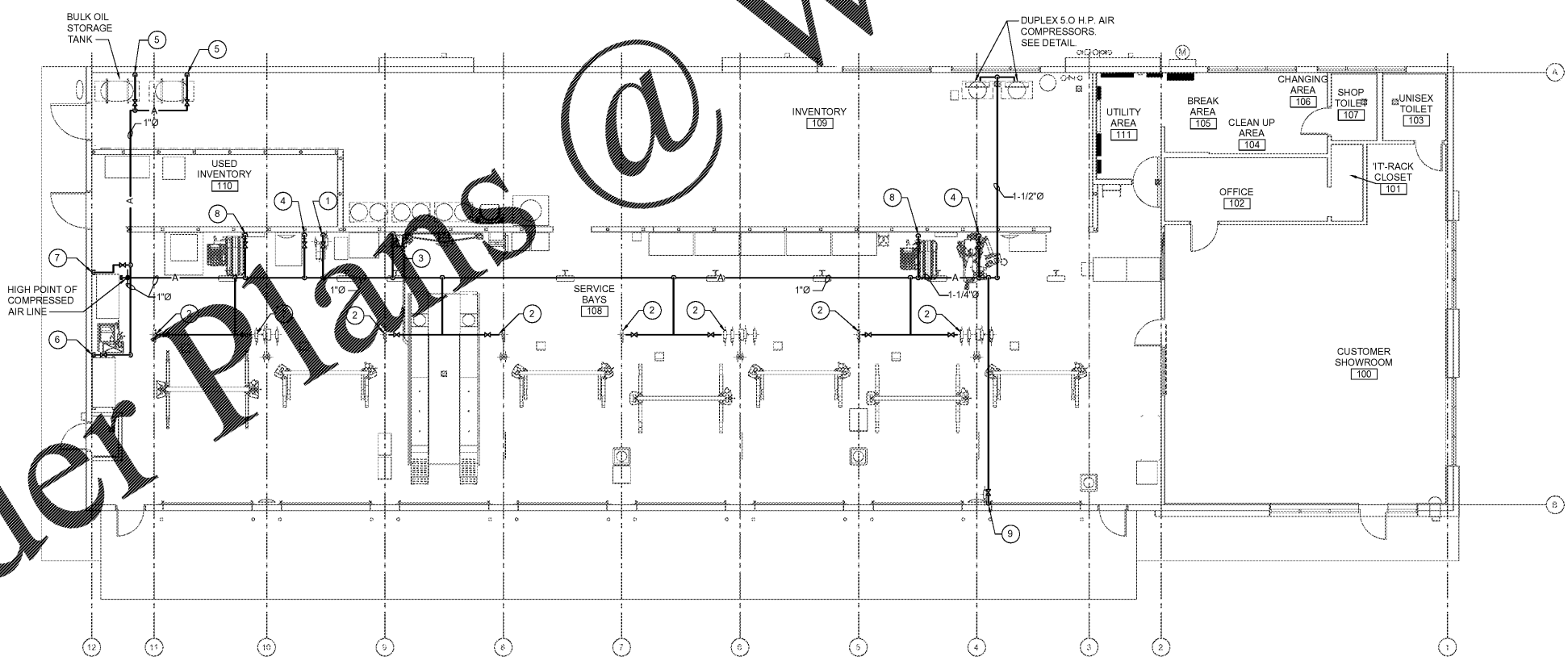
KEYED PLAN NOTES

- FLAT REPAIR STATION 1/2" AIR LINE. ROUTE AIR LINE DOWN TO SHUT OFF VALVE 7'-6" ABOVE FINISHED FLOOR. ROUTE LINE BACK UP TO HOSE REEL MOUNTED AT 8' ABOVE FINISHED FLOOR. COORDINATE EXACT LOCATION WITH FIXTURE PLAN.
- 1/2" PIPE TO OVERHEAD AIR HOSE REEL. SEE DETAIL ON THIS SHEET FOR MOUNTING. COORDINATE EXACT LOCATION WITH FIXTURE PLAN.
- 1/2" PIPE DOWN TO ALIGNMENT RACK. MAKE FINAL HARD PIPE CONNECTION TO ALIGNMENT CONTROLLER BOX. COORDINATE EXACT LOCATION WITH FIXTURE PLAN. REFER TO AIR SUPPLY DETAIL THIS SHEET FOR MOUNTING HEIGHT.
- 1/2" PIPE DROP FOR RIM CLAMP TIRE CHANGER. COORDINATE EXACT LOCATION WITH FIXTURE PLAN. REFER TO AIR SUPPLY DETAIL ON THIS SHEET FOR MOUNTING HEIGHT.
- 1/2" PIPE TO BULK OIL STORAGE TANK. COORDINATE EXACT LOCATION WITH FIXTURE PLAN. REFER TO AIR SUPPLY DETAIL ON THIS SHEET FOR MOUNTING HEIGHT.
- 1/2" PIPE DROP FOR TANK MOUNTED AIR POWERED OIL PUMP. REFER TO AIR SUPPLY DETAIL THIS SHEET FOR MOUNTING HEIGHT. COORDINATE LOCATION OF AIR DROP WITH FIXTURE PLAN AND USED OIL STORAGE SYSTEM DETAIL ON SHEET P4.
- 1/2" PIPE DOWN TO WORKBENCH. COORDINATE EXACT LOCATION WITH FIXTURE PLAN. REFER TO AIR SUPPLY DETAIL ON THIS SHEET FOR MOUNTING HEIGHT.
- 1/2" PIPE DOWN TO ELECTRONIC WHEEL BALANCER. COORDINATE EXACT LOCATION WITH FIXTURE PLAN. REFER TO AIR SUPPLY DETAIL ON THIS SHEET FOR MOUNTING HEIGHT. COORDINATE WITH OWNER FOR FUTURE LOCATION OF AIR POWERED WHEEL BALANCER AND ELECTRONIC WHEEL BALANCER.
- 1/2" PIPE DOWN TO WALL MOUNTED AIR HOSE REEL. PROVIDE SHUT OFF VALVE AT 7'-6" AND ROUTE UP TO HOSE REEL MOUNTED 8' ABOVE FINISHED FLOOR. COORDINATE EXACT LOCATION WITH FIXTURE PLAN. SEE DETAIL ON THIS SHEET.

AIR PIPING NOTES

- PROVIDE SHUTOFF VALVES IN EACH BRANCH USING BALL VALVES REFER TO AIR SUPPLY DETAIL ON THIS SHEET FOR MOUNTING HEIGHT.
- INSTALL/ROUTE ALL PIPING TIGHT TO UNDERSIDE OF SERVICE BAY CEILING.
- MAKE FINAL CONNECTIONS TO ALL EQUIPMENT FURNISHED BY OTHERS PER MANUFACTURER'S INSTRUCTIONS.
- PITCH PIPING BACK TO AIR COMPRESSOR. TAP ALL BRANCH PIPING TAKE-OFFS FROM TOP OF MAIN.
- RUN 1/2" PIPING FROM SUPPLY MANIFOLD TO TIRE CHANGERS AND CONNECT PER MANUFACTURER'S INSTRUCTIONS. SEE MANUFACTURER'S DRAWINGS FOR DETAIL OF SUPPLY MANIFOLD.
- ALL EQUIPMENT, MATERIAL AND LABOR NECESSARY FOR COMPLETION OF COMPRESSED AIR SYSTEM SHOWN ON DRAWINGS OR REFERRED TO IN SPECIFICATIONS TO BE FURNISHED AND INSTALLED BY CONTRACTOR UNLESS NOTED OTHERWISE.
- WHERE DRAWINGS OR SPECIFICATIONS EXCEED GOVERNING CODE REQUIREMENTS. DESIGN SHALL GOVERN. INSTALL NO WORK CONTRARY TO OR BELOW MINIMUM LEGAL STANDARDS. WHETHER DRAWINGS AND SPECIFICATIONS FULLY COMPLY OR NOT.
- CAUTION: ALL AIR LINES SHALL BE PROPERLY CLEANED AND BLOWN OUT PRIOR TO CONNECTING TO ANY OF THE EQUIPMENT SHOWN ON THIS SHEET.
- PROVIDE TIRE BALANCING UNIT AIR SUPPLY.

1
P3 AIR PIPING PLAN
 SCALE: 1/8" = 1'-0"

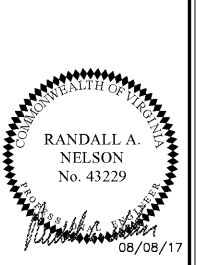


Professional Engineer of Record
 Randall A. Nelson, P. E.
 148 West 95th Street
 Lenexa, Kansas 66215
 Phone 913 322 5150



THE DRAWING IS THE PROPERTY OF BRIDGESTONE RETAIL OPERATIONS, LLC AND IS LOANED ON THE EXPRESS CONDITION THAT IT IS NOT TO BE USED IN ANY WAY UNLESS IT IS IN THE INTEREST OF BRIDGESTONE RETAIL OPERATIONS, LLC. THE ACCEPTANCE OF THIS DRAWING WILL BE CONSIDERED AS AN ACCEPTANCE OF THE FOREGOING CONDITION AND AS A WAIVER TO THE EXTENT OF ANY CONFLICTING TERMS OR CONDITIONS OF ANY OTHER CONTRACTS OR AGREEMENTS.

NEW FCAC STORE
 2015 - JUNE - ER - RIGHT
 1900 RICHMOND ROAD
 WILLIAMSBURG, VA



ISSUE BLOCK

NO.	DESCRIPTION	DATE

PROPERTY NO: 167739
 6 DIGIT NO: 785533
 4 DIGIT NO: 6868
 AOR PROJECT NUMBER: 1655814
 TO PERMIT: DATE: 08/10/17
 TO BID: DATE: TBD
 DRAWN BY: ZS,MJ,RC
 CHECKED BY: CF,AR

SHEET TITLE:
AIR PIPING PLAN AND NOTES
 SHEET NUMBER:
P3