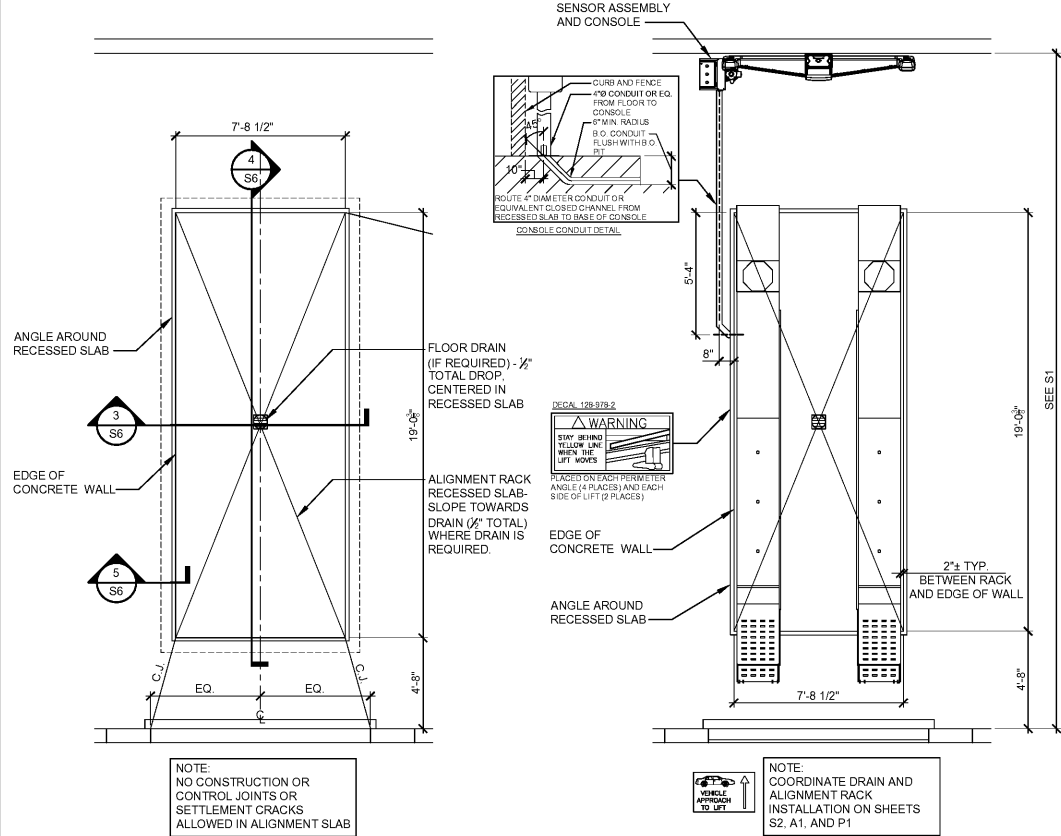
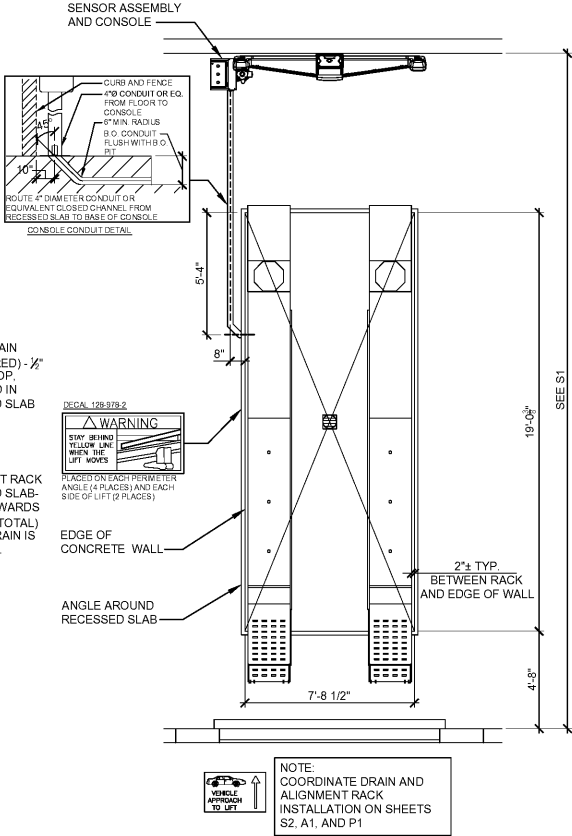


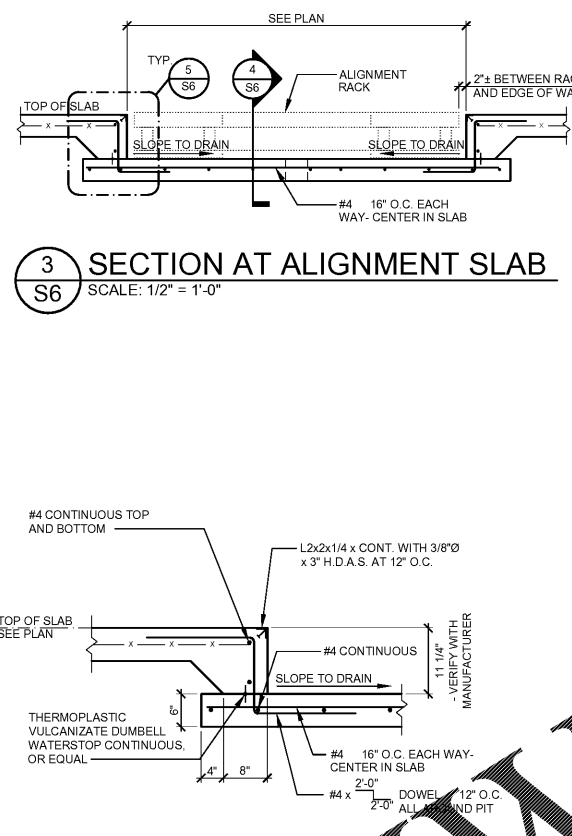
1 ALIGNMENT SLAB PLAN
 S6 SCALE: 1/4" = 1'-0"



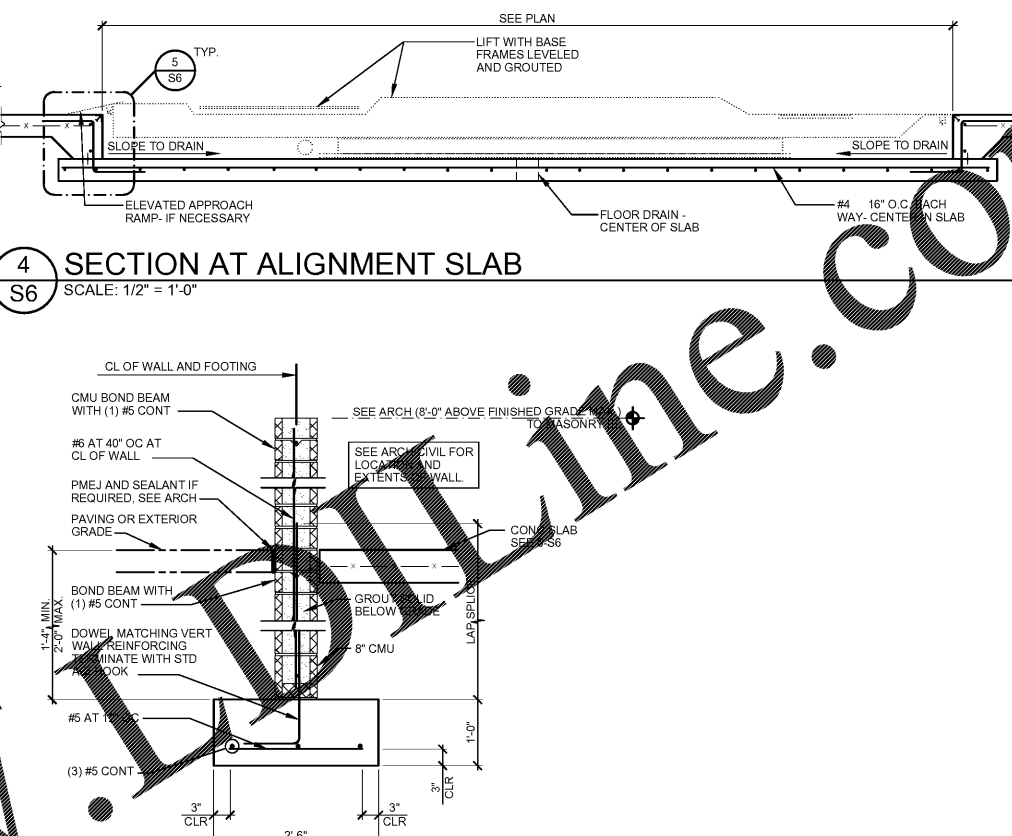
2 ALIGNMENT RACK PLAN
 S6 SCALE: 1/4" = 1'-0"



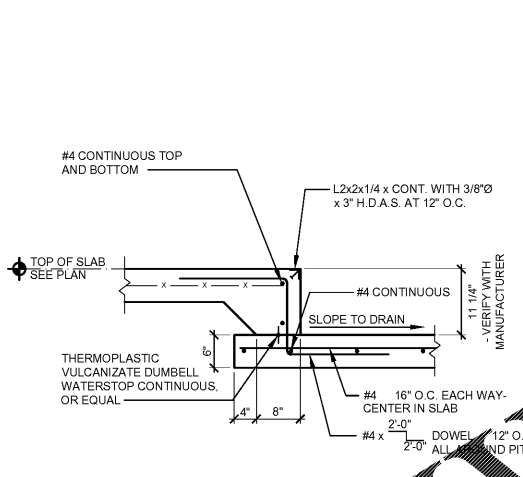
3 SECTION AT ALIGNMENT SLAB
 S6 SCALE: 1/2" = 1'-0"



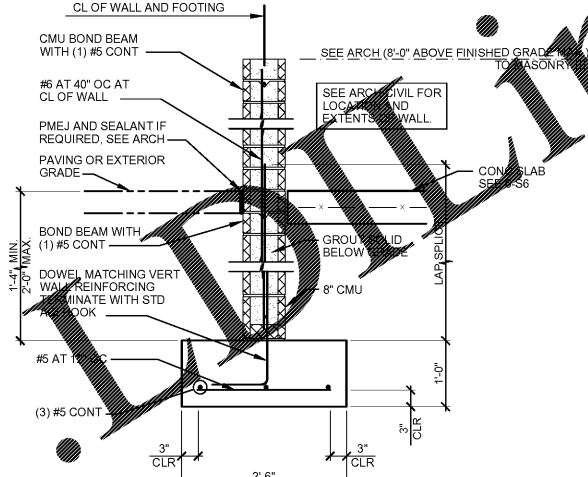
4 SECTION AT ALIGNMENT SLAB
 S6 SCALE: 1/2" = 1'-0"



5 SECTION DETAIL
 S6 SCALE: 3/4" = 1'-0"



6 TRASH ENCLOSURE SCREEN WALL SECTION
 S6 SCALE: 3/4" = 1'-0"



Order Plans @

WWW

firestone.com



NEW FCAC STORE
 2015 - JUNE-ER - RIGHT
 1900 RICHMOND ROAD
 WILLIAMSBURG, VA

ISSUE BLOCK	
PROPERTY NO.:	167739
6 DIGIT NO.:	785533
4 DIGIT NO.:	6868
AOR PROJECT NUMBER:	1655B14
TO PERMIT:	DATE: 08/10/17
TO BID:	DATE: TBD
DRAWN BY:	JRR
CHECKED BY:	MGJTJ
SHEET TITLE:	
MISC DETAILS	
SHEET NUMBER:	
S6	

THIS DRAWING IS THE PROPERTY OF BRIDGESTONE RETAIL OPERATIONS, LLC AND IS LOANED TO THE EXPRESS CONDITION THAT IT IS NOT TO BE USED IN ANY WAY DEPENDENT TO THE INTERESTS OF BRIDGESTONE RETAIL OPERATIONS, LLC. THE ACCEPTANCE OF THIS DRAWING WILL BE CONSIDERED AS AN ACCEPTANCE OF THE FOREGOING CONDITION AND AS SUBJECT TO THE EXCLUSIVE OWNERSHIP AND TO THE DRAWING BY BRIDGESTONE RETAIL OPERATIONS, LLC.

CARRIE ANNE JOHNSON, P.E.
 200 EAST MAIN STREET
 TULSA, OKLAHOMA 74103-0212
 P: 918-486-8888 F: 918-486-8889