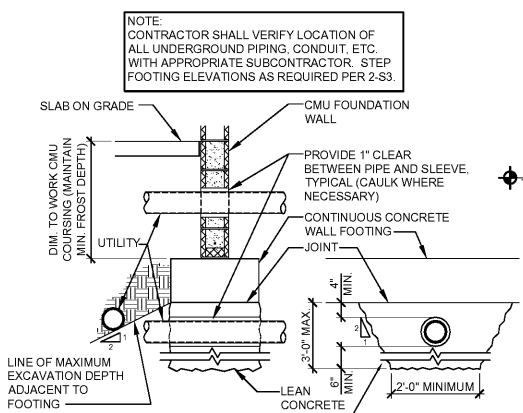
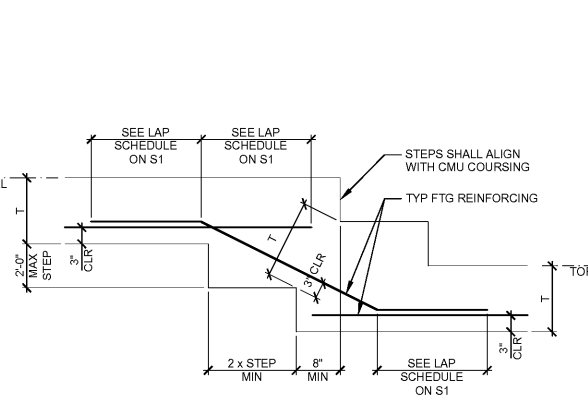


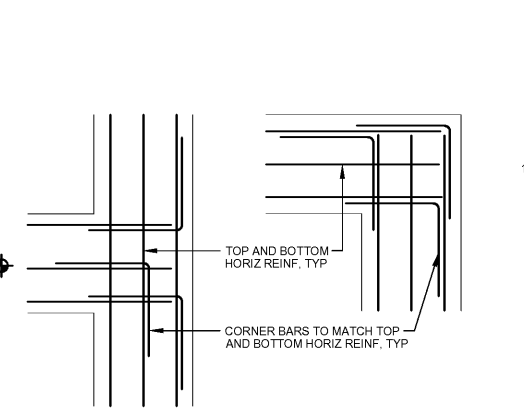
Aug. 09, 2017 - 9:40am - USER Ramcell Rice
 \struct-server\volume\BRO\1717203 - Williamsburg, VA\Struct\ER_L_S3.dwg



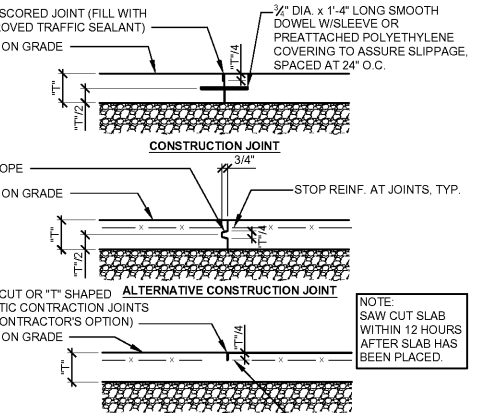
1 TYP. PIPE AT FOOTING DETAIL
 S3 SCALE: 1/2" = 1'-0"



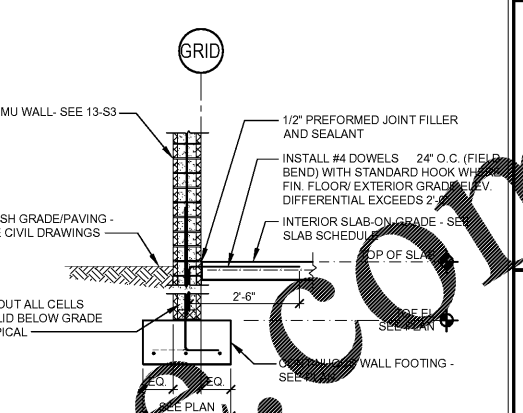
2A TYP. STEPPED FTG. DETAIL
 S3 SCALE: 3/4" = 1'-0"



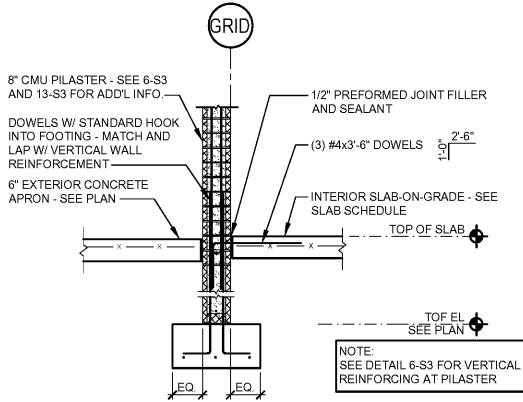
2B CORNER BAR REINFORCING
 S3 SCALE: 3/4" = 1'-0"



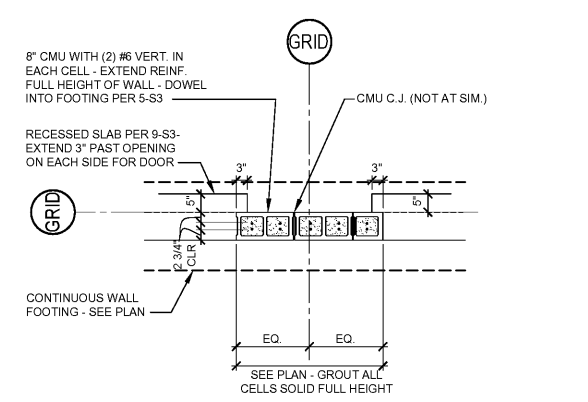
3 TYP. SLAB JOINT DETAILS
 S3 SCALE: 1" = 1'-0"



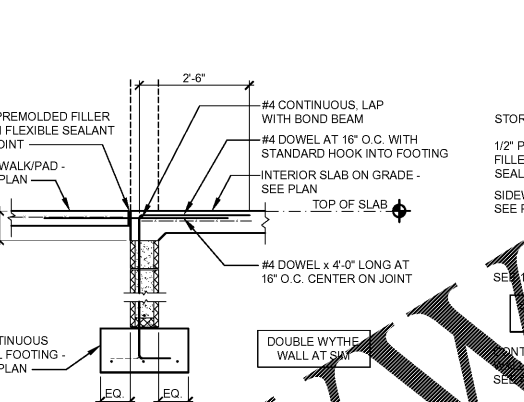
4 SECTION AT EXTERIOR WALL
 S3 SCALE: 1" = 1'-0"



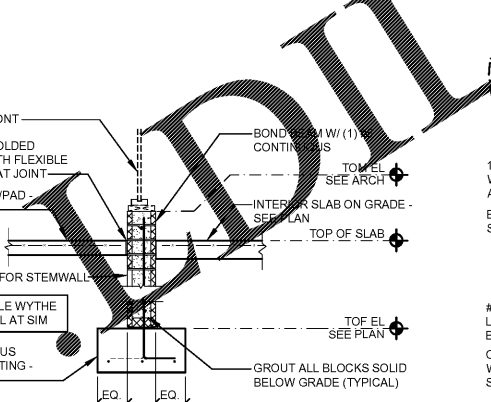
5 SECTION AT PILASTER
 S3 SCALE: 1/2" = 1'-0"



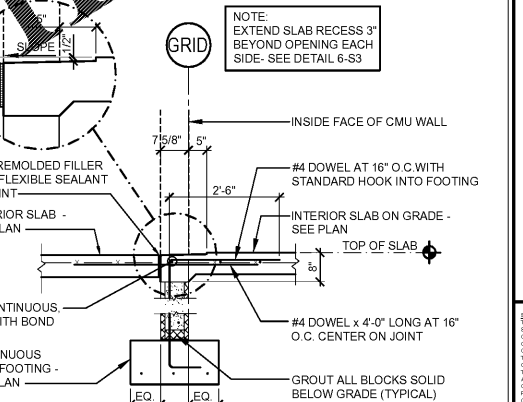
6 PLAN DETAIL
 S3 SCALE: 1/2" = 1'-0"



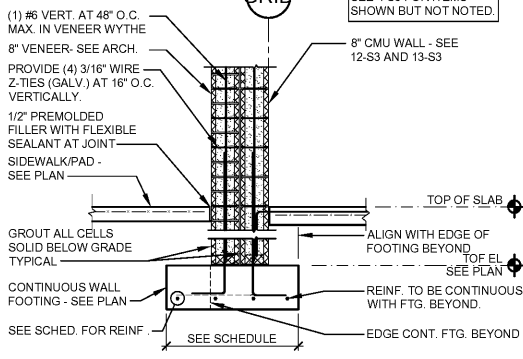
7 SECTION AT DOOR
 S3 SCALE: 1/2" = 1'-0"



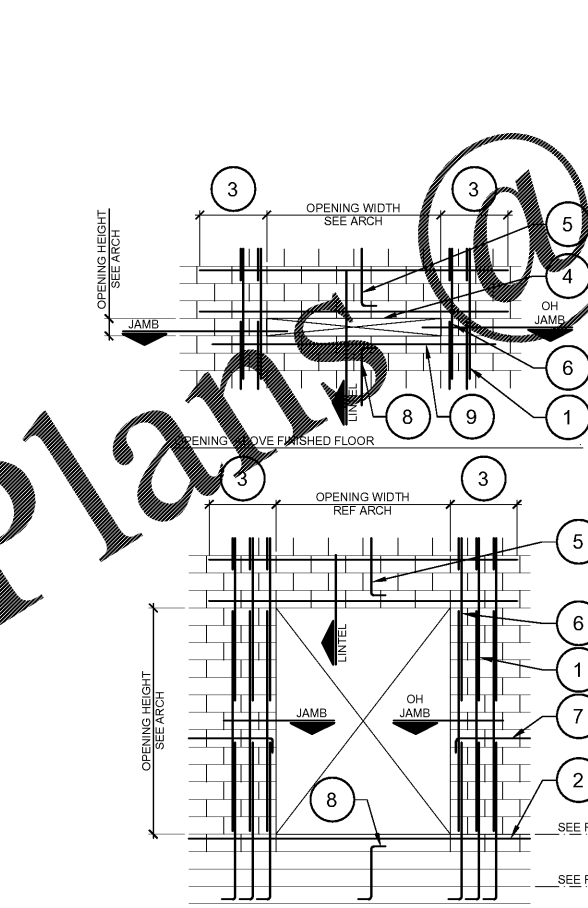
8 SECTION AT STOREFRONT
 S3 SCALE: 1/2" = 1'-0"



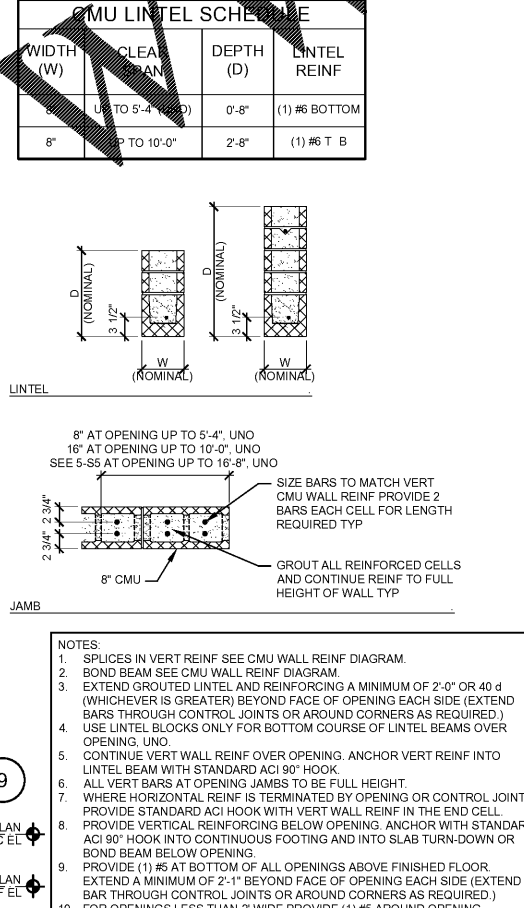
9 SECTION AT OVERHEAD DOOR
 S3 SCALE: 1/2" = 1'-0"



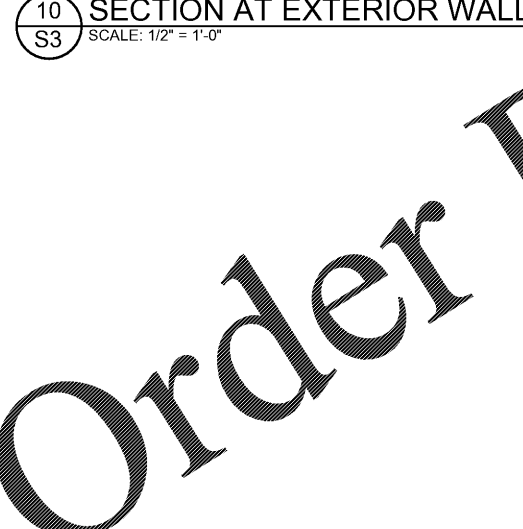
10 SECTION AT EXTERIOR WALL
 S3 SCALE: 1/2" = 1'-0"



12 TYPICAL MASONRY WALL OPENING DIAGRAM AND SCHEDULE
 S3 SCALE: 3/4" = 1'-0"



13 CMU WALL REINFORCING DIAGRAM
 S3 SCALE: 3/4" = 1'-0"



11 NOT USED
 S3 SCALE: 1/2" = 1'-0"

Firestone
 COMPLETE AUTO CARE

THIS DRAWING IS THE PROPERTY OF FIRESTONE RETAIL OPERATIONS, LLC AND IS LOANED TO THE EXPRESS CONDITION THAT IT IS NOT TO BE USED IN ANY WAY UNLESS IT IS USED IN THE INTERESTS OF FIRESTONE RETAIL OPERATIONS, LLC. THE ACCEPTANCE OF THIS DRAWING SHALL BE CONSIDERED AS AN ACCEPTANCE OF THE FOREGOING CONDITIONS AND IS SUBJECT TO THE EXCLUSIVE JURISDICTION OF THE COURTS OF THE STATE OF OKLAHOMA.

FIRESTONE RETAIL OPERATIONS, LLC
 230 EAST MAIN STREET
 TULSA, OKLAHOMA 74103-3112
 TULSA, OKLAHOMA 74103-3112
 TULSA, OKLAHOMA 74103-3112

NEW FCAC STORE
 2015 - JUNE - ER - RIGHT
 1900 RICHMOND ROAD
 WILLIAMSBURG, VA

PROPERTY NO.: 167739
 6 DIGIT NO.: 785533
 4 DIGIT NO.: 6868
 AOR PROJECT NUMBER: 1655814
 TO PERMIT: DATE: 08/10/17
 TO BID: DATE: TBD
 DRAWN BY: JRR
 CHECKED BY: MGTJ

SHEET TITLE:
FOUNDATION DETAILS

SHEET NUMBER:
S3