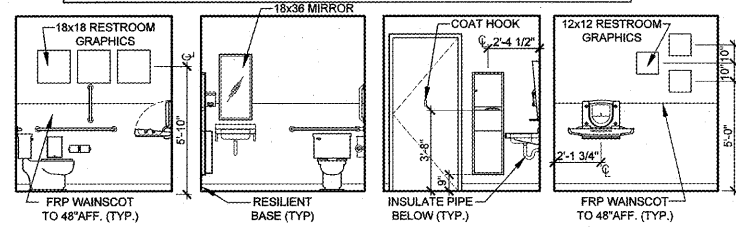
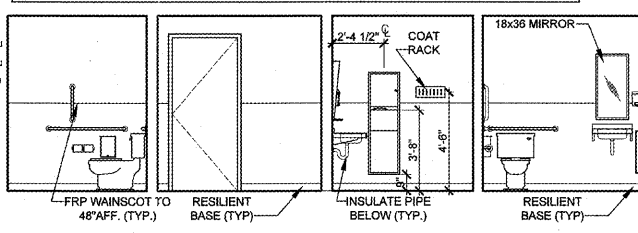


**GENERAL NOTES:**  
 1. SEE SHEET N1 FOR ALL CLEARANCE REQUIREMENTS AND MOUNTING HEIGHTS FOR ACCESSORIES  
 2. INSTALL WOOD BLOCKING AS REQUIRED FOR MOUNTING ACCESSORIES  
 3. COUNTERSINK ALL CABINET MOUNTING SCREWS

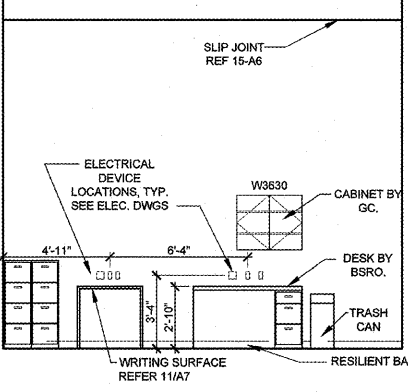


**1 INTERIOR ELEVATIONS**  
 A7 SCALE: 1/4"=1'-0"

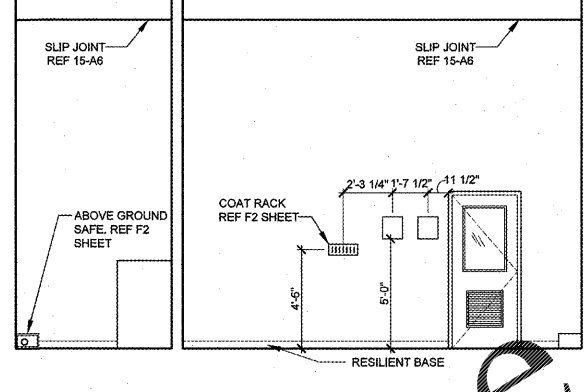
**GENERAL NOTES:**  
 1. SEE SHEET N1 FOR ALL CLEARANCE REQUIREMENTS AND MOUNTING HEIGHTS FOR ACCESSORIES  
 2. INSTALL WOOD BLOCKING AS REQUIRED FOR MOUNTING ACCESSORIES  
 3. COUNTERSINK ALL CABINET MOUNTING SCREWS



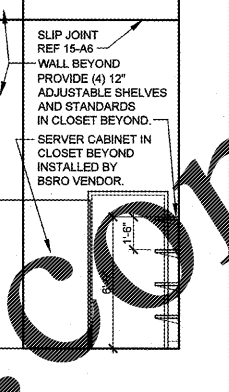
**3 INTERIOR ELEVATIONS**  
 A7 SCALE: 1/4"=1'-0"



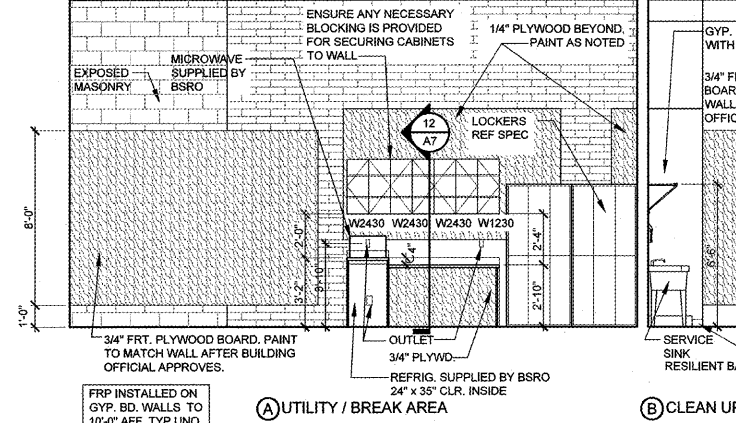
**4 INTERIOR ELEVATIONS**  
 A7 SCALE: 1/4"=1'-0"



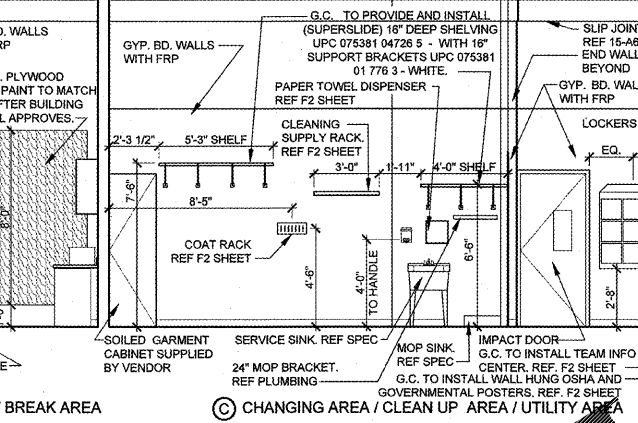
**4 INTERIOR ELEVATIONS**  
 A7 SCALE: 1/4"=1'-0"



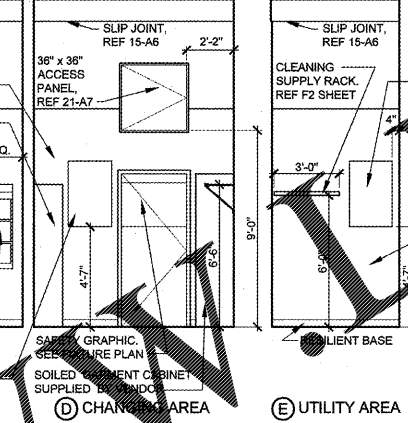
**4 INTERIOR ELEVATIONS**  
 A7 SCALE: 1/4"=1'-0"



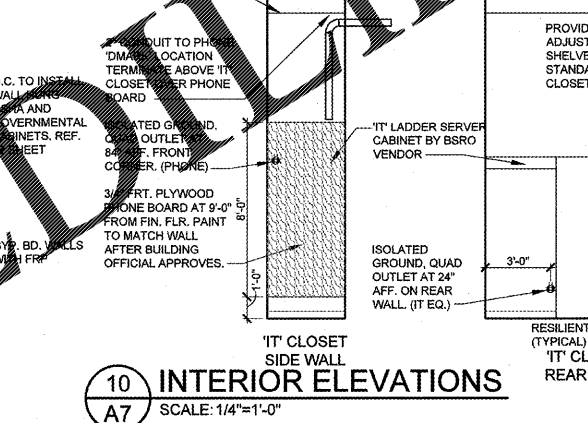
**6 INTERIOR ELEVATIONS**  
 A7 SCALE: 1/4"=1'-0"



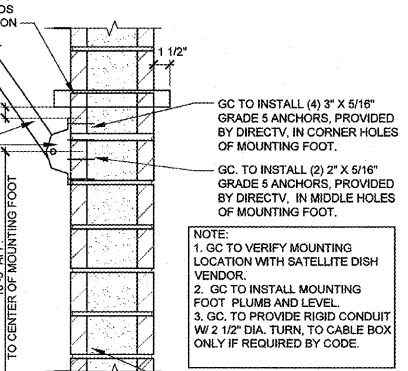
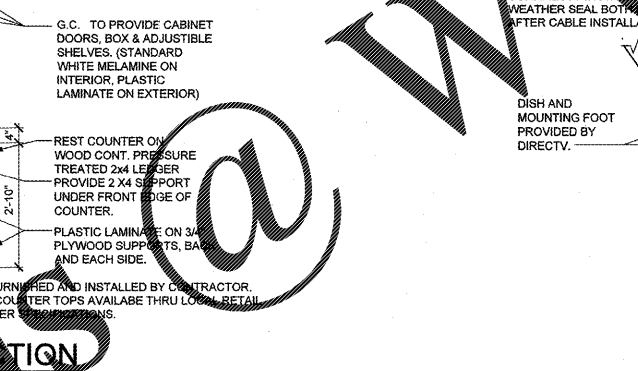
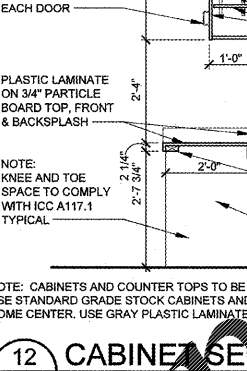
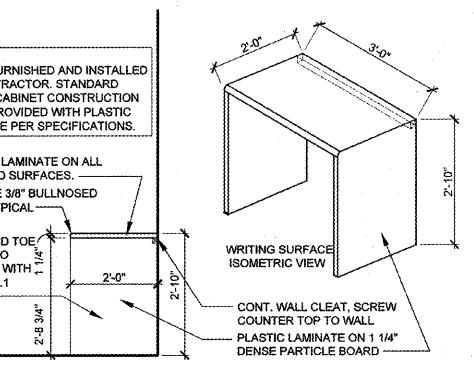
**10 INTERIOR ELEVATIONS**  
 A7 SCALE: 1/4"=1'-0"



**10 INTERIOR ELEVATIONS**  
 A7 SCALE: 1/4"=1'-0"

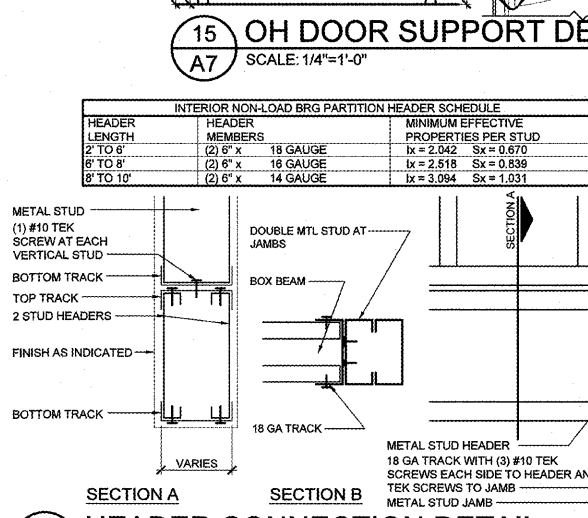
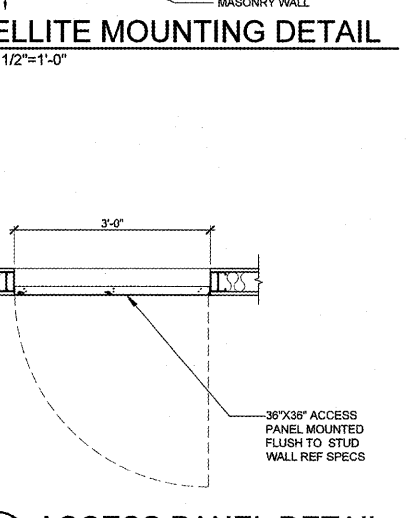
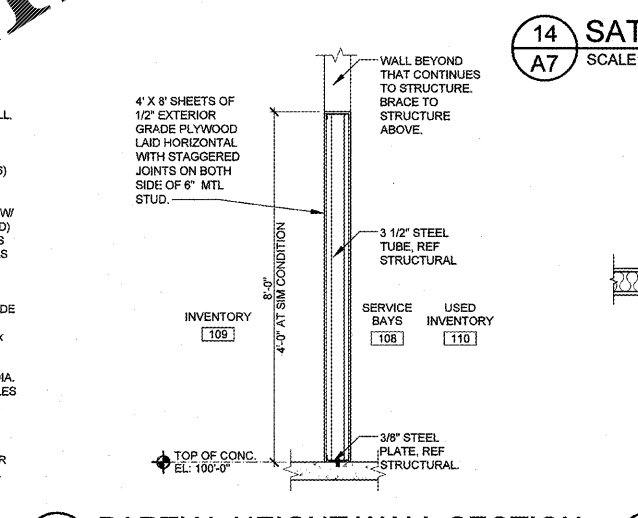
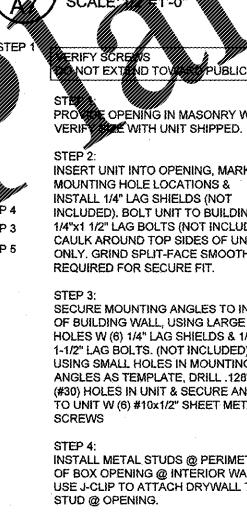
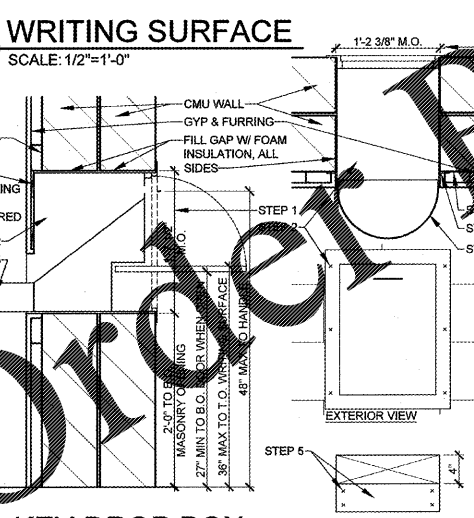


**10 INTERIOR ELEVATIONS**  
 A7 SCALE: 1/4"=1'-0"



**INTERIOR NON-LOAD BRG PARTITION HEADER SCHEDULE**

HEADER LENGTH	HEADER MEMBERS	MINIMUM EFFECTIVE PROPERTIES PER STUD
2' TO 5'	(2) 6" x 18 GAUGE	Ix = 2.042 Sx = 0.670
6' TO 8'	(2) 6" x 18 GAUGE	Ix = 2.518 Sx = 0.839
8' TO 10'	(2) 6" x 14 GAUGE	Ix = 3.094 Sx = 1.031



Aug 08, 2017 - 5:38pm - USIP - ktd  
 P:\350\Projects\Williamsburg\_VA - 755993\3 - Drawings & Design\Building Construction\3\_Fac\_A7.dwg

Order Print