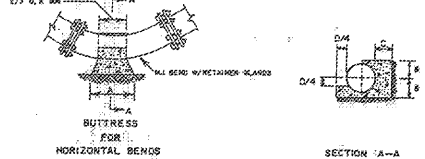


SIZE	A	B	C	D	E	F	G	H	I	J	K	L	M	N	O	P	Q	R	S	T	U	V	W	X	Y	Z
11"	4"	6"	8"	10"	12"	14"	16"	18"	20"	24"	30"	36"	42"	48"	54"	60"	66"	72"	78"	84"	90"	96"	102"	108"	114"	120"
22 1/2"	6"	8"	10"	12"	14"	16"	18"	20"	24"	30"	36"	42"	48"	54"	60"	66"	72"	78"	84"	90"	96"	102"	108"	114"	120"	126"
45"	10"	12"	14"	16"	18"	20"	24"	30"	36"	42"	48"	54"	60"	66"	72"	78"	84"	90"	96"	102"	108"	114"	120"	126"	132"	138"
90"	12"	14"	16"	18"	20"	24"	30"	36"	42"	48"	54"	60"	66"	72"	78"	84"	90"	96"	102"	108"	114"	120"	126"	132"	138"	144"

NOTES
 1. ALL CONCRETE TO BE 3500 P.S.I.
 2. BUTTRESS DIMENSIONS SHOWN ARE MINIMUM DIMENSIONS; ARE BASED UPON SOIL BEARING PRESSURE OF 3000 P.S.F. AND STATIC WATER PRESSURE OF 50 P.S.I. WHERE PRESSURE IS LESS THAN 3000 P.S.F. SPECIAL BUTTRESS DESIGN IS REQUIRED.

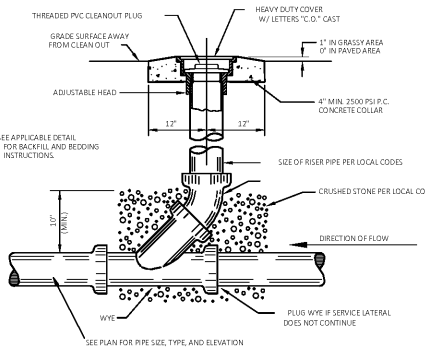
City of Williamsburg, Virginia
BUTTRESSES FOR TEES
 Date: 9/84
 Drawn: W5.0



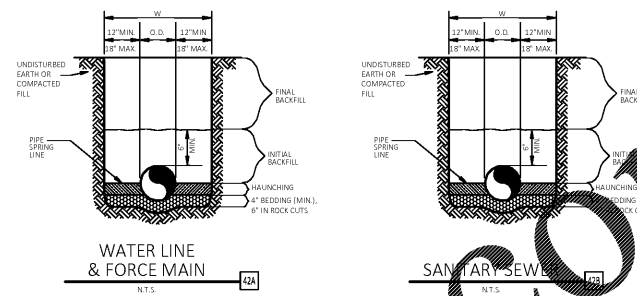
BEND	4"	6"	8"	10"	12"	14"	16"	18"	20"	24"	30"	36"	42"	48"	54"	60"	66"	72"	78"	84"	90"	96"	102"	108"	114"	120"
11 1/4"	4"	6"	8"	10"	12"	14"	16"	18"	20"	24"	30"	36"	42"	48"	54"	60"	66"	72"	78"	84"	90"	96"	102"	108"	114"	120"
22 1/2"	6"	8"	10"	12"	14"	16"	18"	20"	24"	30"	36"	42"	48"	54"	60"	66"	72"	78"	84"	90"	96"	102"	108"	114"	120"	126"
45"	10"	12"	14"	16"	18"	20"	24"	30"	36"	42"	48"	54"	60"	66"	72"	78"	84"	90"	96"	102"	108"	114"	120"	126"	132"	138"
90"	12"	14"	16"	18"	20"	24"	30"	36"	42"	48"	54"	60"	66"	72"	78"	84"	90"	96"	102"	108"	114"	120"	126"	132"	138"	144"

NOTES
 1. ALL CONCRETE TO BE 2500 P.S.I.
 2. BUTTRESS DIMENSIONS SHOWN ARE MINIMUM DIMENSIONS; ARE BASED UPON SOIL BEARING PRESSURE OF 3000 P.S.F. AND STATIC WATER PRESSURE OF 50 P.S.I. WHERE PRESSURE IS LESS THAN 3000 P.S.F. SPECIAL BUTTRESS DESIGN IS REQUIRED.

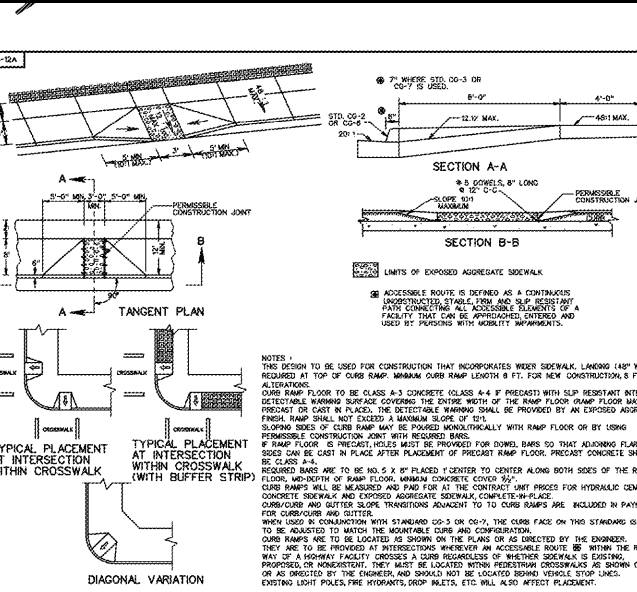
City of Williamsburg, Virginia
BUTTRESSES FOR HORIZONTAL BENDS
 Date: 9/84
 Drawn: W6.0



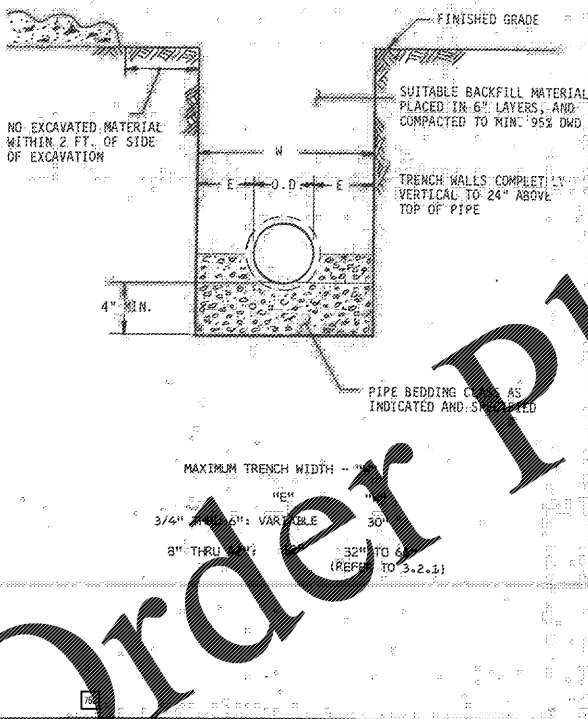
SANITARY SEWER CLEAN-OUT
 N.T.S.



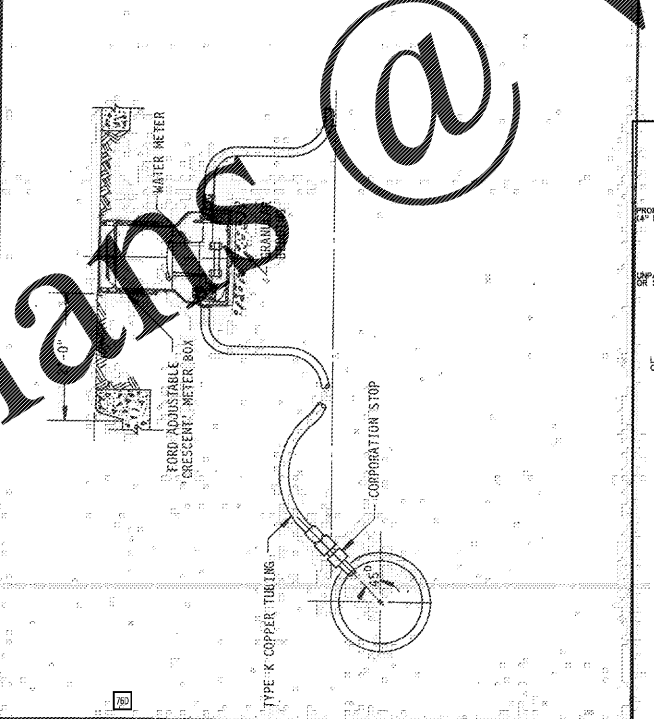
GENERAL
 1. BEDDING SHALL BE CLASS A-3 WORKED BY HAND. IF GROUNDWATER IS ANTICIPATED, THEN BEDDING SHALL BE CLASS A-4. BEDDING SHALL BE COMPACTED TO 95% STANDARD PROCTOR SPECIFICATION FOR GRAVATION.
 2. HAUNCHING SHALL BE WORKED BY HAND TO ELIMINATE Voids. HAUNCHING SHALL BE CLASS A-4 OR CLASS B-1 CONFORMANCE WITH ASTM D 1557. HAUNCHING SHALL BE COMPACTED TO 95% STANDARD PROCTOR.
 3. INITIAL BACKFILL SHALL BE CLASS A-3 WORKED BY HAND TO 12" ABOVE THE PIPE. INITIAL BACKFILL SHALL BE CLASS A-4 OR CLASS B-1 CONFORMANCE WITH ASTM D 1557. INITIAL BACKFILL SHALL BE COMPACTED TO 95% STANDARD PROCTOR.
 4. INITIAL BACKFILL NOT UNDER PAVED AREAS SHALL BE CLASS A-3 WORKED BY HAND TO 12" ABOVE THE PIPE.
 5. FINAL BACKFILL SHALL BE CLASS A-3 OR CLASS B-1 CONFORMANCE WITH ASTM D 1557. FINAL BACKFILL SHALL BE COMPACTED TO 95% STANDARD PROCTOR.
 6. FINAL BACKFILL NOT UNDER PAVED AREAS CAN BE CLASS A-3 COMPACTED TO 95% STANDARD PROCTOR.
 7. ALL MATERIALS AS CLASSIFIED IN ACCORDANCE WITH ASTM D 2321, LATEST EDITION.
 8. MATERIALS SHALL BE INSTALLED BY HAND TO ELIMINATE Voids. MATERIALS SHALL BE CLASS A-4 OR CLASS B-1 CONFORMANCE WITH ASTM D 1557. MATERIALS SHALL BE COMPACTED TO 95% STANDARD PROCTOR.
 9. FILL SALVAGED FROM EXCAVATION SHALL BE FREE OF DEBRIS, ORGANICS AND ROCKS LARGER THAN 1".
 10. ALL TRENCH EXCAVATIONS SHALL BE SLOPED, SHORED, SHIELDED, BRACED, OR OTHERWISE SUPPORTED IN ACCORDANCE WITH OSHA REGULATIONS AND LOCAL ORDINANCES. (SEE SPECIFICATIONS)



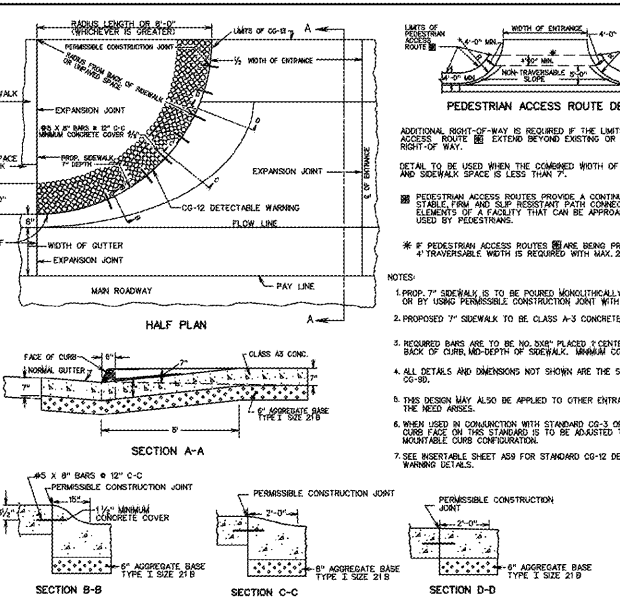
PERPENDICULAR CURB RAMP (ACCESS FOR MOBILITY IMPAIRMENTS)
 VIRGINIA DEPARTMENT OF TRANSPORTATION
 SHEET NO. 203.08
 6 DIGIT NO.: 785533
 4 DIGIT NO.: 6868
 ENTITY ID NO.: 785856
 SITE ID NO.: 1412
 PROPERTY NO.: 167739
 FILE NAME: 29944-CS.dwg
 CEI PROJECT NUMBER: 29944
 REVISION: REV-1 DATE: 08/14/17
 SHEET TITLE: **DETAIL SHEET II**
 SHEET NUMBER: **C11**



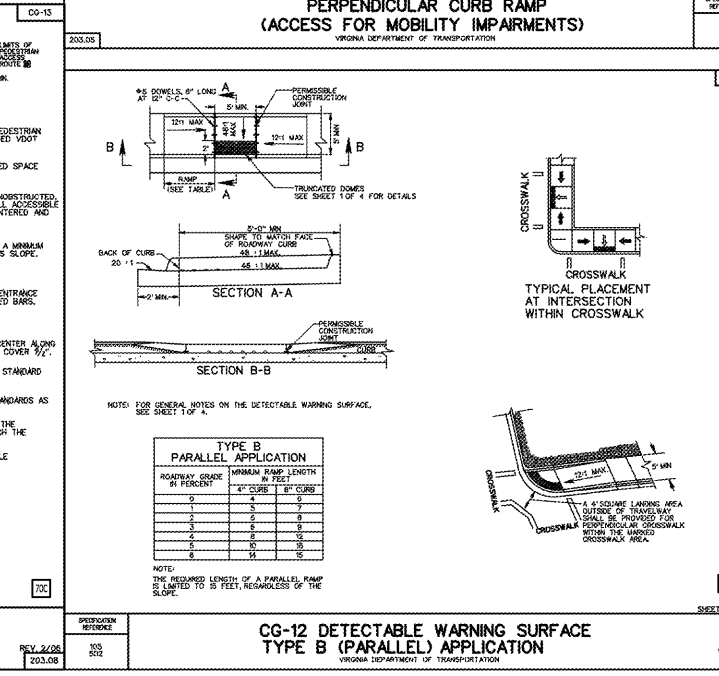
City of Williamsburg, Virginia
PIPE TRENCH DETAIL
 Date: 9/84
 Drawn: W1.0



City of Williamsburg, Virginia
TYPICAL METER SETTING 5/8"x3/4" and 1"
 Date: 9/84
 Drawn: W11.0



City of Williamsburg, Virginia
COMMERCIAL ENTRANCE (HEAVY TRUCK TRAFFIC ANTICIPATED)
 VIRGINIA DEPARTMENT OF TRANSPORTATION
 SHEET NO. 203.09
 6 DIGIT NO.: 785533
 4 DIGIT NO.: 6868
 ENTITY ID NO.: 785856
 SITE ID NO.: 1412
 PROPERTY NO.: 167739
 FILE NAME: 29944-CS.dwg
 CEI PROJECT NUMBER: 29944
 REVISION: REV-1 DATE: 08/14/17
 SHEET TITLE: **DETAIL SHEET II**
 SHEET NUMBER: **C11**



City of Williamsburg, Virginia
CG-12 DETECTABLE WARNING SURFACE TYPE B (PARALLEL) APPLICATION
 VIRGINIA DEPARTMENT OF TRANSPORTATION
 SHEET NO. 203.08
 6 DIGIT NO.: 785533
 4 DIGIT NO.: 6868
 ENTITY ID NO.: 785856
 SITE ID NO.: 1412
 PROPERTY NO.: 167739
 FILE NAME: 29944-CS.dwg
 CEI PROJECT NUMBER: 29944
 REVISION: REV-1 DATE: 08/14/17
 SHEET TITLE: **DETAIL SHEET II**
 SHEET NUMBER: **C11**

Firestone
COMPLETE AUTO CARE
 NEW FCAC STORE
 8-BAY-FCAC-ER-RIGHT
 1900 RICHMOND RD
 WILLIAMSBURG, VA
 SHEET NUMBER: **C11**