

PRO
 ARCHITECTS & ENGINEERS
 3065 SCHARINGTON HILL BLVD. SUITE 105
 MORRISVILLE, NORTH CAROLINA 27560
 PH: 919 544 5399
 FAX: 919 544 7251
 A DIVISION OF LINTH & ASSOCIATES

FOR REFERENCE ONLY

Handtees
 HARDEE'S REVERSE PROTOTYPE
 500 US-317
 BURGAW, NC 28425

OWNER:
BNE
 BODDIE-NOELL ENTERPRISES, INC.
 P.O. BOX 1908
 ROCKY MOUNT, NC 27802-1908
 (252) 937-2800

NO.	REVISIONS	DESCRIPTION	DATE

WIRING SCHEMATICS

DATE: 6-23-17

SHEET NUMBER: **CPI-2.3**

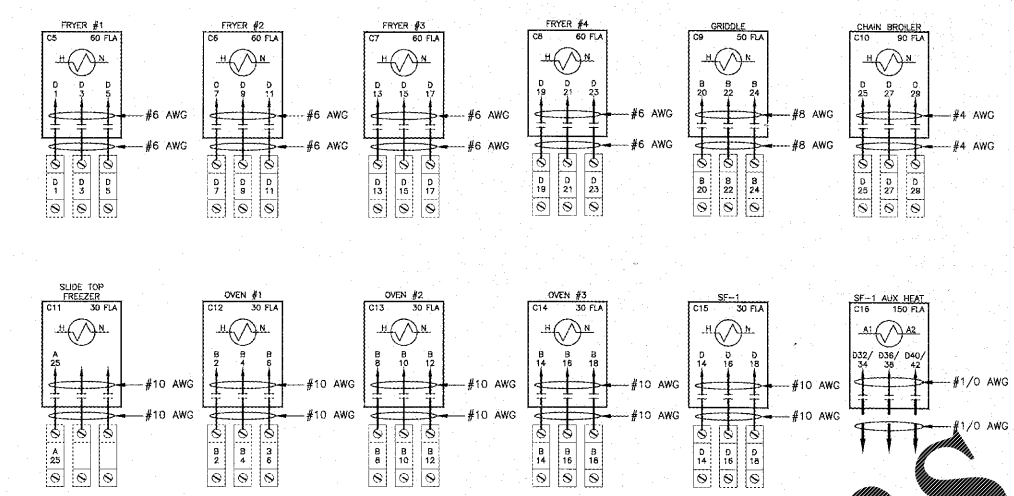
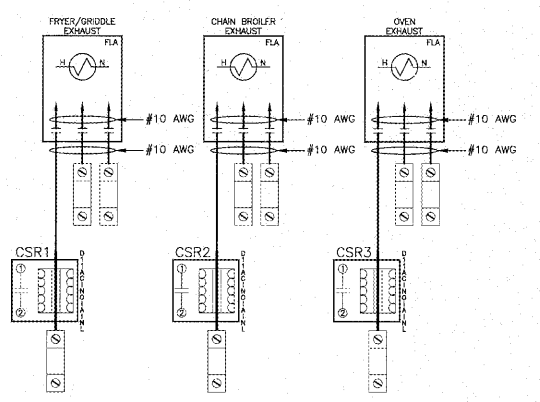
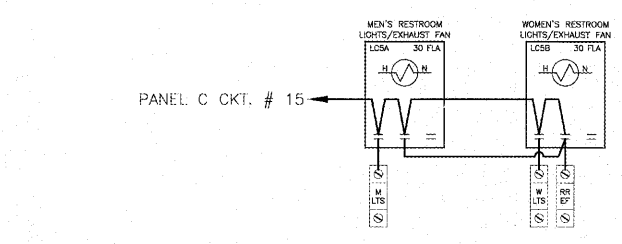
CAROLINA PRODUCTS, INC.
 1132 PRO AM DR.
 CHARLOTTE, NC 28211
 PH: (704) 364-9029, FX: (704) 367-1125

CPI
 CAROLINA PRODUCTS, INC.
 CONTROL AND POWER INTEGRATION

THIS DRAWING IS THE PROPERTY OF CAROLINA PRODUCTS, INC. AND MAY NOT BE USED OR REPRODUCED WITHOUT THE WRITTEN PERMISSION OF CAROLINA PRODUCTS, INC.

HARDEE'S: BODDIE NOELL ENTERPRISES
 BURGAW, NC
 WIRING SCHEMATICS

CPI PROJECT # 21932A
 CPI DRAWING # BNE-21932A
 SHEET: 2.3
 DATE: 7/18/17
 DRAWN BY: AJW



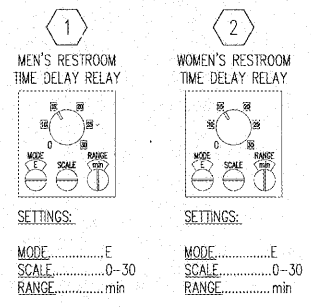
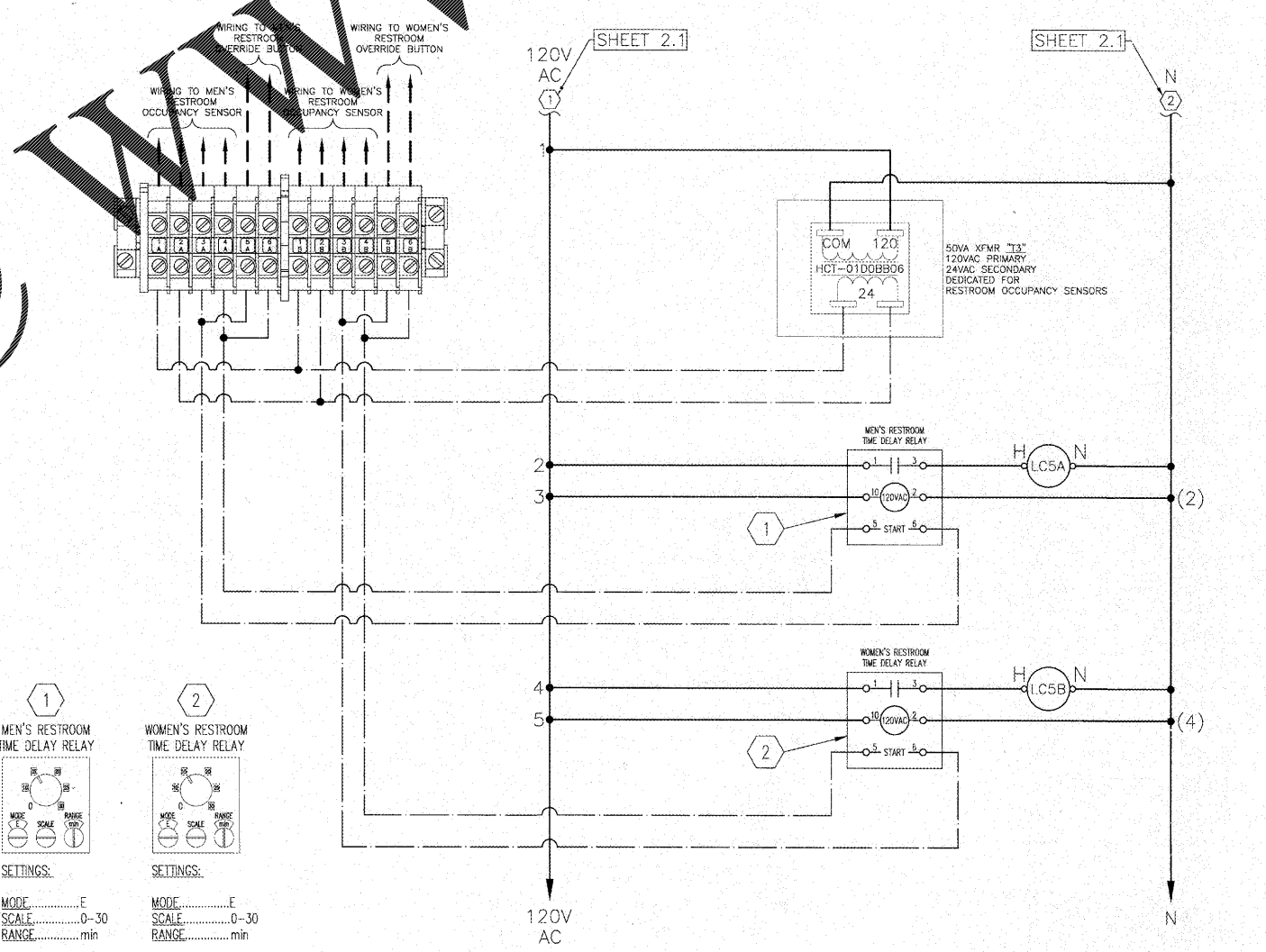
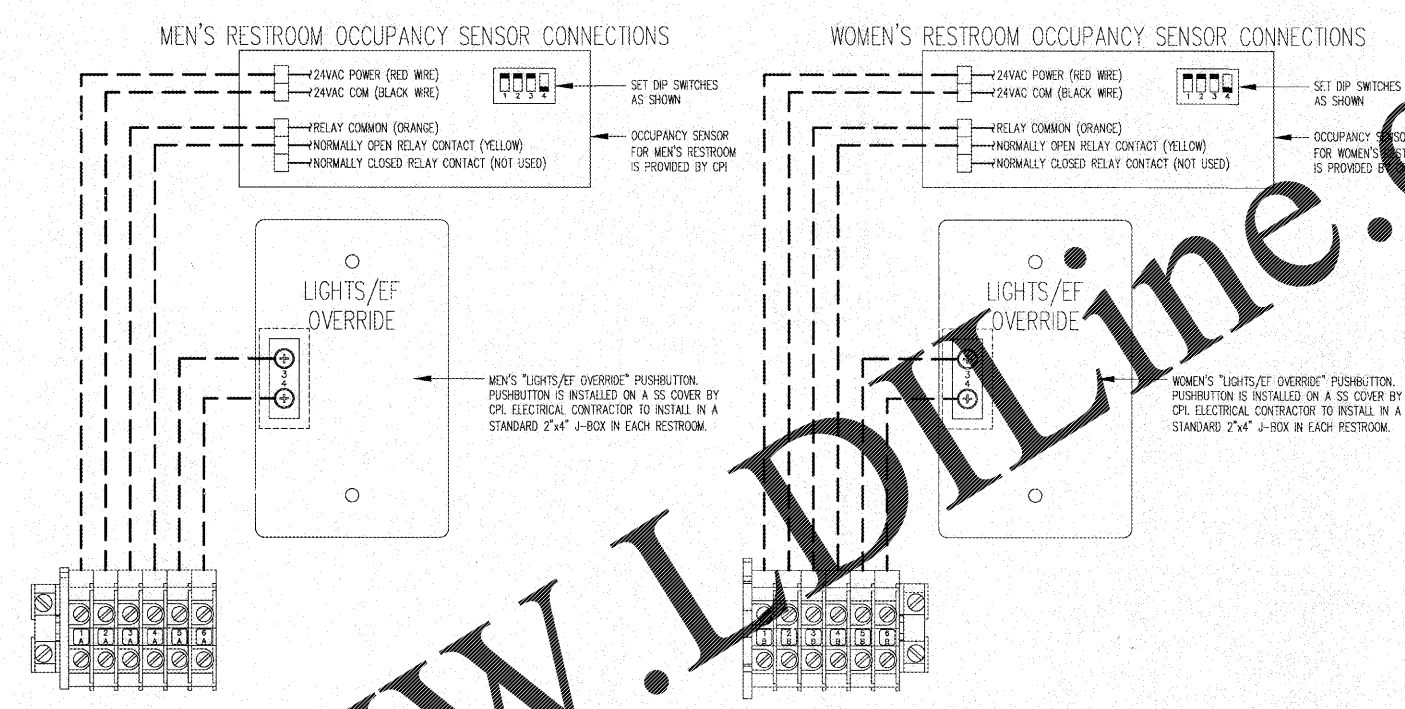
****VERY IMPORTANT NOTE****
 ALL CT, CAT-5e & SENSOR WIRING TO BE SEPARATED FROM LINE VOLTAGE ON CONTROL SCREEN AND AT THE ADM 204. NO EXCEPTIONS.

WIRE LEGEND:

DASHED	FIELD
SOLID	14AWG
DASHED-DOT	18AWG
THICK-SOLID	CAT-5
DASHED THICK	2-WIRE SHIELDED

208Y/120V COLOR CODING

- A PHASE-BLACK
- B PHASE-RED
- C PHASE-BLUE
- NEUTRAL-WHITE



@

WWW.LDOnline.com