

NRD
 national restaurant designers
 ARCHITECTS & ENGINEERS
 1005 CARRINGTON HILL BLVD. SUITE 105
 WOODFORD, NORTH CAROLINA 27686
 PH: 919.544.7251 Fax: 919.544.9399
 A Division of LHM Associates

CAROLINA PRODUCTS, INC.
 1132 PRO AM DR.
 CHARLOTTE, NC 28214
 PH. (704)364-9029, FX. (704)367-1121

CPI
 CAROLINA PRODUCTS, INC.
 CONTROL AND POWER INTEGRATION

THE DRAWING IS THE PROPERTY OF CAROLINA PRODUCTS, INC. AND MAY NOT BE COPIED OR REPRODUCED WITHOUT THE WRITTEN PERMISSION OF CAROLINA PRODUCTS, INC.

REVISION	
REVISION	
REVISION	
REVISION	

Reynolds
 REYNOLDS METAL PRODUCTS COMPANY
 HARDWARE SECTION PROTOTYPE
 BURGAW, NC 28424

OWNER:
BNE
 BODDIE NOELL ENTERPRISES, INC.
 P.O. BOX 1908
 ROCKY MOUNT, NC
 27802-1908
 (252) 937-2800

BNE

NO.	DATE	DESCRIPTION

DRAWN BY: CHECKED BY:

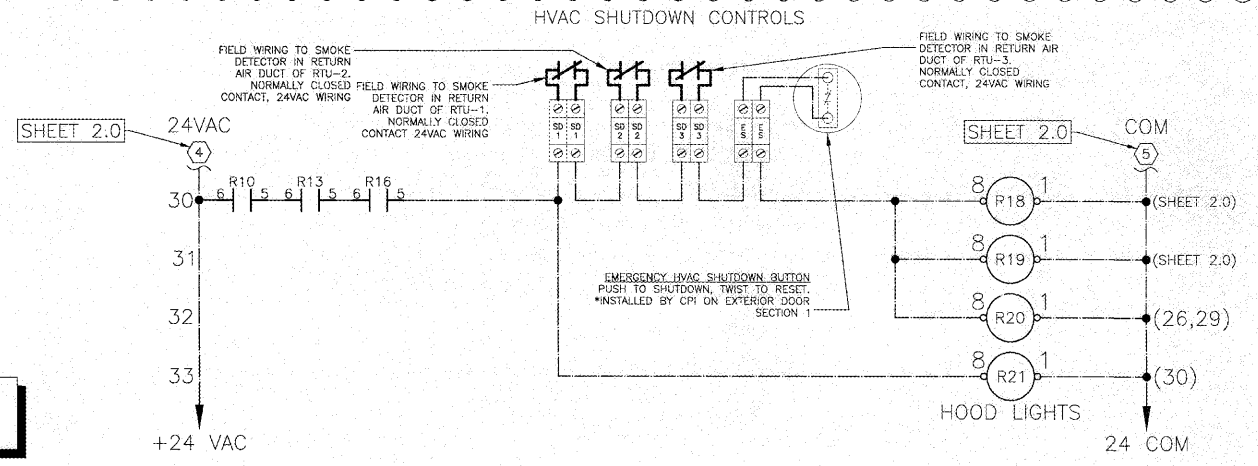
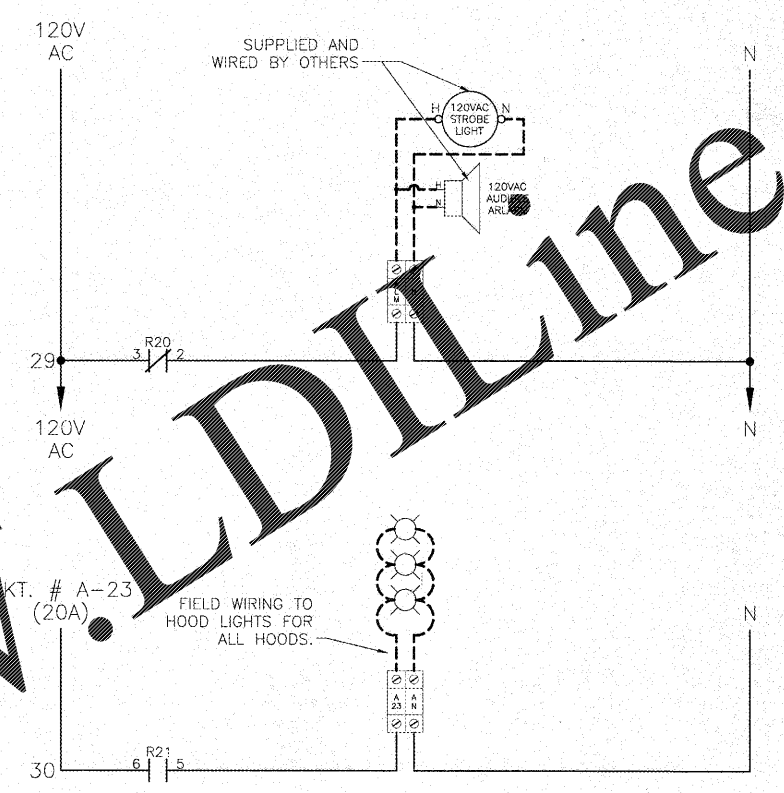
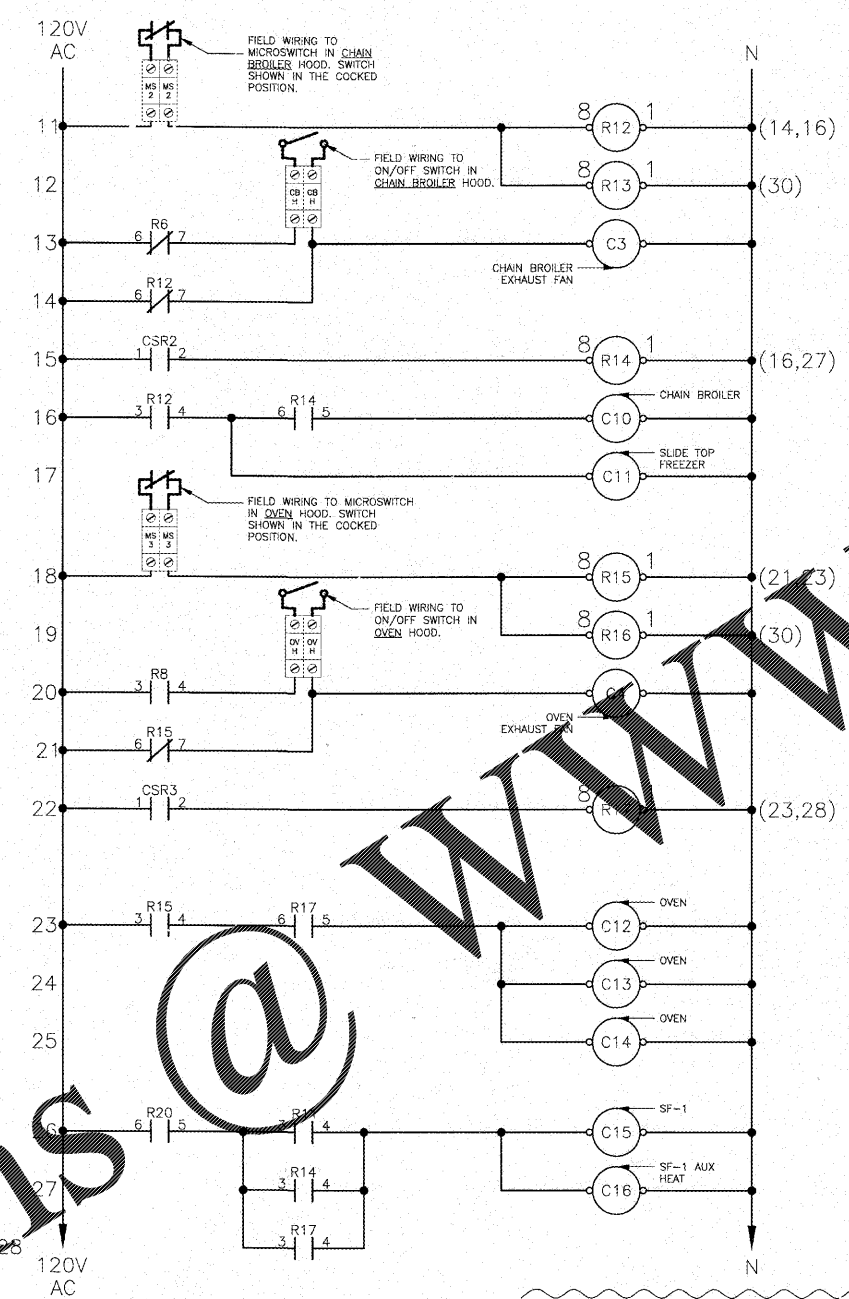
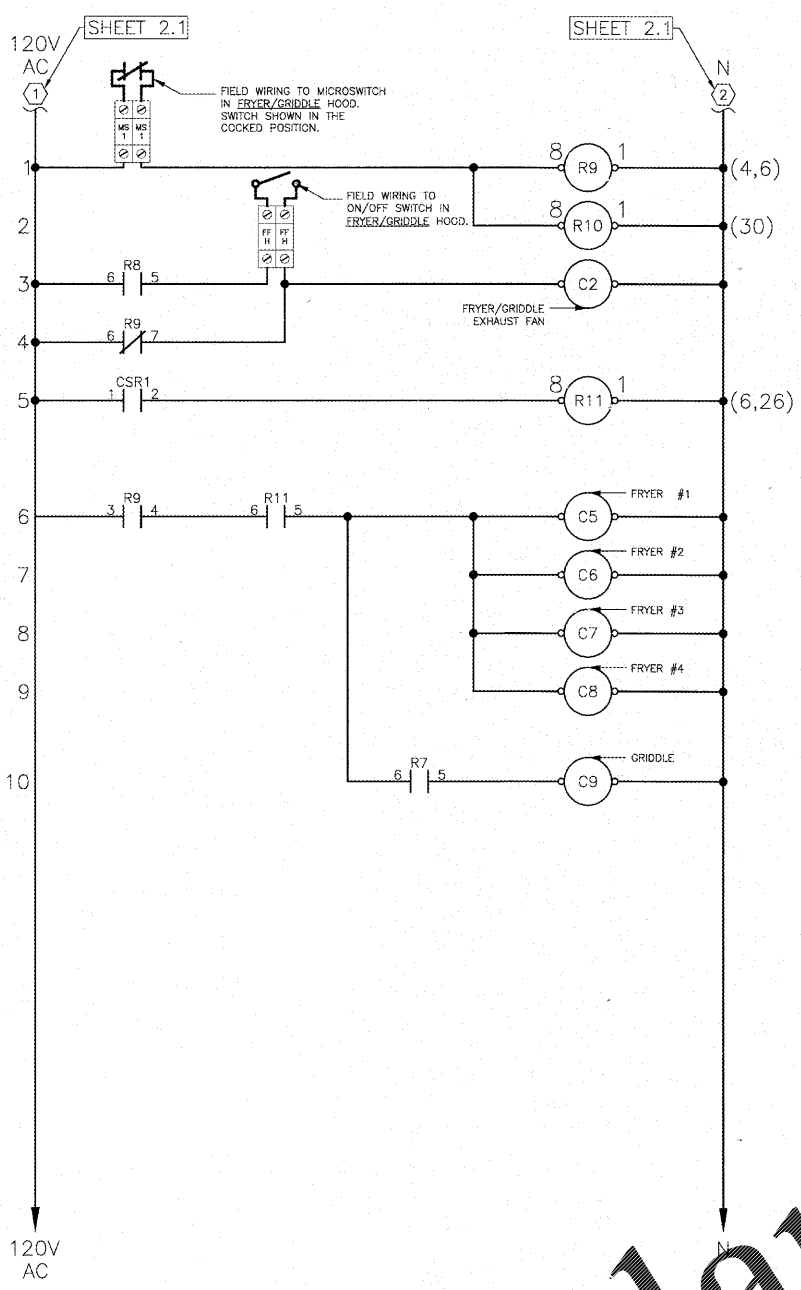
WIRING SCHEMATICS

DATE: 6-23-17

SHEET NUMBER:
CPI-2.2

HARDEE'S: BODDIE NOELL ENTERPRISES
 BURGAW, NC
 WIRING SCHEMATICS

CPI PROJECT # 21932A
 CPI DRAWING # BNE-21932A
 SHEET: 2.2
 DATE: 7/18/17
 DRAWN BY: AJW



WIRE LEGEND

DASHED	FIELD
SOLID	14AWG
DASHED-DOT	18AWG
THICK SOLID	CAT-5
DASHED THICK	2-WIRE SHIELDED

208Y/120V COLOR CODING

- A PHASE-BLACK
- B PHASE-RED
- C PHASE-BLUE
- NEUTRAL-WHITE

****VERY IMPORTANT NOTE****
 ALL CT, CAT-5e & SENSOR WIRING TO BE SEPARATED FROM LINE VOLTAGE ON CONTROL SCREEN AND AT THE ADM-1204. NO EXCEPTIONS!

www.ldilme.com
 Order Plans @