

**MRD** restaurant designers  
 ARCHITECTS & ELECTRICAL ENGINEERS  
 3005 CARRINGTON HILL BLVD., SUITE 100  
 CHARLOTTE, NORTH CAROLINA 28211  
 PH. 919.544.7261 FAX. 919.544.5338  
 A Division of LMK Associates

CAROLINA PRODUCTS, INC.  
 1132 PRO AM DR.  
 CHARLOTTE, NC 28211  
 PH.(704)364-9029 , FX.(704)364-1121

**CPI**  
 CAROLINA PRODUCTS, INC.  
 CONTROL AND POWER INTEGRATION

THIS DRAWING IS THE PROPERTY OF CAROLINA PRODUCTS, INC. AND MAY NOT BE USED OR REPRODUCED WITHOUT THE WRITTEN PERMISSION OF CAROLINA PRODUCTS, INC.

**Renoldidea**  
 HARDWARES & SUPPLIES  
 BURGAW, NC 28597  
 (252) 937-2800

**OWNER:**  
**BODDIE-NOELL ENTERPRISES, INC.**  
 P.O. BOX 1908  
 ROCKY MOUNT, NC 27802-1908  
 (252) 937-2800

NO.	REVISIONS	DESCRIPTION	DATE

DRAWN BY: CHECKED BY:

C.T. DETAILS

DATE: 6-23-17

SHEET NUMBER: **CPI-1.2**

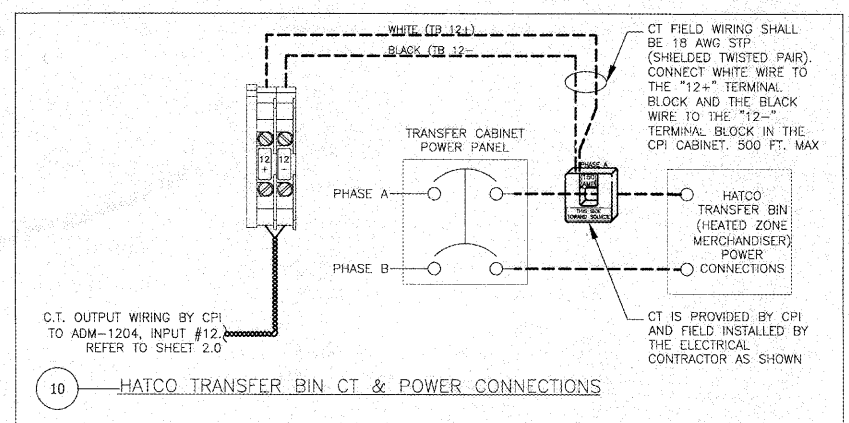
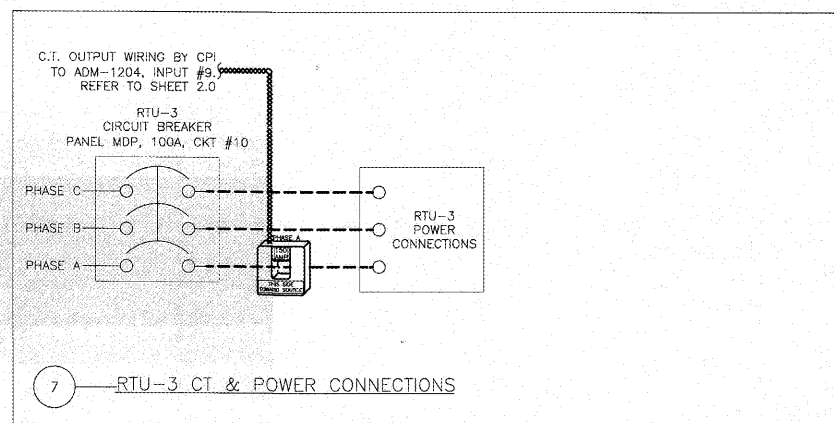
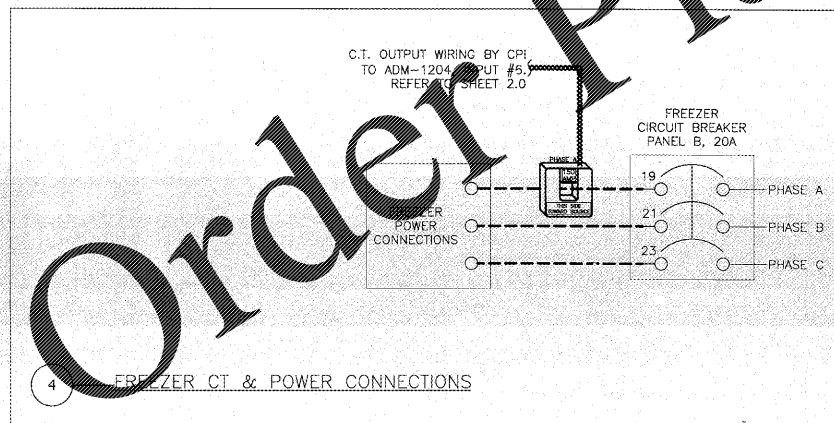
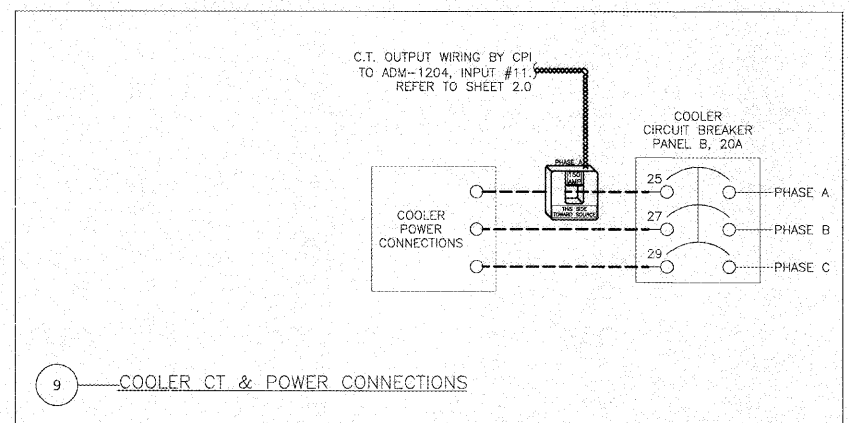
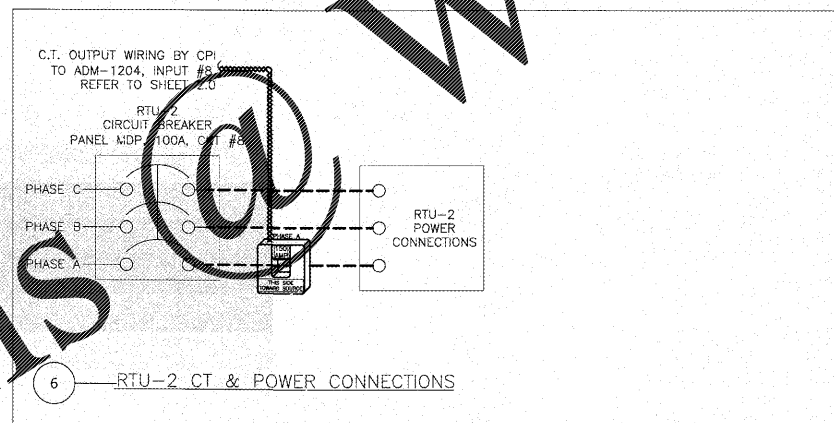
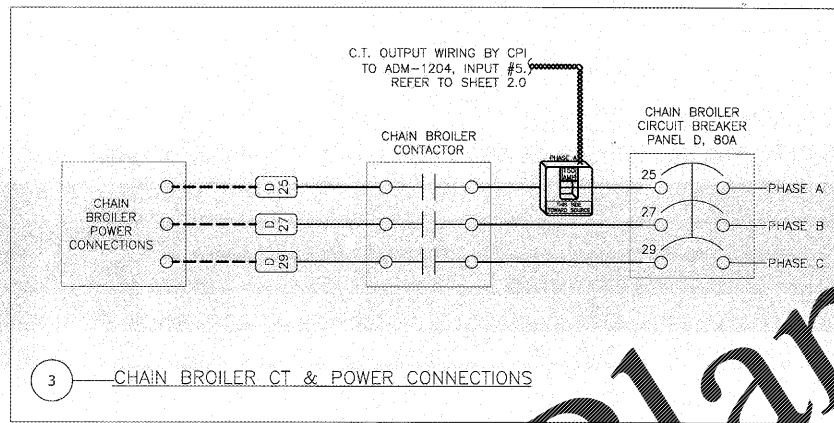
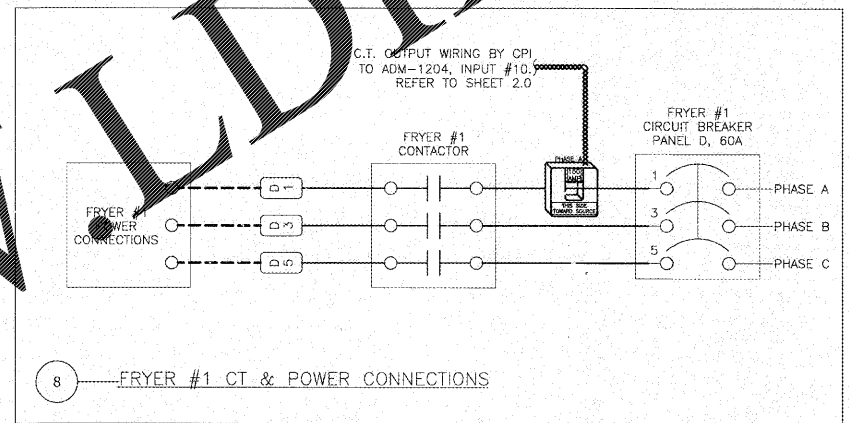
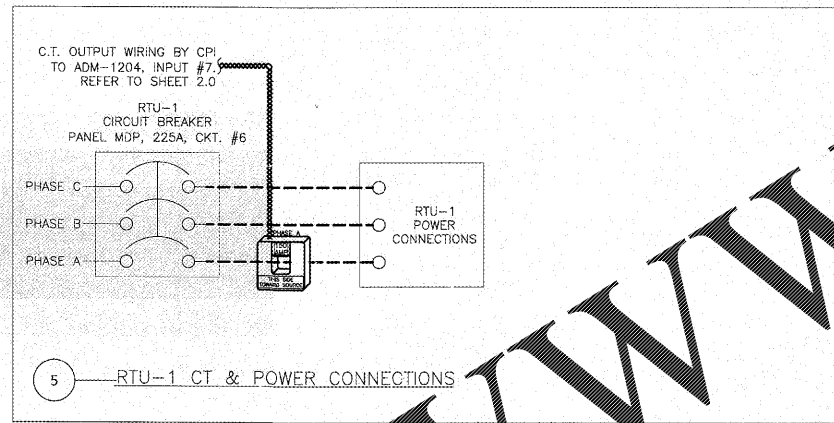
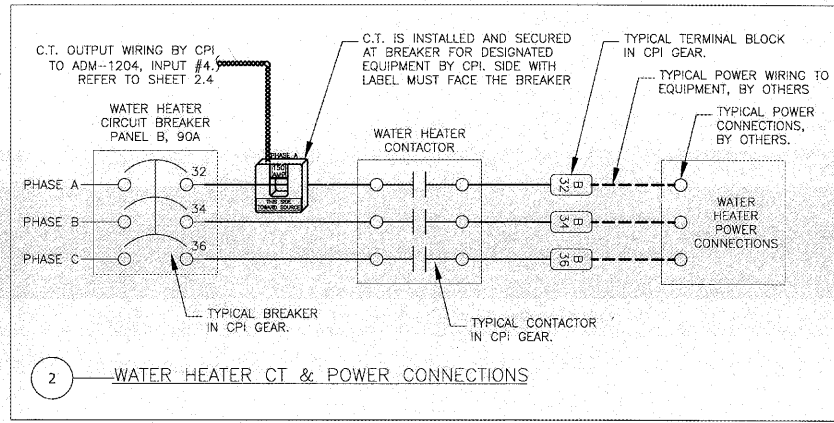
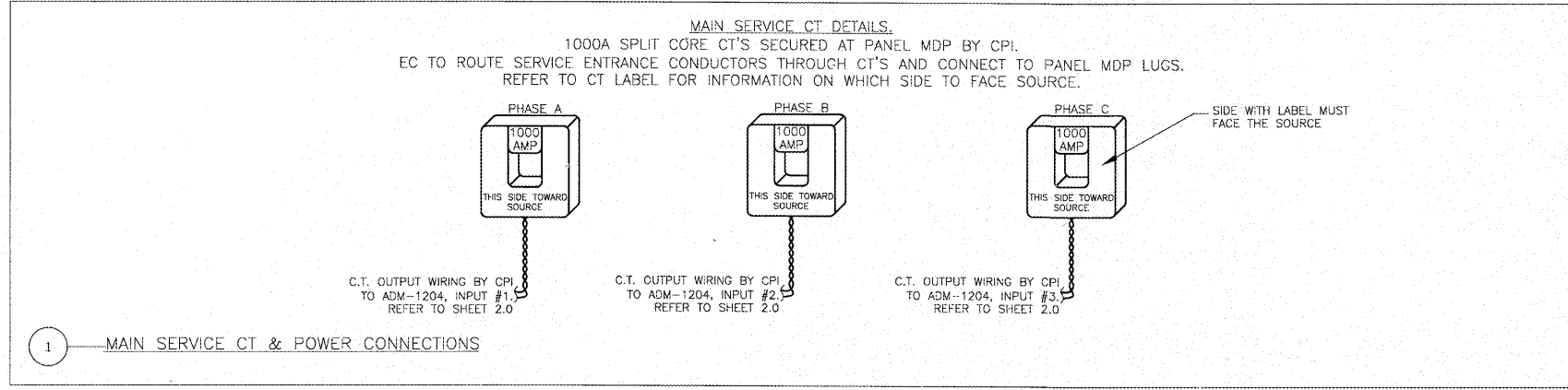
HARDEE'S: BODDIE NOELL ENTERPRISES  
 BURGAW, NC  
 C.T. DETAILS

CPI PROJECT # 21932A  
 CPI DRAWING # BNE-21932A  
 SHEET: 1.2  
 DATE: 7/18/17  
 DRAWN BY: AJW

- 208Y/120V COLOR CODING**
- A PHASE-BLACK
  - B PHASE-RED
  - C PHASE-BLUE
  - NEUTRAL-WHITE

- WIRE LEGEND:**
- DASHED ----- FIELD
  - SOLID ----- 14AWG
  - DASHED-DOT ----- 18AWG
  - THICK-SOLID ----- CAT-5
  - DASHED THICK ----- 2-WIRE SHIELDED

**\*\*VERY IMPORTANT NOTE\*\***  
 ALL CT, CAT-5e & SENSOR WIRING TO BE SEPARATED FROM LINE VOLTAGE ON CONTROL SCREEN AND AT THE ADM-1204. (EXCEPTIONS!)



**Order Plans**

**WWW.LDILine.com**