

national
architectural
designers

ARCHITECTS & ENGINEERS

3025 GARRINGTON MILL RD. SUITE 105
MCHESVILLE, NORTH CAROLINA 27560
PH: 919 544 7251 FAX: 919 544 9369
A Division of LMK Architects

ASSOCIATED
P.A.
CORPORATION

178
CERT. NO.

3177

3177

StarHarden
CORPORATION

HARDEE'S REVERSE PROTOTYPE
BURGAU, NC 28429

BODDIE-NOELL
ENTERPRISES, INC.
P.O. BOX 908
ROCKY MOUNT, NC
27862-1908
(252) 937-2800

OWNER:

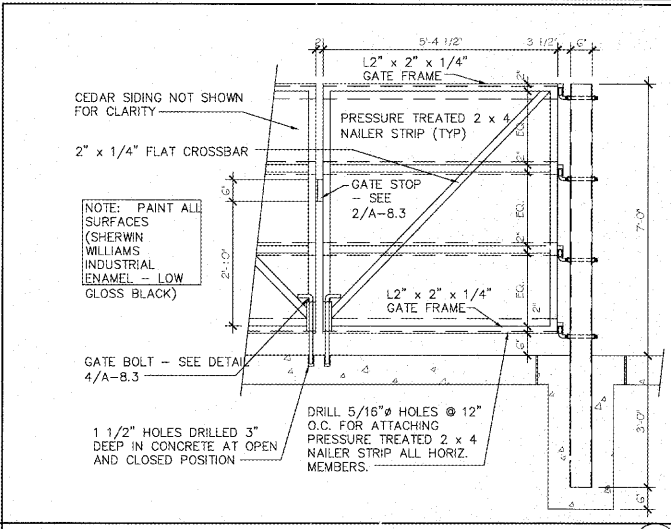
NO.	DESCRIPTION	DATE

DRAWN BY: _____ CHECKED BY: _____

DUMPSTER ENCLOSURE & ROOF LADDER DTLS.

DATE: 6-23-17

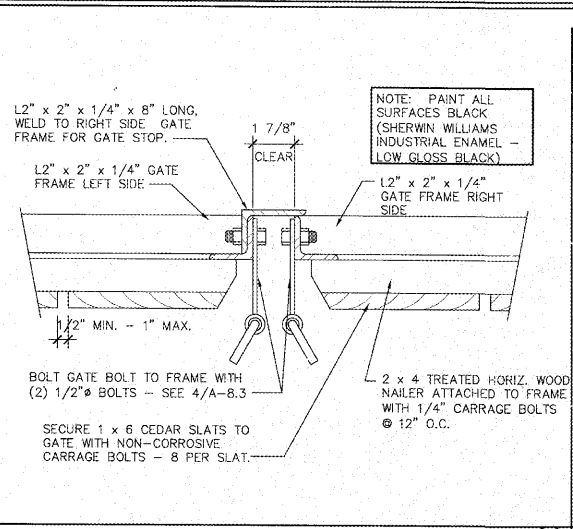
SHEET NUMBER:
A-8.2



GATE FRAME DETAIL

SCALE: 1/2" = 1'-0"

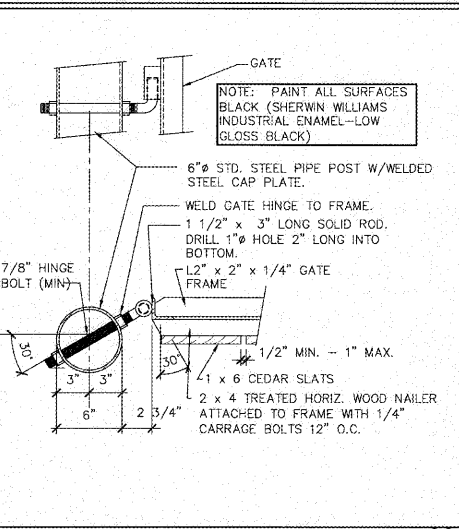
1



GATE BOLT ASSEMBLY DETAIL

SCALE: 3/4" = 1'-0"

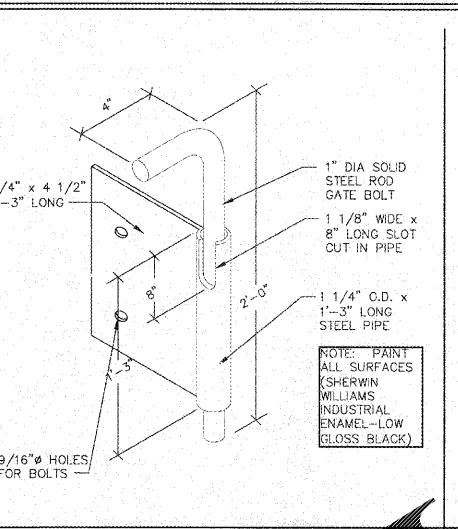
2



GATE/POST & HINGE DTL.

SCALE: 1 1/2" = 1'-0"

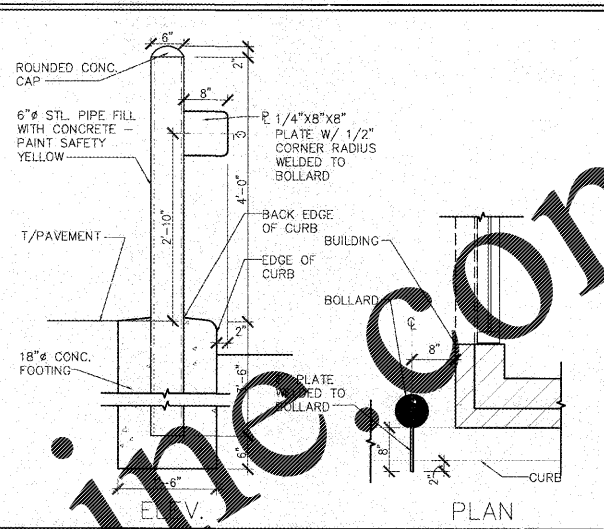
3



GATE BOLT DETAIL

SCALE: 1/2" = 1'-0"

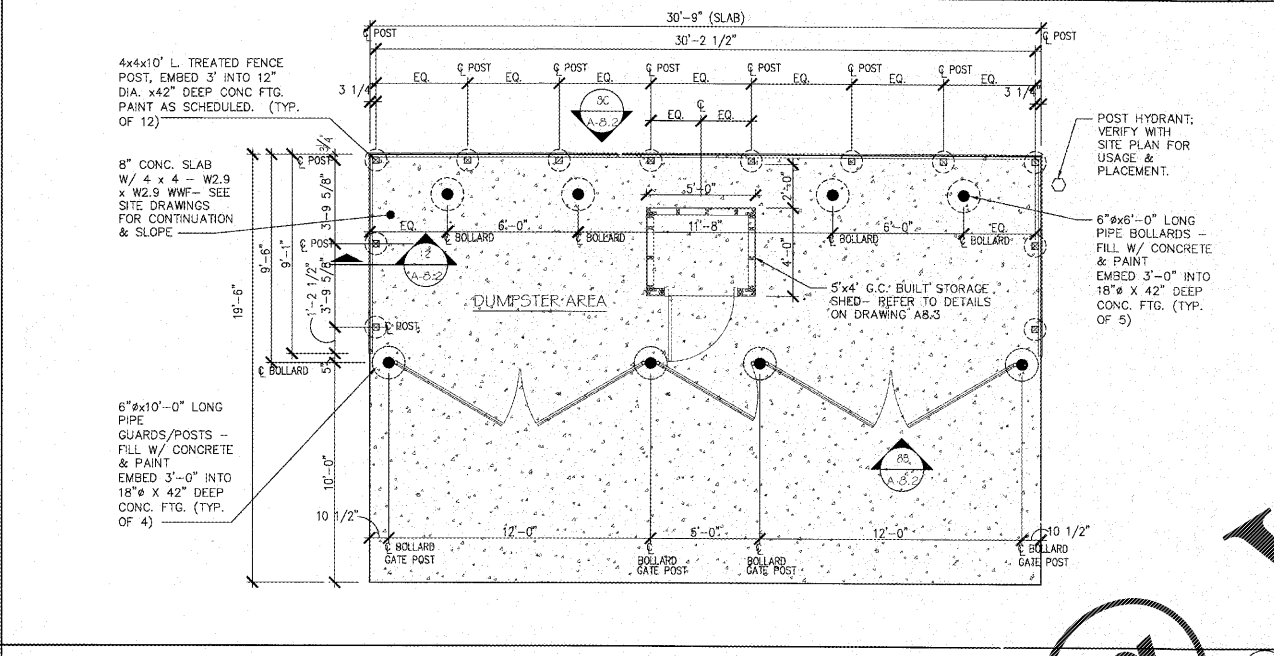
4



TYPICAL BOLLARD DETAIL

SCALE: 3/4" = 1'-0"

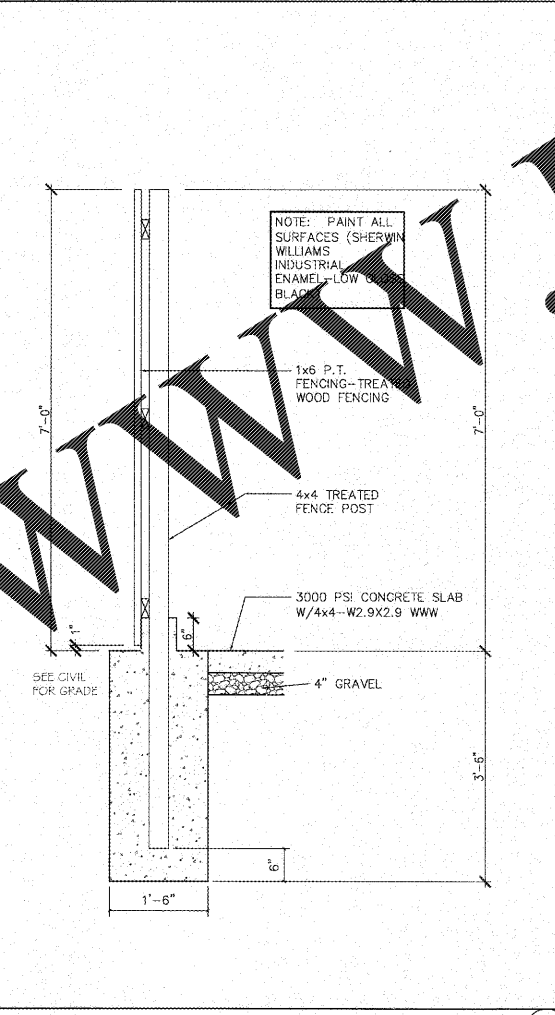
11



DUMPSTER PLAN

SCALE: 1/4" = 1'-0"

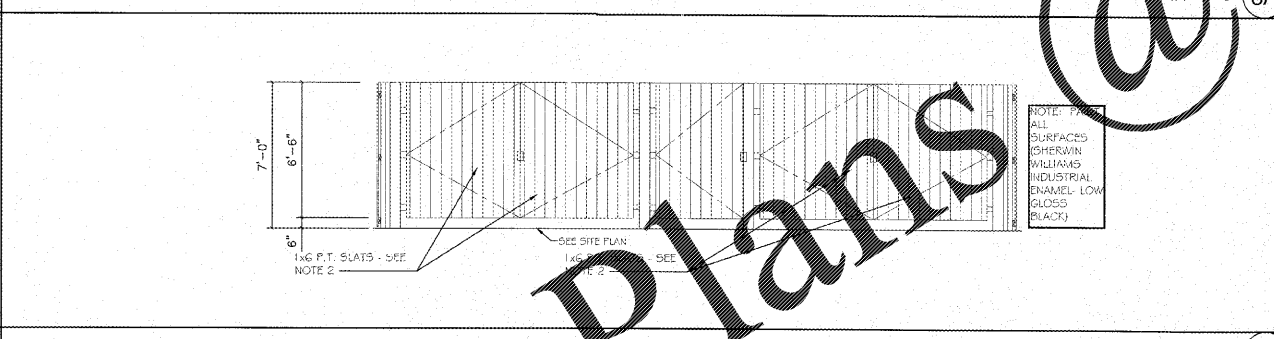
8A



FENCE POST DETAIL

SCALE: 3/4" = 1'-0"

9



DUMPSTER FRONT ELEVATION

SCALE: 1/4" = 1'-0"

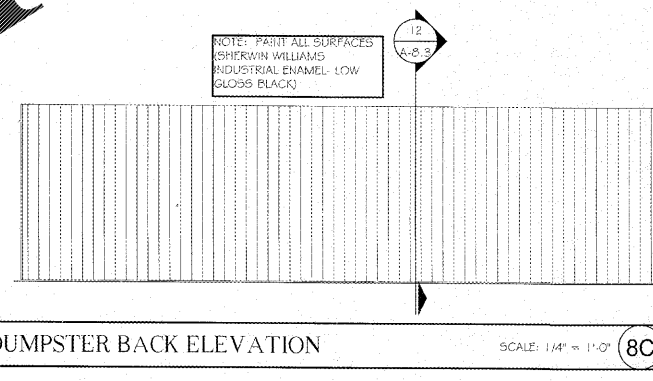
8B

GENERAL NOTES

SCALE: 1/4" = 1'-0"

7

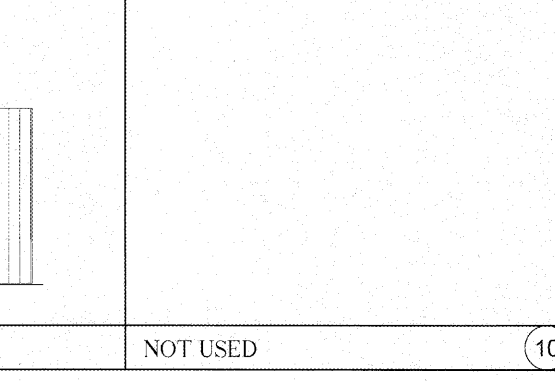
- GENERAL CONTRACTOR SHALL VERIFY DUMPSTER REQUIREMENTS WITH AUTHORITIES AND COORDINATE WITH INDICATED DIMENSIONS.
- WOOD GATE TO BE PAINTED W/ SHERWIN WILLIAMS INDUSTRIAL ENAMEL-LOW GLOSS BLACK.
- DUMPSTER BOLLARDS, DOOR FRAME, HAND RAILS AND DUMPSTER ENCLOSURE TO BE PAINTED WITH SHERWIN WILLIAMS INDUSTRIAL ENAMEL-LOW GLOSS BLACK.
- SUPPLY SHED EXTERIOR FINISH TO BE SHERWIN WILLIAMS INDUSTRIAL ENAMEL-LOW GLOSS BLACK.
- PROVIDE 2" O.C. GRATE AS INDICATED SHED FLOORING AT 18" O.C. AT CONCRETE SLAB CONSTRUCTION.



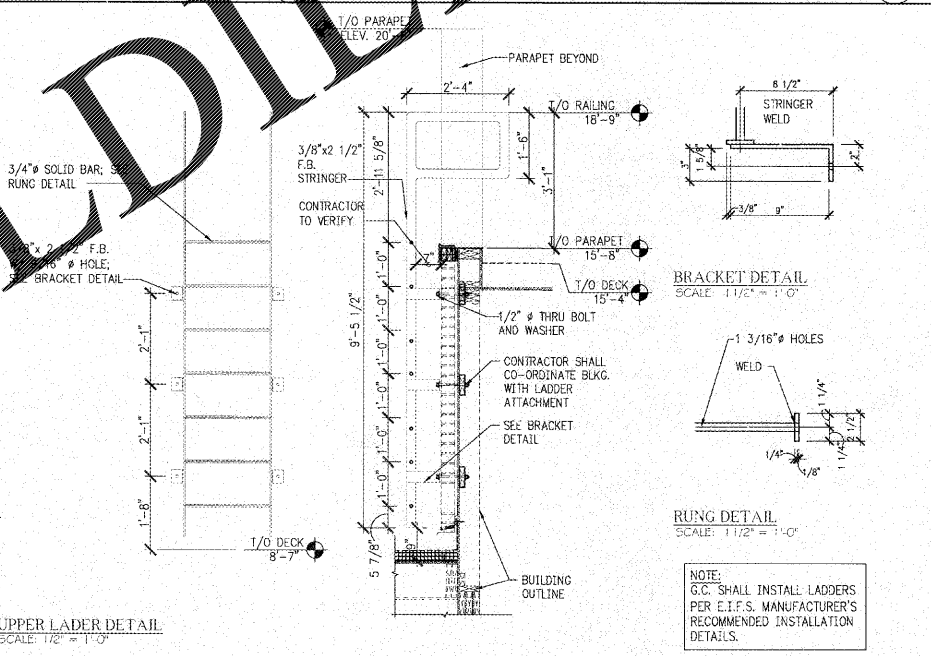
DUMPSTER BACK ELEVATION

SCALE: 1/4" = 1'-0"

8C



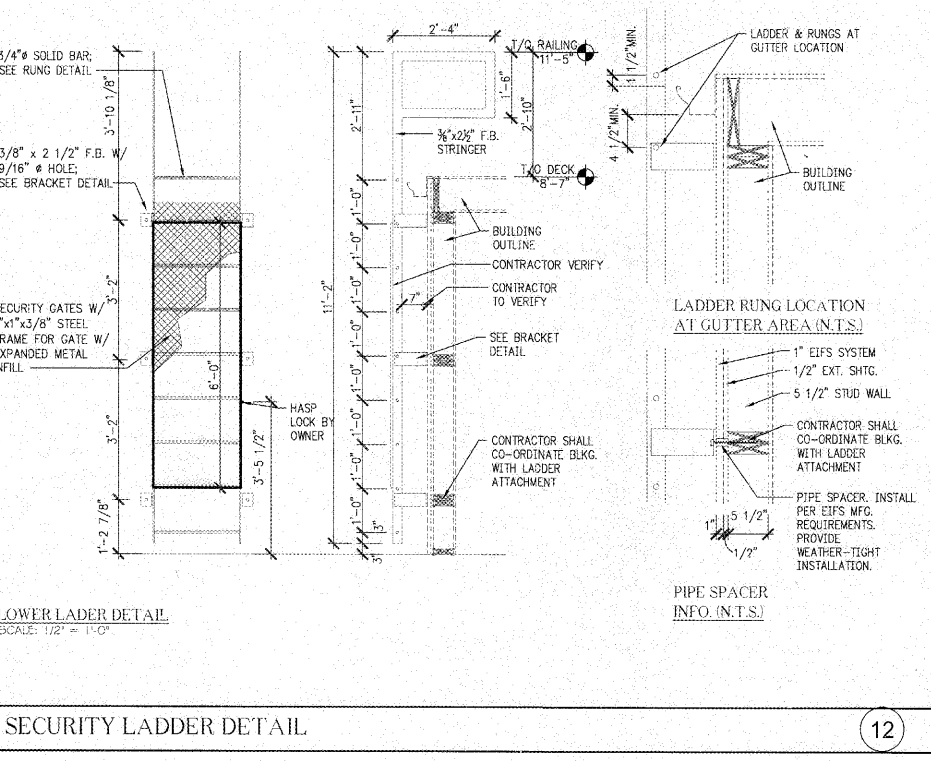
NOT USED



UPPER LADDER DETAIL

SCALE: 1/2" = 1'-0"

10



LOWER LADDER DETAIL

SCALE: 1/2" = 1'-0"

12

Order Plans @