

national
restaurant
designers
ARCHITECTS & ENGINEERS
 3005 CARRINGTON MILL BLVD. SUITE 105
 NORFOLK, NORTH CAROLINA 27601
 PH: 919 544 7251 FAX: 919 544 8399
 A DIVISION OF LMHT ASSOCIATES

LMHT ASSOCIATES P.A.
 ARCHITECTS & ENGINEERS
 3117
 3117
 3117

Starbond
 HARDEE'S REVERSE PROTOTYPE
 BURLINGAME, CA 94010

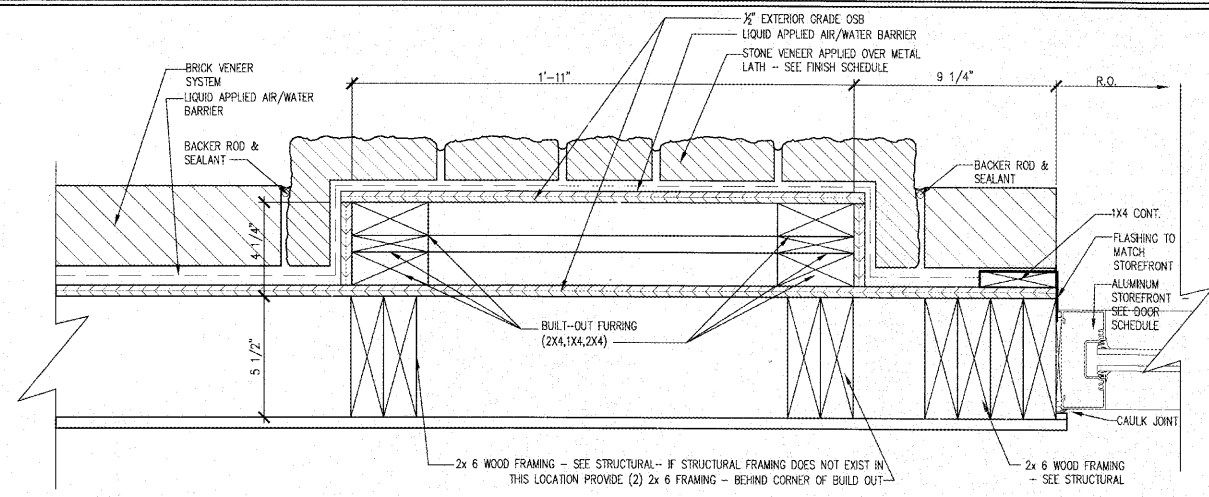
BODDIE-NOELL ENTERPRISES, INC.
 P.O. BOX 808
 ROCKY MOUNT, NC 27802-1908
 (252) 937-2800

NO.	DATE	DESCRIPTION

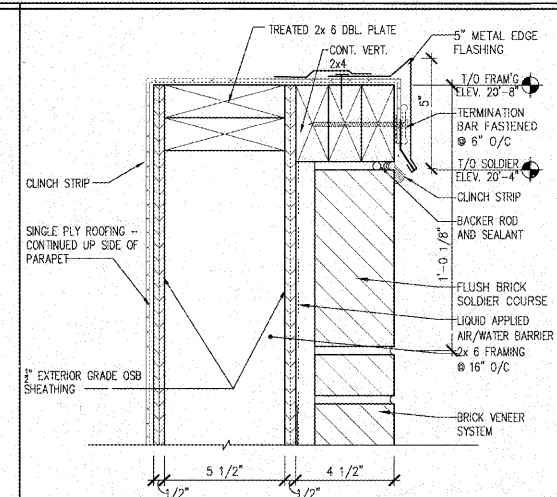
MISC. DETAILS

DATE: 6-23-17

SHEET NUMBER: **A-8.0**



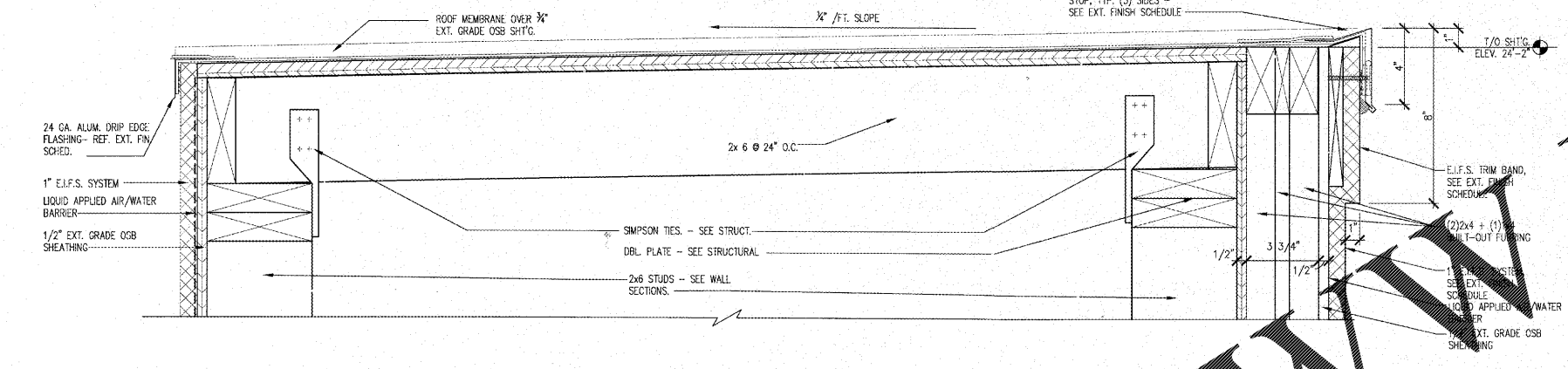
BUILD-OUT • TOWER DETAIL PLAN SCALE: 3" = 1'-0"



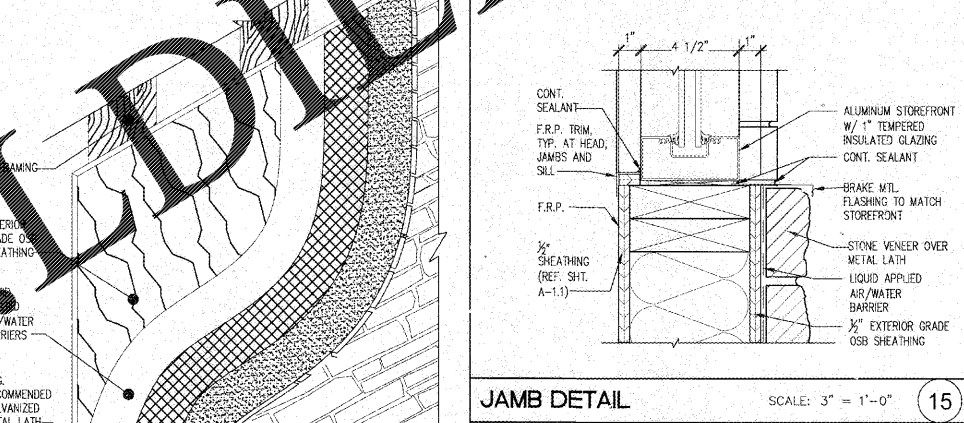
PARAPET COPING DETAIL SCALE: 3" = 1'-0"



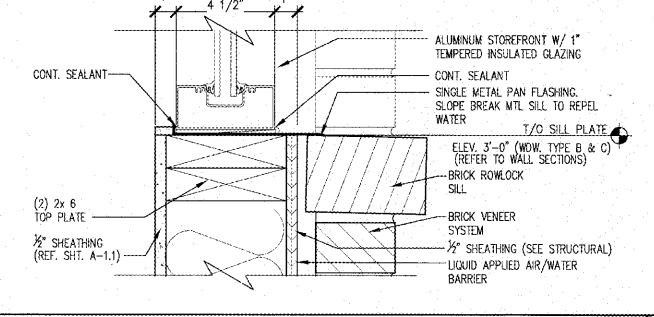
NOT USED NTS 3



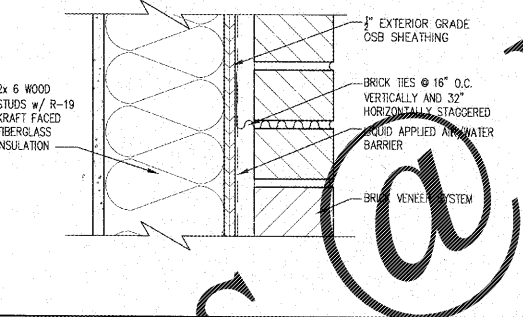
PARAPET COPING DETAIL • TOWER SCALE: 3" = 1'-0"



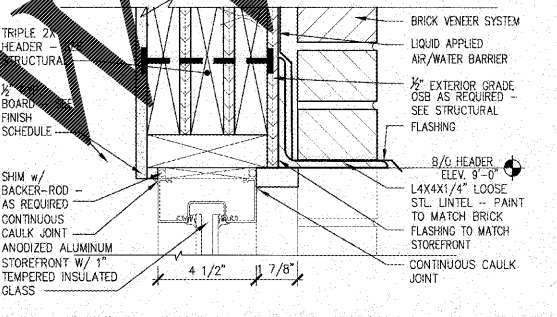
JAMB DETAIL SCALE: 3" = 1'-0"



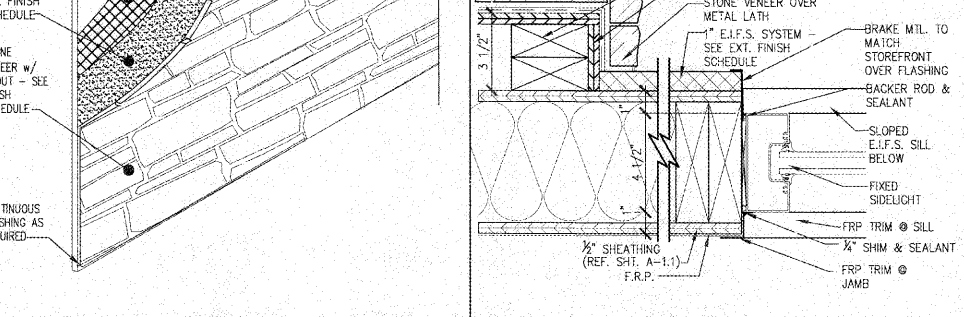
TYP. SILL DETAIL • STOREFRONT SCALE: 3" = 1'-0"



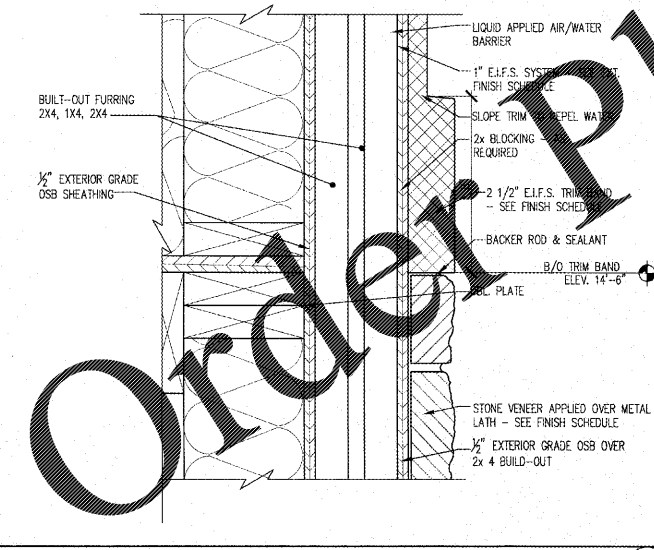
TYPICAL BRICK VENEER N.T.S.



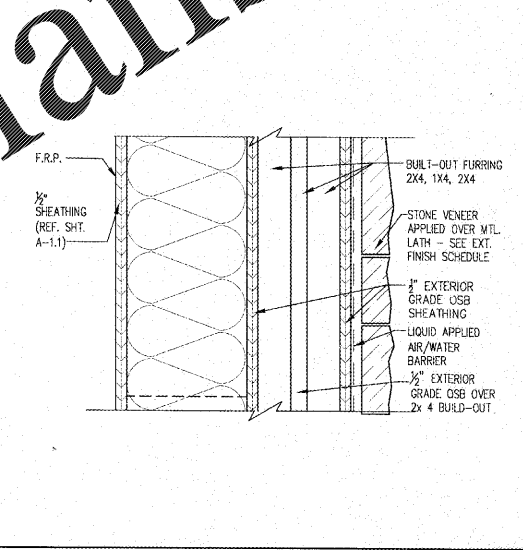
TYP. HEADER DETAIL • STOREFRONT SCALE: 3" = 1'-0"



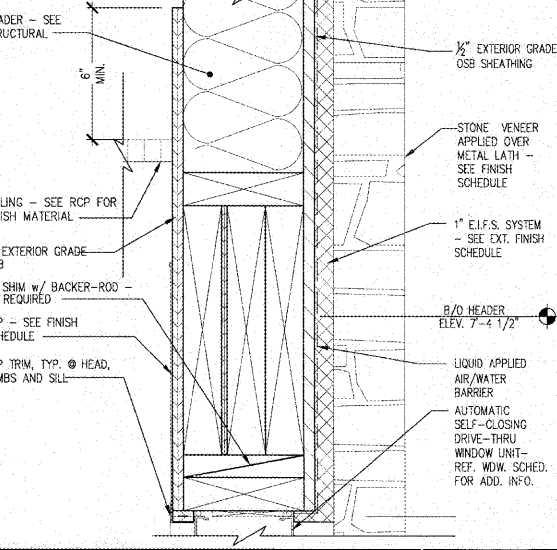
STONE VENEER INSTALLATION DTL. SCALE: 3" = 1'-0"



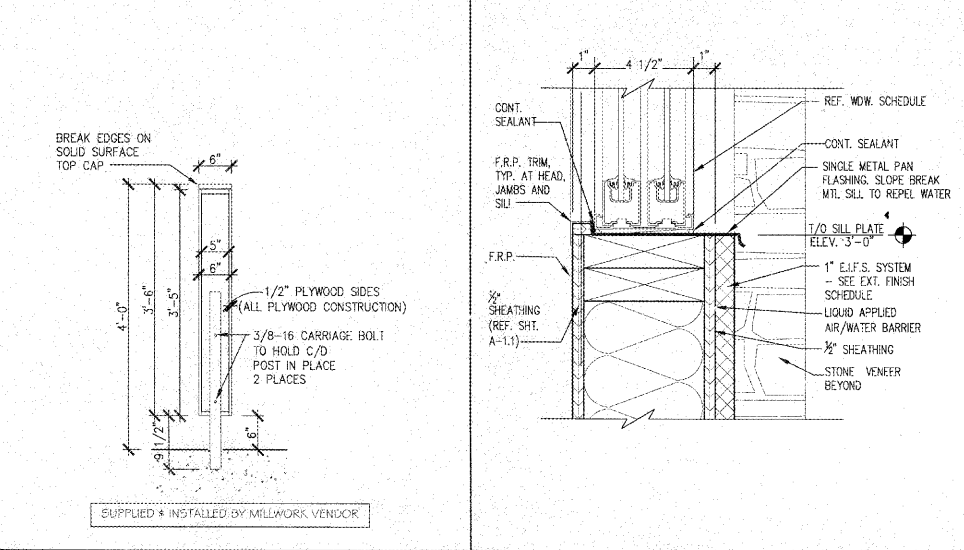
8\"/>



TYPICAL STONE VENEER DET. SCALE: 3" = 1'-0"



HEADER DETAIL • DRIVE- THRU SCALE: 3" = 1'-0"



SILL DETAIL • DRIVE-THRU SCALE: 3" = 1'-0"

Order Plans @

WWW.LDOnline.com