

national
restaurant
designers
ARCHITECTS ENGINEERS
 3005 CARRINGTON HILL, SUITE 105
 ROCKY MOUNT, NORTH CAROLINA 27802
 PH: 919.844.7255 FAX: 919.844.0399
 A. Davidson, Inc. L.M.A.T. Associates

ASSOCIATES P.A.
 REGISTERED PROFESSIONAL ARCHITECTS
 REGISTERED PROFESSIONAL ENGINEERS
 3117
 1717

Hardies
 HARDIE'S REVERSE PROTOTYPE
 500 US-117
 EUROPA, NC 28643

BODDIE-NOELL
 ENTERPRISES, INC.
 P.O. BOX 1908
 ROCKY MOUNT, NC
 27802-1908
 (252) 967-2800

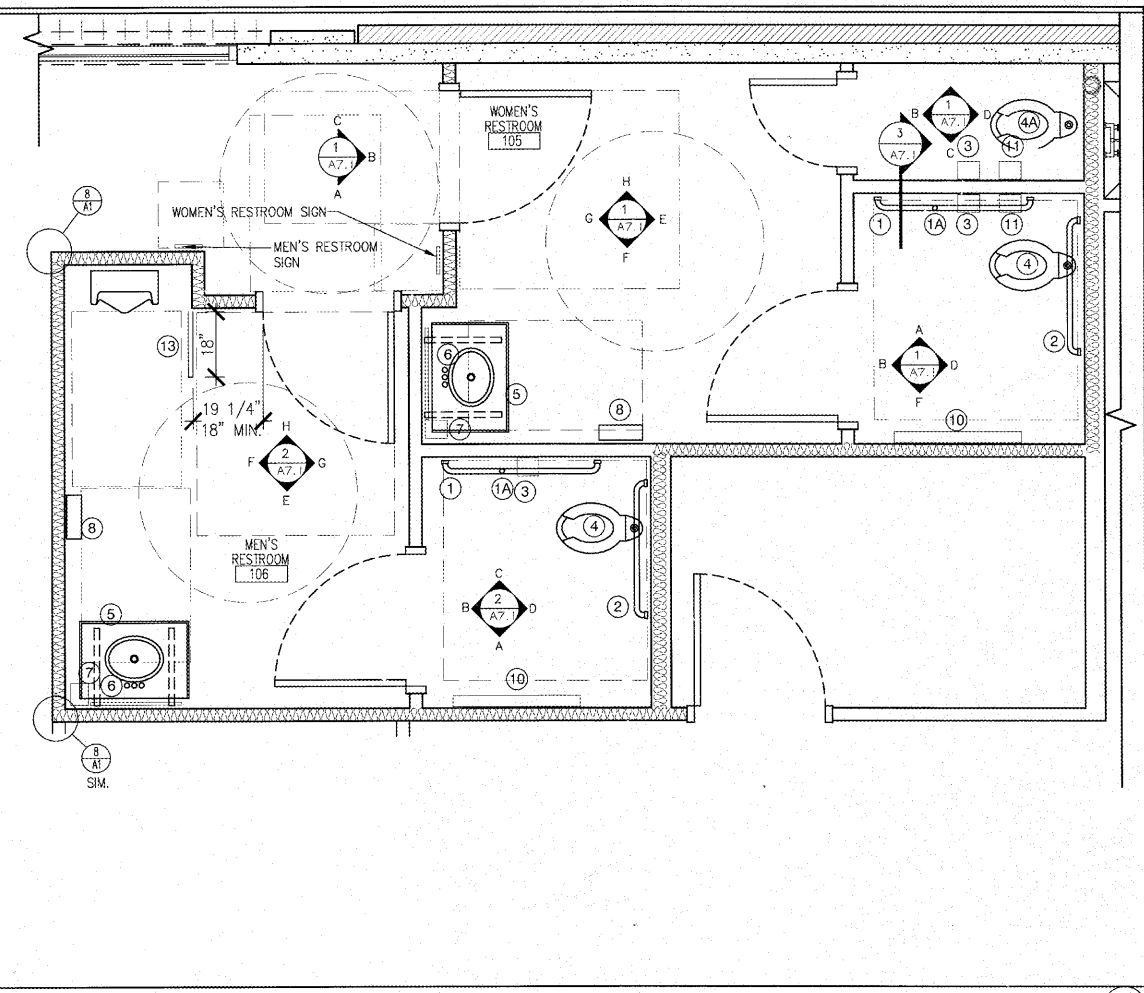
OWNER:

REVISIONS

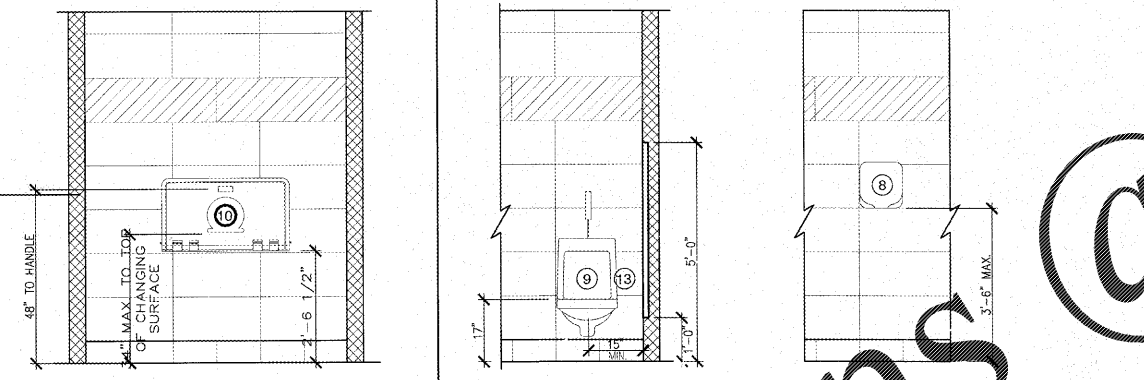
NO.	DESCRIPTION	DATE

ENLARGED RESTROOM PLAN & DETAILS

DATE: 6-23-17
 SHEET NUMBER: A-7.0



ENLARGED RESTROOM PLAN SCALE: 1/2" = 1'-0" 1

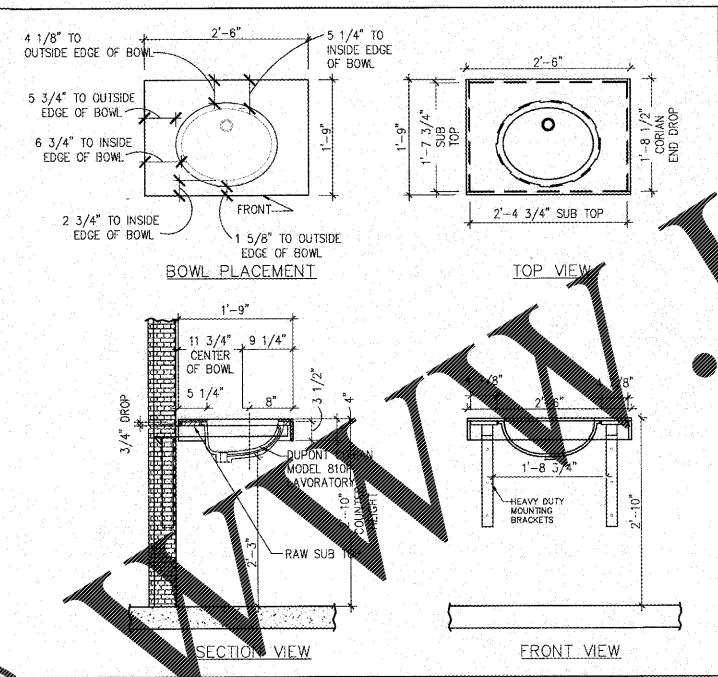


BABY CHANGING STATION MOUNTING DETAIL SCALE: 1/2" = 1'-0" 6
 URINAL DETAIL SCALE: 1/2" = 1'-0" 7
 HAND DRYER MOUNTING DETAIL SCALE: 1/2" = 1'-0" 8

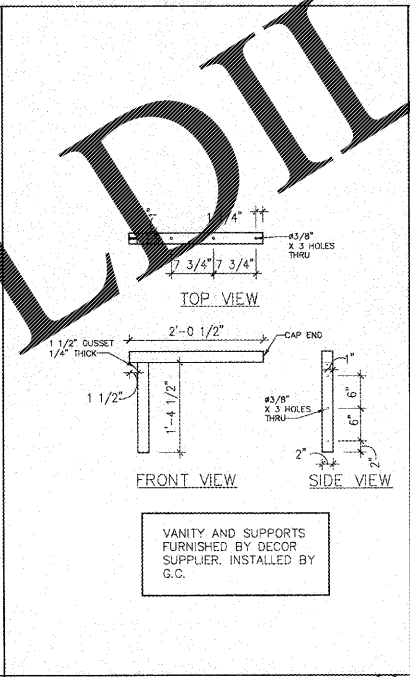
RESTROOM NOTES

NOTES:
 1. SEE FINISH PLAN FOR DOOR SCHEDULE AND FINISH SCHEDULES.
 2. SEE SHEET A1 FOR FRAMING DIMENSIONS.
 3. SEE SHEET A1.1 FOR SUBSTRATE INFORMATION.

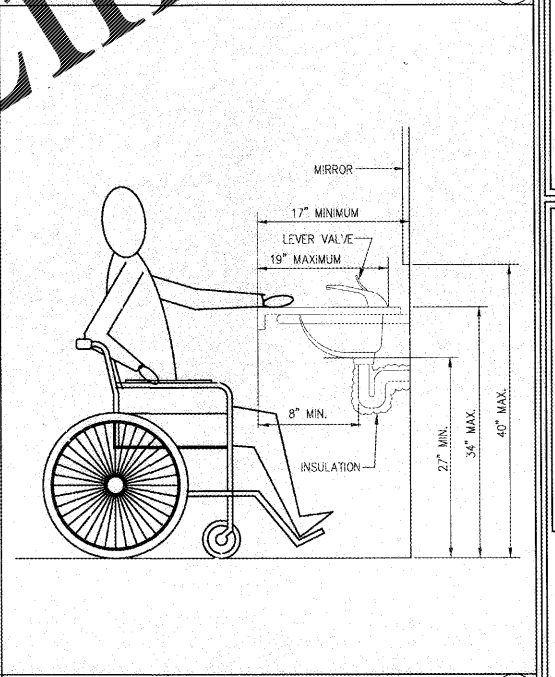
NOT USED



CUSTOM CORIAN SINK DETAIL SCALE: 3/4" = 1'-0" 3



BRACKET DETAIL SCALE: 3/4" = 1'-0" 4



ADA DETAILS - LAVATORY N.T.S. 5

ADA SIGNAGE

NOTE: SIGN SHALL BE BRUSHED ALUMINUM. 3/4" TALL RAISED LETTERING FONT SHALL BE "BANK GOTHIC" COLOR SHALL BE BLACK. CORRESPONDING GRADE 2 CLEAR RASTER STYLE BRAILLE.

NOTE: SIGN AT REAR SHIPPING DOOR SHALL BE DARK BROWN WITH WHITE LETTERS.

NOTE: BACK OF SIGN SHALL ALSO BE BRUSHED ALUMINUM AND FULLY ADHERED WITH CLEAR UNIFORM ADHESIVE.

HANDICAPPED SIGNAGE NOTES

- CHARACTERS AND SYMBOLS SHALL CONTRAST WITH THEIR BACKGROUND.
- IDENTIFICATION SYMBOLS ARE TO BE LOCATED ON WALL ADJACENT TO LATCH SIDE OF DOOR @ 60" A.F.F. AND ARE TO BE DISTINCTLY DIFFERENT FROM THE DOOR IN COLOR AND CONTRAST.
- PROVIDE ROOM IDENTIFICATION SIGN ON LATCH SIDE OF DOOR.
- LETTERS AND NUMBERS ON SIGNS SHALL BE RAISED 1/32" MIN. SHALL BE 5/8" MIN. HIGH AND SHALL BE SANS-SERIF UPPERCASE CHARACTERS ACCOMPANIED BY GRADE 2 BRAILLE.
- SIGN COLOR SHALL BE BROWN.

ADA SIGN

GRADE 2 BRAILLE

48" MIN. TO THE BOTTOM OF LOWEST BRAILLE (60" MAX. TO BOTTOM OF THE HIGHEST LETTERS)

RESTROOM ACCESSORY SCHEDULE:

TAG	QTY.	ITEM	BRAND	MODEL	BLOCKING	FURN. BY
1	2	42" HORIZONTAL GRAB BAR	BOBRICK	EXPOSED MOUNTING SERIES B-6106-42	(1) 2X6'S 4'-0" LONG CENTER MOUNTED @ 33" A.F.F. TO CENTER OF SUPPORT GRAB BAR.	G.C.
1A	2	18" VERTICAL GRAB BAR	BOBRICK	EXPOSED MOUNTING SERIES B-6106-18	(1) 2X6'S 4'-0" LONG CENTER MOUNTED @ 33" A.F.F. TO CENTER OF SUPPORT GRAB BAR.	G.C.
2	2	36" HORIZONTAL GRAB BAR	BOBRICK	EXPOSED MOUNTING SERIES B-6106-36	(1) 2X6'S 4'-0" LONG CENTER MOUNTED @ 33" A.F.F. TO CENTER OF SUPPORT GRAB BAR.	G.C.
3	3	TOILET TISSUE DISPENSER	BY OWNER, G.C. TO INSTALL	SURFACE MOUNTED UNIT; MODEL B-2740	G.C. SHALL PROVIDE SOLID IN-WALL WOOD BLOCKING FOR DISPENSER UNIT.	G.C.
4	2	WATER CLOSETS	AMERICAN STANDARD OR KOHLER	MADERA 17"H #3043-102 KOHLER #K-4368 "HIGHCLIFF"	(1) 2X8 WALL TO WALL 3'-7" MOUNTED @ 30" A.F.F. TO CENTER OF SUPPORT (LAVATORIES) - IF REQUIRED	G.C.
4A	1	WATER CLOSET	AMERICAN STANDARD OR KOHLER	MADERA ELONGATED MODEL 2234 015 OR #K-4350 "WELLCOMME" - WHITE VITREOUS CHINA	(1) 2X8 WALL TO WALL 3'-7" MOUNTED @ 30" A.F.F. TO CENTER OF SUPPORT (LAVATORIES) - IF REQUIRED	G.C.
	3	WATER CLOSET SEATS	OLSONITE	#95 ELONGATED, WHITE, OPEN FRONT NO COVER SEAT, WITH SELF SUSTAINING HINGE, 481310-100 BOLT CAPS		G.C.
5	2	LAVATORIES	CUSTOM	1 PIECE - COUNTERTOP w/BASIN, MANUFACTURED BY CPI - INSTALLED BY G.C.		BNE
6	2	FRAME MIRROR	BOBRICK	24"X 36" CHANNEL FRAME MIRROR - #B-155-2436		G.C.
7	2	SOAP DISPENSER	BY OWNER, G.C. TO INSTALL	SURFACE MOUNTED UNIT; MODEL B-42; BLACK	G.C. SHALL PROVIDE SOLID IN-WALL WOOD BLOCKING FOR DISPENSER UNIT.	G.C.
8	2	HAND DRYER	SUPPLIED BY OWNER, INSTALLED BY G.C.	ELECTRIC HAND DRYER - XLERATOR # XL-GR-GRAHITE; MANUFACTURED BY EXCEL DRYER, INC.	SURFACE MOUNTED	BNE
9	2	URINAL	AMERICAN STANDARD	WASH-BROOK URINAL AND FLO-WISE PINT URINAL SYSTEM	(1) 2X6 2'-6" LONG (1) MOUNTED @ 10" A.F.F. AND (1) MOUNTED @ 30" A.F.F. TO CENTER OF SUPPORT (URINAL)	G.C.
10	2	BABY CHANGING STATION	SUPPLIED BY OWNER, INSTALLED BY G.C.			BNE
11	2	SANITARY NAPKIN DISPENSER	SUPPLIED BY OWNER, INSTALLED BY G.C.	SURFACE MOUNTED UNIT; BOBRICK MODEL B-270	WOMEN'S RESTROOM ONLY. G.C. SHALL PROVIDE SOLID IN-WALL WD. BLK. FOR DISPOSAL UNIT.	G.C.
12	2	PROTECTIVE PLUMBING COVERS	TRUBRO LAV-GUARD	103 WHITE		G.C.
13	1	URINAL SCREEN	SUPPLIED BY OWNER, INSTALLED BY OWNER	STAINLESS STEEL 18"X48"	G.C. SHALL PROVIDE SOLID IN-WALL WOOD BLOCKING FOR FULL HEIGHT OF SCREEN.	G.C.

RESTROOM SCHEDULE

NOTE: ALL BACK-UP SUPPORTS SHALL BE CUT BETWEEN STUDS SO THAT FACE OF SUPPORT IS FLUSH WITH WALL STUD ALL WOOD BLOCKING INSIDE WALLS TO BE FIRE-TREATED.

N.T.S. 11