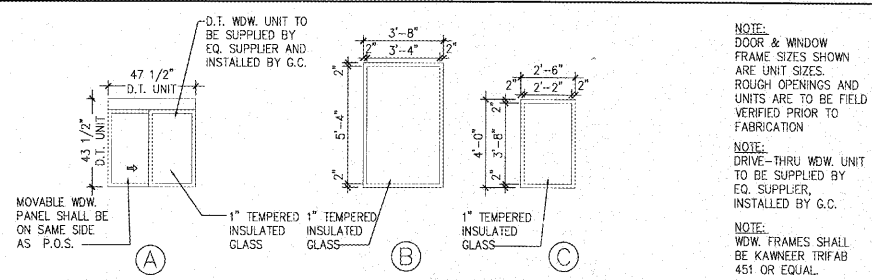


FINISHES PLAN



MARK	FINISHED W.O.W. SIZE	MATERIAL	HEAD	JAMB	SILL	REMARKS
A	47 1/2" x 43 1/2"	BLACK ANOD. ALUM.	2/A6	14/A8	13/A8	
B	3'-0" x 5'-8"	BLACK ANOD. ALUM.	3/A6	3/A6	3/A6	
C	2'-6" x 4'-0"	BLACK ANOD. ALUM.	15/AB SIM.	15/AB SIM.	15/AB	
D	NOT USED					

WINDOW SCHEDULE

ROOM TAG	ROOM/AREA DESCRIPTION	FLOOR	BASE	WALL	CEILING	CLIGHT	REMARKS
100	DINING AREA	FT-1	B-1	L-2, P1	ACT-2	10'-0"	SEE DECOR DRAWINGS FOR ADDITIONAL FINISH SPECIFICATIONS
101	CONDIMENT AREA	FT-1	-	QU-1, P1	GYP. BD. / P-2	8'-0"	
102	ORDER AREA	FT-2	B-2	CT-1, CT-2	CT-1	10'-0"	
103	NOT USED						
104	DRY STORAGE/UTILITY AREA	FT-2	B-2	FRP-1	GYP-2 / P-5	VARIABLE W/ SLOPE	REFER TO INTERIOR ELEVATIONS FOR VARIOUS FINISH LOCATIONS.
105	WOMEN'S TOILET AREA	FT-2	B-1	CT-1, CT-2	GYP-1 / P-5	8'-0"	
106	MEN'S TOILET AREA	FT-3	B-1	CT-1, CT-2	GYP-1 / P-5	8'-0"	
107	MANAGERS OFFICE	FT-2	B-2	FRP-1 SEE MARKS	ACT-3	9'-0"	REF. MATERIALS SCHEDULE, SHT. A-2 FOR ADDITIONAL CEILING SPECIFICATIONS
108	ICE CREAM/BEVERAGE AREA	FT-2	B-2	FRP-1	ACT-3	8'-0"	
109	DRIVE-THRU AREA	FT-2	B-2	FRP-1	ACT-3	8'-0"	
110	KITCHEN AREA	FT-2	B-2	FRP-1, SS-1	ACT-3	8'-0"	
111	BISCUIT PREP AREA	FT-2	B-2	FRP-1, SS-1	ACT-3	8'-0"	MANAGERS OFFICE TO HAVE FRP OVER 1/2" GYP.
112	CLEAN-UP AREA	FT-2	B-2	FRP-1	ACT-3	8'-0"	
113	NOT USED						
114	COOLER	FT-2	-	FACTORY FINISH	FACTORY FINISH	8'-0"	
115	FREEZER	F-1	-	FACTORY FINISH	FACTORY FINISH	8'-0"	

ROOM FINISH SCHEDULE

SYMBOL	MATERIAL	DESCRIPTION	REMARKS
ACT-1	2'x 2' CEILING TILE	ARMSTRONG - FINE FISURE #928 WHITE COLORED SQUARE EDGE - ARMSTRONG 15/16" TEP DRY SYSTEM WITH MATCHING WHITE COLOR.	
ACT-2	2'x 2' CEILING TILE	ARMSTRONG - FINE FISURE #1728 BL - EACH BLACK COLORED TILE WITH SOLID BLACK ARMSTRONG 15/16" EXPOSED TEE GRID SYSTEM WITH MATCHING BLACK COLOR.	
ACT-3	2'x 2' WASHABLE CEILING TILE	USG (800) 888-3333 SHEETROCK 3/2" 3270 VINYL FACED GYPSUM LAMINATE PANELS, 1/2" SQUARE EDGE, WHITE STIPPLE, W/DORNS OR CLASSIC 1/16" STANDARD EXPOSED GRID SYSTEM COLOR: FINE LATEX	
GYP-1	GYP. BOARD, CEILING	GYP. BOARD CEILING (RESTROOM) PAINTED SHERWIN WILLIAMS SW709 COLOR: - PEARLY WHITE	
GYP-2	GYP. BOARD CEILING	GYP. BOARD CEILING (DRY STORAGE AREA) PAINTED SHERWIN WILLIAMS SW709 COLOR: PEARLY WHITE - SATIN LATEX	
FRP-1	FIBERGLASS REINFORCED PANEL FRP	MARULITE (OR EQUAL) - "WHITE" PROVIDE MATCHING MOULDING	
B-1	TILE BASE	ROSSVILLE - AV213 6"x12" COLOR: BISTRO BROWN	
B-2	TILE BASE	ROSSVILLE - 4880 ONYX COVE BASE 6"x8"	
FT-1	FLOOR TILE	CROSSVILLE - AV213 18"x18" COLOR: BISTRO BROWN WITH CROSSVILLE - AV213 6"x6" COLOR: BISTRO BROWN GROUT: LATICRETE #35 MOCHA, JOINTS: 1/16"	
FT-2	FLOOR TILE	CROSSVILLE - AV213 18"x18" COLOR: BISTRO BROWN WITH CROSSVILLE - AV213 6"x6" COLOR: BISTRO BROWN GROUT: LATICRETE #35 MOCHA, JOINTS: 1/16"	
FT-3	FLOOR TILE	CROSSVILLE - AV213 18"x18" COLOR: BISTRO BROWN WITH CROSSVILLE - AV213 6"x6" COLOR: BISTRO BROWN GROUT: LATICRETE #35 MOCHA, JOINTS: 1/16"	
F-1	FACTORY FLOOR	FLOOR PROVIDED BY FREEZER/COOLER MANUFACTURER	
CT-1	WALL TILE - FIELD	CROSSVILLE - AV291 12"x24" - COLOR: SILICA GROUT: LATICRETE #24 GRAY JOINTS: 1/16"	
CT-2	WALL TILE - ACCENT (w/CT-1 WALL TILE - FIELD)	CROSSVILLE - AV285 12"x36" - COLOR: BANK ROLL. INSTALL A SINGLE ROW OF THIS ACCENT TILE AT 5'-0" A.F.F. TO THE BOTTOM EDGE OF THE ACCENT TILE. SEE INTERIOR ELEVATIONS, SHTS. AS, AS.1, AND AS.2.	
SS-1	STAINLESS STEEL PANELS	18ga. - #4 BRUSHED FINISH - WITH TRIM STRIPS	FURN. & INSTALLED BY G.C. \ M.C.
SS-2	STAINLESS STEEL CORNER GUARDS	PROVIDED / INSTALLED BY G.C. SEE SHEETS A1.1 AND SHEETS AS, AS.1, AND AS.2 FOR ADDITIONAL INFORMATION	
L-1	PLASTIC LAMINATE	SELECTED DOORS - WILSONART: 4832 SATIN OXIDE (TEXTURED)	SEE SHEET A1.1 "DOOR TYPES"
L-2	WALL COVERING LAMINATE / WAINSCOT	PROVIDED / INSTALLED BY DECOR NATIONAL ACCOUNT. PROVIDED / INSTALLED ARE 1/8" NUDO PANELS W/ WILSONART 4832 SATIN OXIDE TEXTURED LAMINATE WITH ALL METAL TRIM PIECES. ALSO PROVIDED / INSTALLED IS CHAIR RAIL SCHLUTER MTL TRIM PRODUCT(S).	
L-3	FEATURE WALL LAMINATE w/ FEATURE MTL STAR	PROVIDED / INSTALLED BY DECOR NATIONAL ACCOUNT. PROVIDED / INSTALLED ARE 1/2" LAMIN. PANELS w/ NEVAMAR: W00037 VALENCIA TEAK TEXTURED (HORIZ. GRAIN) ALONG WITH ALL MTL TRIM PIECES & STAINLESS STL. STAR.	
P-1	PAINT	SHERWIN WILLIAMS - SW7039 COLOR: VIRTUAL TAUPE	SATIN LATEX
P-2	PAINT	SHERWIN WILLIAMS - SW6801 COLOR: TANGER	SATIN LATEX
P-3	PAINT	SHERWIN WILLIAMS - SW258 COLOR: TRICORN BLACK	SATIN ENAMEL
P-4	PAINT	SHERWIN WILLIAMS - SW6107 COLOR: NOMADIC DESERT	FLAT LATEX
P-5	PAINT	SHERWIN WILLIAMS - SW7009 COLOR: PEARLY WHITE	SATIN LATEX

MATERIAL SCHEDULE

**WALL SUBSTRATE LEGEND**

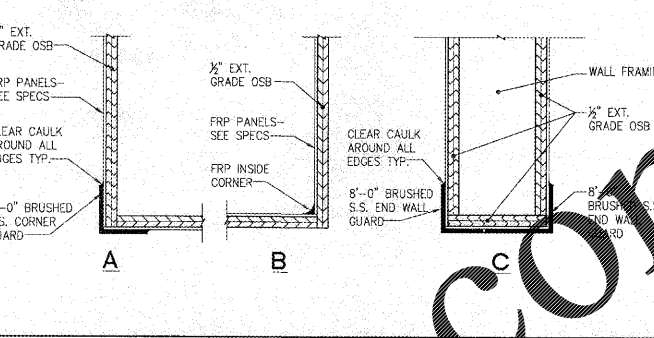
- 1/2" CEMENT BOARD TO 1/2" AFF. W/ 1/2" GYP. BD. TO 1/2" GYP. BD. ALSO SEE NOTE #4.
- 1/2" CEMENT BOARD TO STRUCTURE ABOVE.
- 1/2" CEMENT BD. TO 1/2" AFF. W/ 1/2" EXT. GRADE OSB FROM 12" TO 6" AB. CLG.
- SOUND ATTENUATION INSULATION
- 1/2" CEMENT BD. TO 1/2" AFF. W/ 1/2" EXT. OSB TO STRUCTURE.

**SUBSTRATE KEYNOTES (X)**

- GYP. BD. SHALL BE 1/2" TYPE "X" GYP. BD. AND EXTEND TO STRUCTURE ABOVE.
- MGR. OFT. TO HAVE 1/2" EXT. OSB BEHIND 1/2" GYP. BD.

**GENERAL NOTES:**

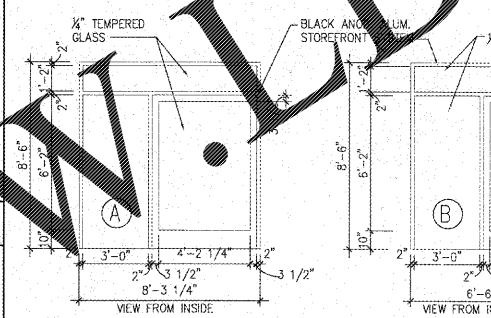
- ALL SUBSTRATE @ HOOD LOCATIONS SHALL EXTEND TO STRUCTURE ABOVE. REFER TO SHEETS A7 AND A7.1 FOR ADDITIONAL INFORMATION.
- ALL EXTERIOR WALLS SHALL HAVE 1/2" KRAFT FACED INSULATION.
- DIMENSIONS SHOWN ARE FINISH DIMENSIONS, U.O.N.



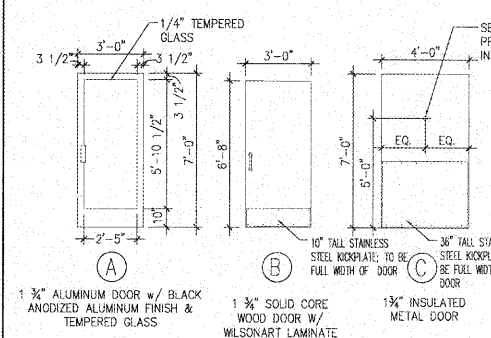
CORNER GUARD DETAIL (TYPE HOOD PREP) N.T.S.

PLAN LEGEND & KEY NOTES

ROOM	MARK	DOOR FINISHED OPENING SIZE	MATERIAL	DOOR TYPE	GLASS	NOTES
100	100A	3'-0" x 7'-0"	BLACK ANOD. ALUM. DOOR w/ TEMP. GLASS AND BLACK ANOD. ALUM. FRAME	A	A	NOTES: DOOR FRAME SIZES ARE TO BE FIELD VERIFIED PRIOR TO FABRICATION.
100	100B	3'-0" x 7'-0"	BLACK ANOD. ALUM. DOOR w/ TEMP. GLASS AND BLACK ANOD. ALUM. FRAME	A	A	180 SERIES TRIFAB 451 SERIES FRAME BY KAWNEER OR EQ.
105	105A	3'-0" x 6'-8"	HOLLOW METAL FRAME	B	L-1	120 SERIES TRIFAB 451 SERIES FRAME BY KAWNEER OR EQ.
105	105B	3'-0" x 5'-0"	HOLLOW METAL FRAME	F	L-1	TOILET STALL (HANG DOOR CENTERED IN FRAME)
105	105C	2'-0" x 5'-0"	HOLLOW METAL FRAME	G	E	TOILET STALL (HANG DOOR CENTERED IN FRAME)
106	106A	3'-0" x 6'-8"	HOLLOW METAL FRAME	B	L-1	120 SERIES TRIFAB 451 SERIES FRAME BY KAWNEER OR EQ.
106	106B	3'-0" x 5'-0"	HOLLOW METAL FRAME	F	L-1	TOILET STALL (HANG DOOR CENTERED IN FRAME)
107	107A	3'-0" x 6'-8"	HOLLOW METAL FRAME	E	L-1	120 SERIES TRIFAB 451 SERIES FRAME BY KAWNEER OR EQ.
108	108A	2'-6" x 7'-0"	BLACK ANOD. ALUM. DOOR w/ TEMP. GLASS AND BLACK ANOD. ALUM. FRAME	H	F	1 DOOR/FRAME BY KAWNEER OR EQ., TRIFAB 450 SERIES
111	111A	4'-0" x 7'-0"	HOLLOW METAL FRAME	C	P-3	5



FRAME TYPES



DOOR TYPES

HARDWARE SET NO.	DESCRIPTION	MANUFACTURER	FINISH
HARDWARE SET NO. 1	ALL DOOR HARDWARE FURNISHED IN STANDARD DOOR PACKAGE INCLUDING PANIC HARDWARE: EXTERIOR CYLINDER DEADBOLT LOCK WITH INTERIOR THUMBTURN TO MEET ADA, OFFSET PIVOT HINGES, THRESHOLD, WEATHER STRIPPING. 1 4040 REGULAR CLOSER WITH 181J.		
HARDWARE SET NO. 2	1 1/2 PR. HINGES FBB-179 4 1/2 x 4 1/2	STANLEY	US 260
	1 CLOSER 14611 SERIES	LCN	ALUMINUM BALDWIN
	1 KICKPLATE 20 GAUGE STAINLESS STEEL 10x36" US 320	LOW	ALUMINUM BALDWIN
	1 CAST PULL #6N	HAGER	US 260
	1 PUSH PLATES #40R 3"x 12"	HAGER	US 260
	1 WALL MOUNTED DOOR STOP #W5406	IVES	ALUMINUM
	1 WALL-MOUNTED HANDICAP/BRAIL SIGN @ 60" BLACK/WHITE-PLASTIC	AFB	HED
HARDWARE SET NO. 3	1 1/2 PR. HINGES FBB-179 4 1/2 x 4 1/2	STANLEY	US 260
	1 CLOSER 1460 SERIES	LCN	ALUMINUM BALDWIN
	1 WALL MOUNTED DOOR STOP #W5406	IVES	ALUMINUM
	1 #CL361 LEVER LOCKSET W/STRIKE	CORBIN/RUSSWIN	US 260
HARDWARE SET NO. 4	1 1/2 PR. HINGES FBB-179 4 1/2 x 4 1/2	STANLEY	US 260
	1 CLOTHES HOOK & DOOR BUMPER B-212	BOBRICK	US 260
	1 #CL362 LEVER LOCKSET W/STRIKE	CORBIN-RUSSWIN	US 260
HARDWARE SET NO. 5	1 CONTINUOUS HALF-SURFACE HINGE: HANGER/ROTOR #780-05390 OR PEMKO #HS80	MARKAR #HS-203 OR PEMKO #HS80	US 260
	1 CLOSER: 4040 H-CUSH	LCN	ALUMINUM/BLACK ALUMINUM/BLACK
	1 ARMOR PLATE 36" X 46" WITH S.S. SCREWS	BALDWIN OR BURNS	ALUMINUM/BLACK
	1 THRESHOLD w/ VINYL WEATHERSTRIP	PEMCO 179AVx48	US 28
	1 RAINDRIP 346 C 48"	PEMCO	ALUMINUM - PAINT BL
	1 PANIC EXIT DEVICE w/ ALARMED EXIT DEVICE. EXIT ONLY - NO EXTERIOR TRIM. STANDARD STRIKE	ADAMS-RITE #8300-01	628 FINISH CLEAR ANODIZED
HARDWARE NOTES:	1. PRODUCTS DESIGNATED BY RUSSWIN, BALDWIN, LCN, EXIT SECURITY, AND STANLEY MAY BE SUBSTITUTED WITH APPROVED EQUALS BY YALE, SOHLAGE, AND PHOENIX.		
	2. FINISHES MAY BE SUBSTITUTED WITH US 320 SATIN STAINLESS STEEL IN LIEU OF US 28 SATIN ALUMINUM FINISH SCHEDULED.		
	3. WEATHERSTRIPPING AROUND EXTERIOR DOOR OPENINGS SHALL PROVIDE A MAXIMUM INFILTRATION RATE OF 11 CFM PER LINEAR FOOT IN A 25 MPH WIND MEASURED IN ACCORDANCE WITH APPLICABLE ANSI STANDARDS.		
	4. ALL DOOR HARDWARE TO BE PAINTED BLACK TO MATCH DOOR.		

DOOR SCHEDULE

NO.	DESCRIPTION	DATE

FINISH PLAN AND SCHEDULES

NRD Project # 17113

**national restaurant designers**

ARCHITECTS & INTERIORS

3005 CARRINGTON HILL BLVD. SUITE 105  
MURRISVILLE, NORTH CAROLINA, 27560  
PH: 919.544.7251 FAX: 919.544.9399

A DIVISION OF LEAFY ASSOCIATES

**ASSOCIATES, P.A.**

1718

3177

REGISTERED PROFESSIONAL ARCHITECT

REGISTERED PROFESSIONAL INTERIOR DESIGNER

REGISTERED PROFESSIONAL CONTRACTOR

**Hardeen**

CHASSIS/ROOFING

HARDEE'S REVERSE PROTOTYPE

500 US-17  
BIRMGHAM, NC 28603

**BODDIE-NOELL ENTERPRISES, INC.**

P.O. BOX 1908  
ROCKY MOUNT, N.C. 27802-1908  
(252) 937-2800

**OWNER:**

**B**

**FINISH PLAN AND SCHEDULES**

DATE: 6-23-17

SHEET NUMBER: A-1.1

**A-1.1**