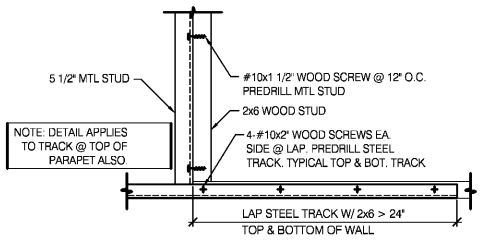
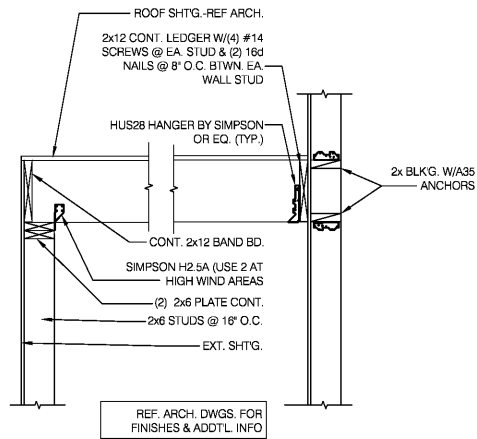


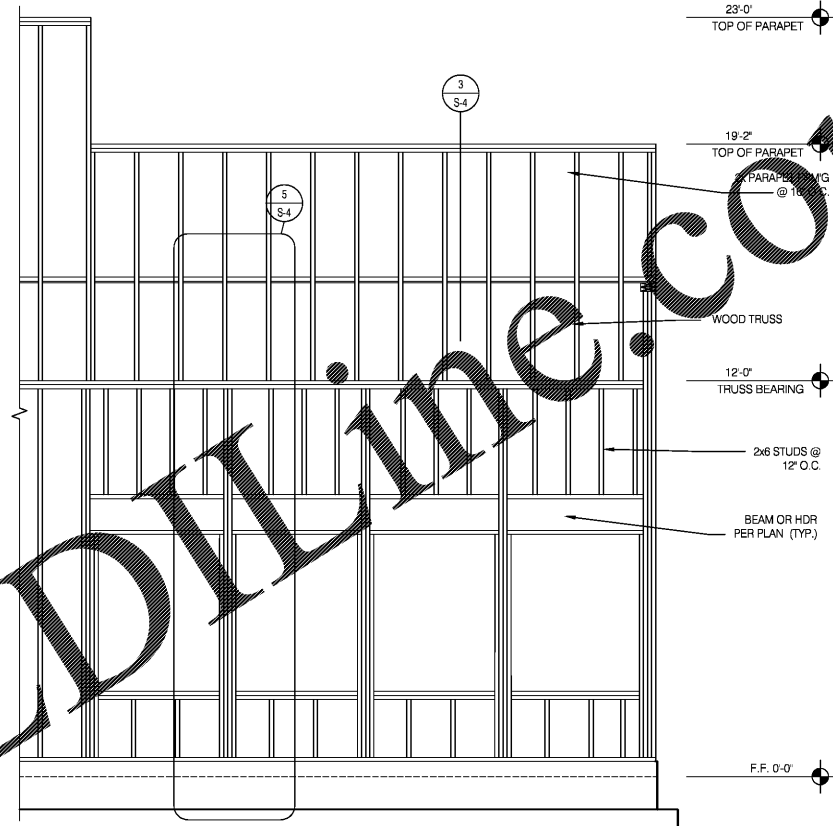
METAL WALL STUD DETAIL SCALE: 1/2" = 1'-0" (1)



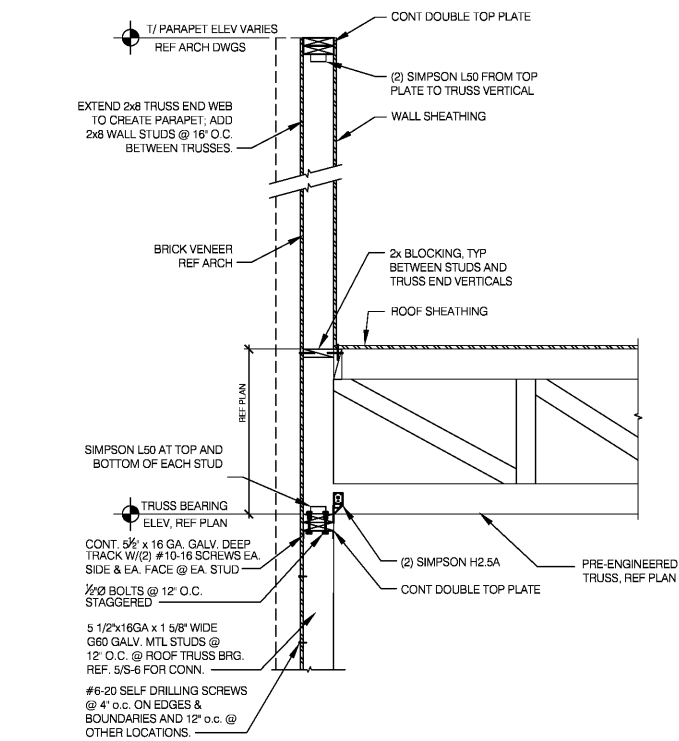
METAL WALL STUD DETAIL SCALE: 1/2" = 1'-0" (3)



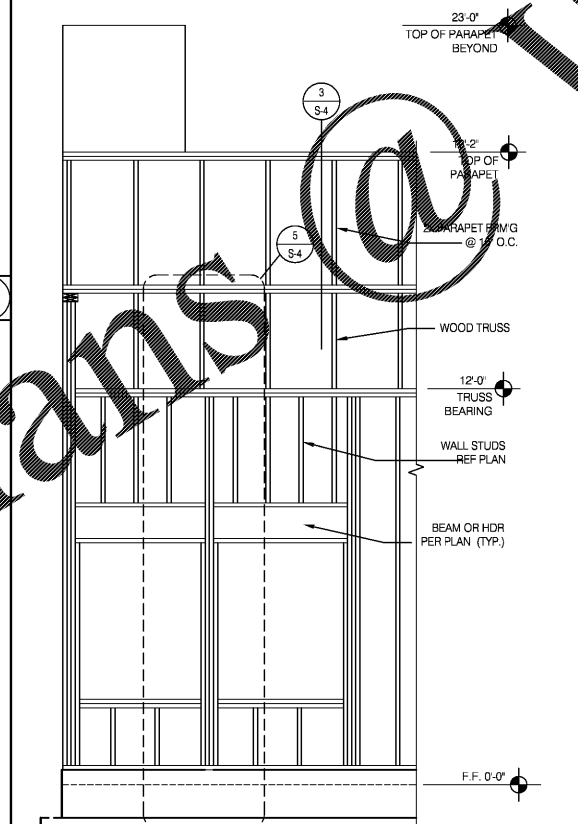
STORAGE RM. SECTION SCALE: 3/4" = 1'-0" (4)



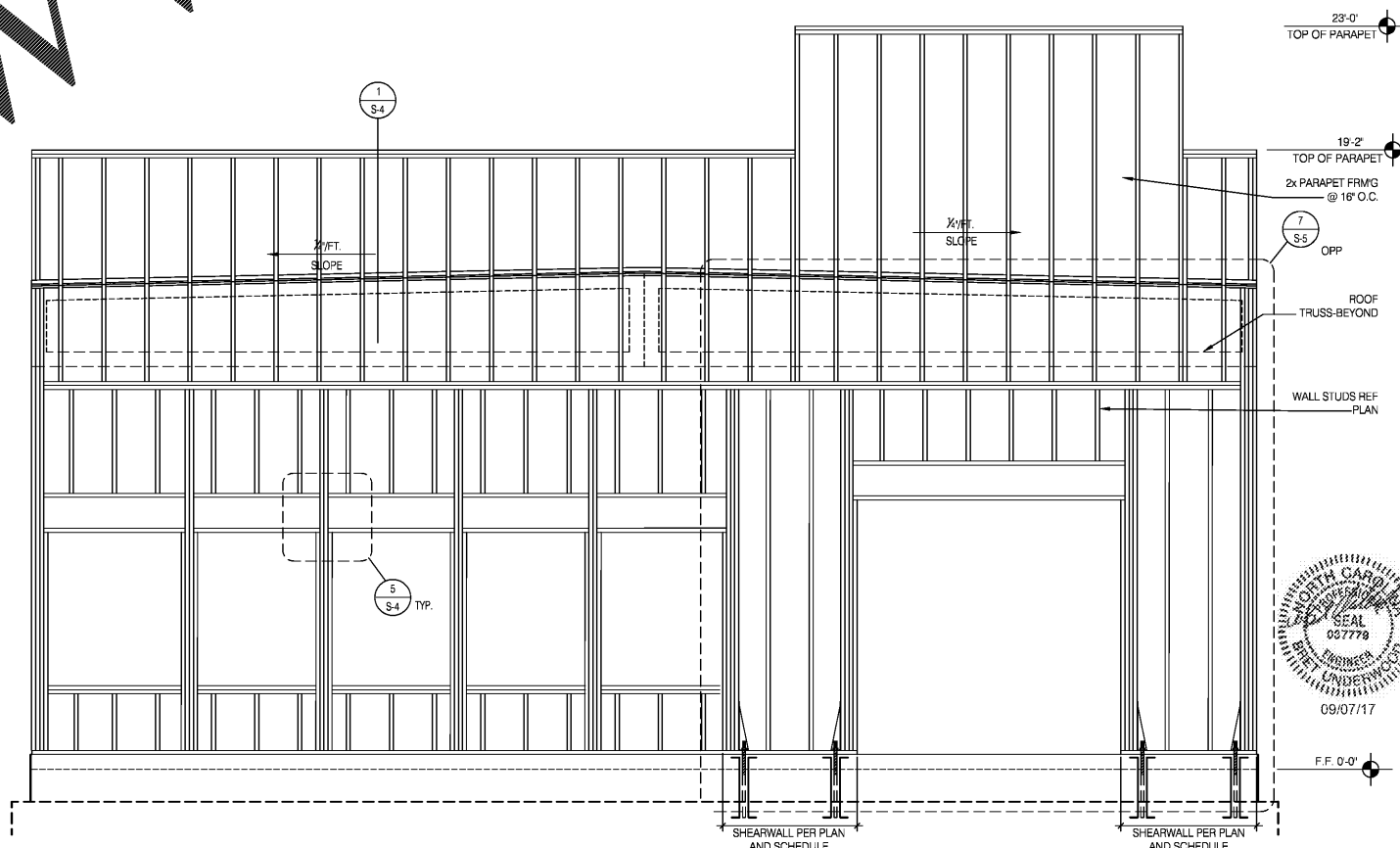
SIDE FRAMING ELEVATION SCALE: 3/8" = 1'-0" (5)



METAL WALL STUD DETAIL SCALE: 3/4" = 1'-0" (2)



SIDE FRAMING ELEVATION SCALE: 3/8" = 1'-0" (6)



FRONT FRAMING ELEVATION SCALE: 3/8" = 1'-0" (7)

Order Plans

NRD Project # 17113

INRIP
ARCHITECTS & ENGINEERS
3005 CARRINGTON MILL BLVD. SUITE 105
MORRISVILLE, NORTH CAROLINA 27560
ph: 919 544 7251 fax: 919 544 9389
A Division of LMHT Associates

BRITT PETERS
AND
ASSOCIATES
INC.
consulting engineers
999 Waterside Drive
Suite 2202
Norfolk, VA 23510
(757) 965-5710
www.brittpeters.com
BPA Job No. 170721
NC COA: C1088

Hardee's
CHARACTERISTICS
HARDEE'S REVERSE PROTOTYPE
500 US-17
BURGAN, NC 28625

BODDIE-NOELL
ENTERPRISES, INC.
P.O. BOX 1908
ROCKY MOUNT, N.C.
27802-1908
(252) 967-2800

BN

| NO. | DATE | DESCRIPTION |
|-----|------|-------------|
| | | |
| | | |
| | | |

DRAWN BY: MN
CHECKED BY: SDH

STRUCTURAL
DETAILS &
FRM'G. ELEV.

DATE: 6-23-17

SHEET NUMBER:

S6

