

REVISIONS

NO.	DATE	DESCRIPTION

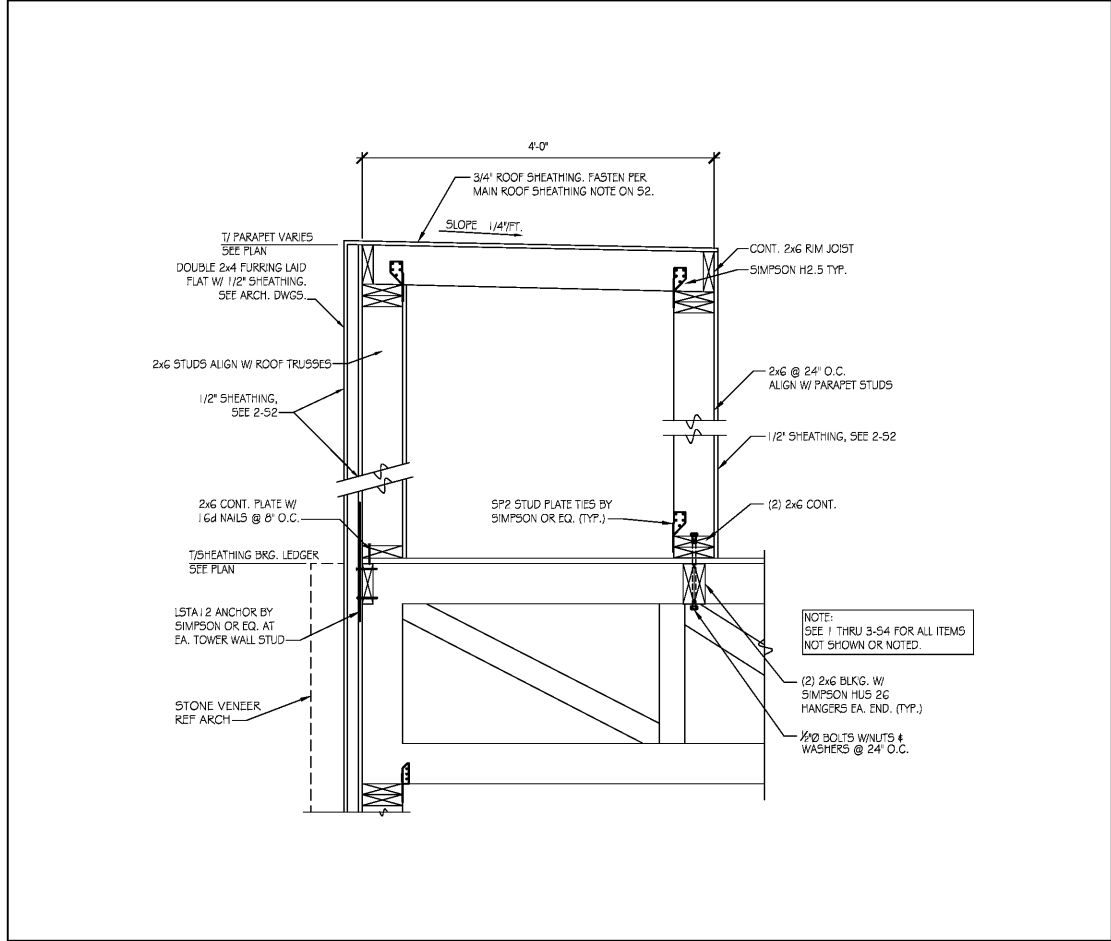
DRAWN BY: MN CHECKED BY: SDH

FRAMING DETAILS

DATE: 6-23-17

SHEET NUMBER:

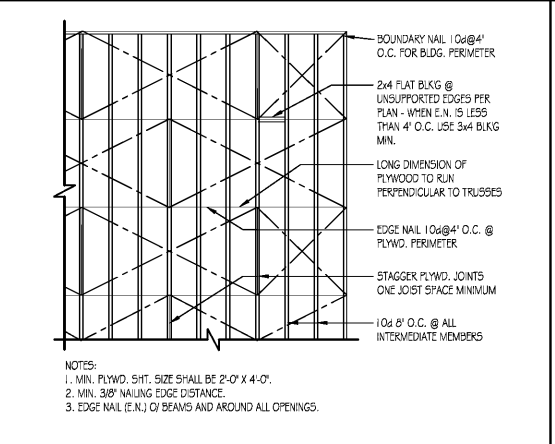
S5



SIDEWALL SECTION SCALE: 1/4" = 1'-0" 1



ROOF NAILING PLAN SCALE: N.T.S. 2



PLYWOOD EDGE BLOCKING SCALE: N.T.S. 5

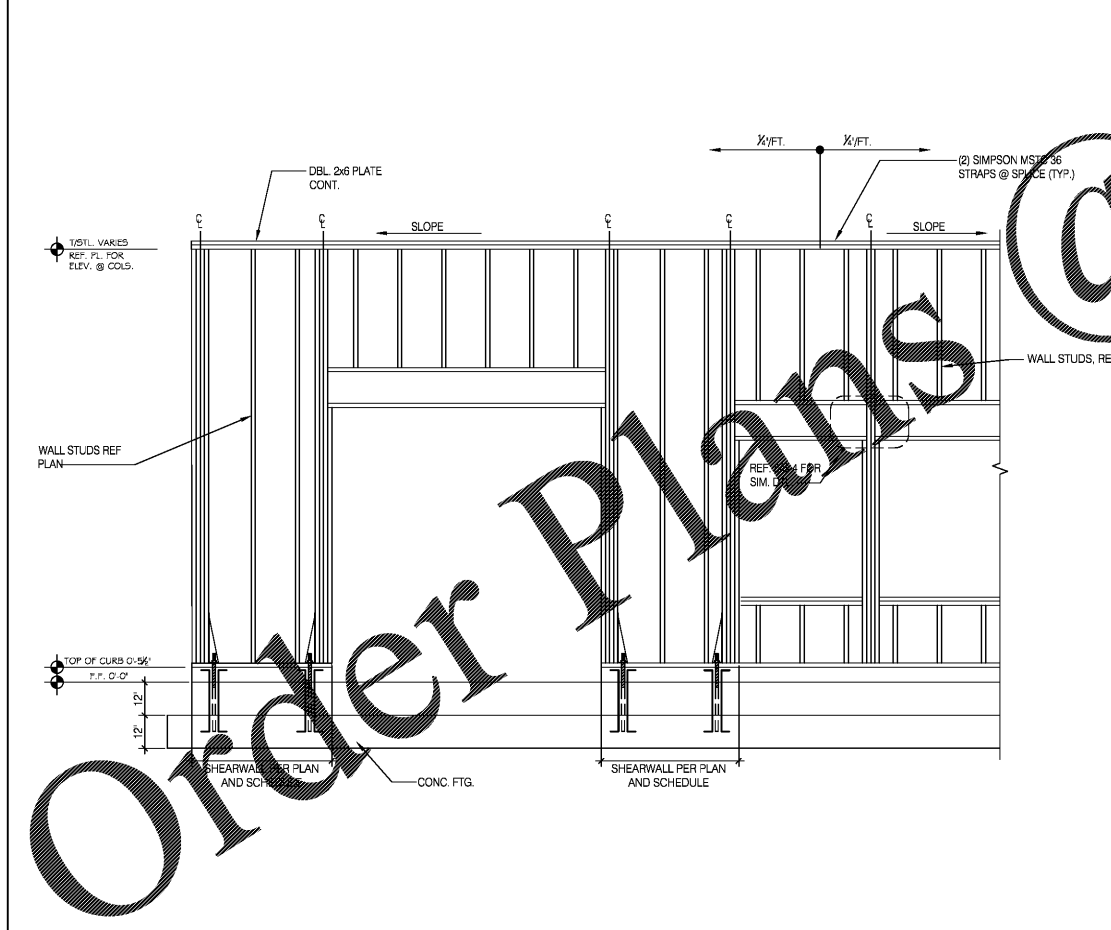
CONNECTION TYPE:

- JOIST TO SILL OR GIRDER, TOENAIL
- BRIDGING TO JOIST, TOENAIL EACH END
- 1 1/2" (25MM) SUBFLOOR OR LESS TO JOIST, FACE NAIL
- WIDER THAN 1 1/2" (25MM) SUBFLOOR TO JOIST, FACE NAIL
- 2" (52MM) SUBFLOOR TO GIRDER, BLIND AND FACE NAIL
- SOLE PLATE TO JOIST OR BLOCKING, TYPICAL FACE NAIL
- SOLE PLATE TO JOIST OR BLOCKING, AT BRACED W. PANELS
- TOP PLATE TO STUD, END NAIL
- STUD TO SOLE PLATE
- DOUBLE STUDS, FACE NAIL
- DOUBLE TOP PLATE, TYPICAL FACE NAIL
- DOUBLE STUDS, LAP JOISTS TO TOP PLATE, TOENAIL
- JOIST TO TOENAIL, TOENAIL
- TOP PLATE, LAP JOIST INTERSECTIONS, FACE NAIL
- CONTINUOUS HEADER, TWO PIECES
- CEILING JOISTS TO PLATE, TOENAIL
- CONTINUOUS HEADER TO STUD, TOENAIL
- CEILING JOISTS, LAP OVER PARTITIONS, FACE NAIL
- CEILING JOISTS TO PARALLEL RAFTERS, FACE NAIL
- RAFTER TO PLATE, TOENAIL
- 1" (25MM) BRACE TO EACH STUD AND PLATE, FACE NAIL
- 1 1/2" SHEATHING OR LESS TO EACH BEARING, FACE NAIL
- WIDER THAN 1 1/2" SHEATHING TO EACH BEARING, FACE NAIL
- BUILT-UP CORNER STUDS
- 2" PLANKS
- 2x BOX BEAM / HEADER
- BUILT-UP GIRDER AND BEAMS

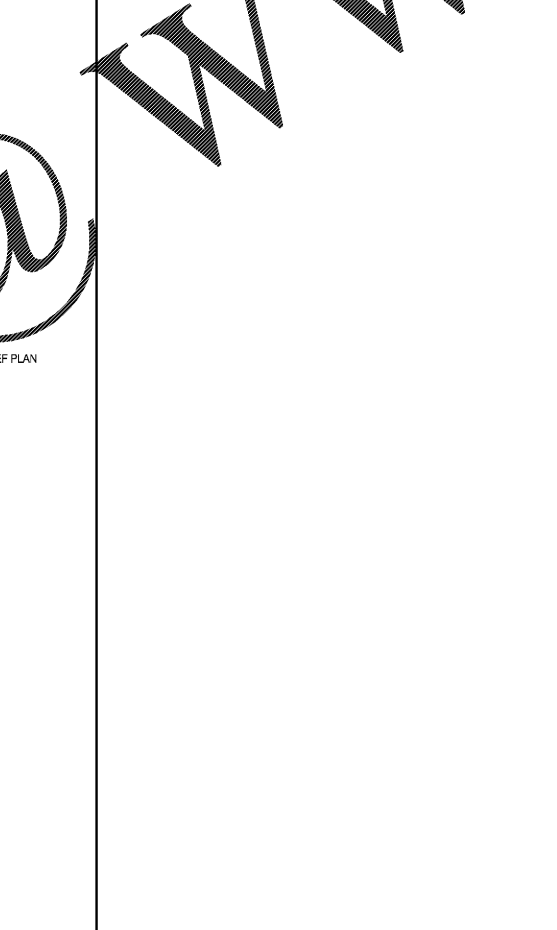
NAILING:

(3-8d)
(2-8d)
(2-8d)
(2-8d)
(2-16d @ 16" O.C.)
(2-16d)
(2-16d)
(2-16d END NAIL)
(16d @ 12", O.C.)
(16d @ 12" O.C.)
SEE 15-54.1
(3-8d)
(8d @ 8" O.C.)
(2-16d)
(16d @ 8" O.C. TOP & BOTTOM)
(3-8d)
(4-8d)
(3-16d)
(3-16d)
(3-8d)
(2-8d)
(3-8d)
(16d @ 12" O.C.)
(2-16d AT EACH SPLICE)
(12d @ 12" O.C.)
(20d @ 32" O.C. AT TOP & BOTTOM AND STAGGERED 2-20d AT ENDS AND AT EACH SPLICE)

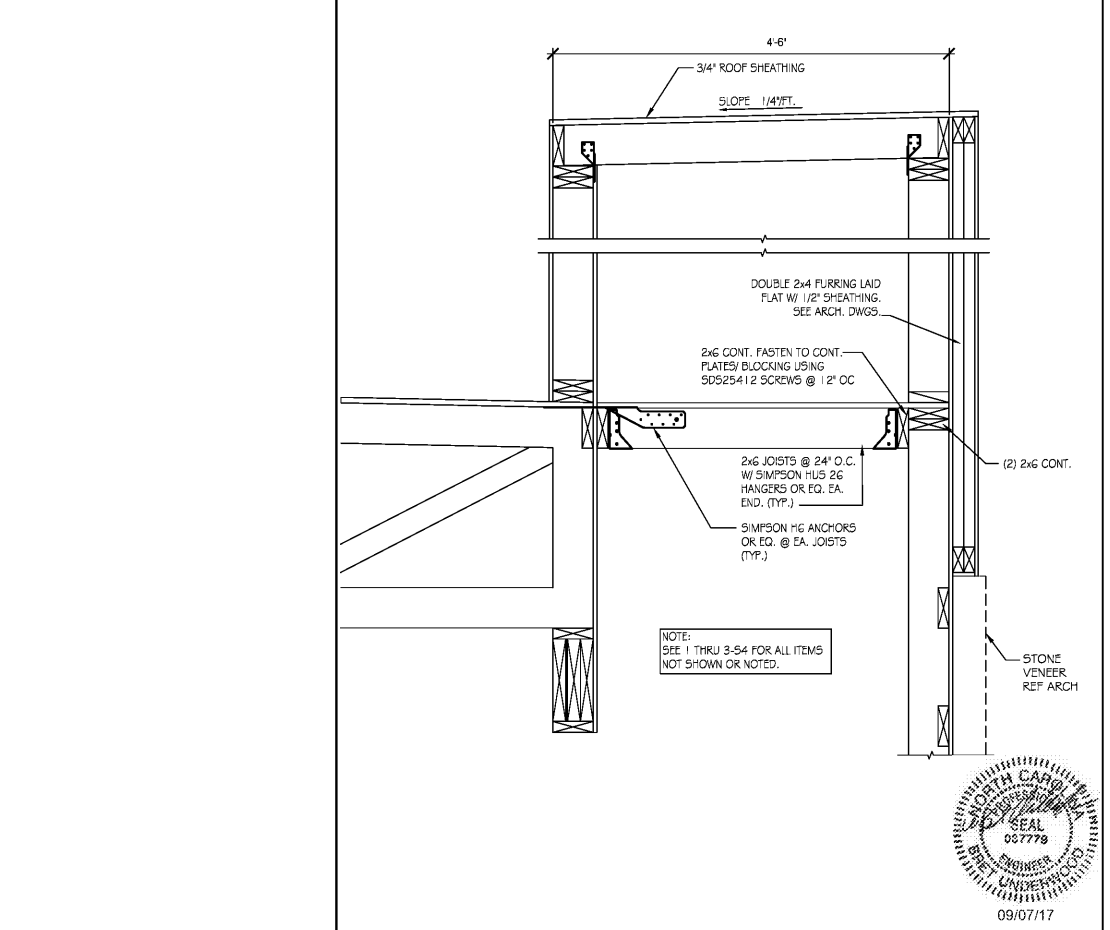
NAILING SCHEDULE SCALE: N.T.S. 3



FRONT FRAMING ELEVATION SCALE: 3/8" = 1'-0" 7



TYPICAL ROOF OPENING SCALE: 1/4" = 1'-0" 6



VESTIBULE SECTION SCALE: 1/4" = 1'-0" 9

Order Plans @