

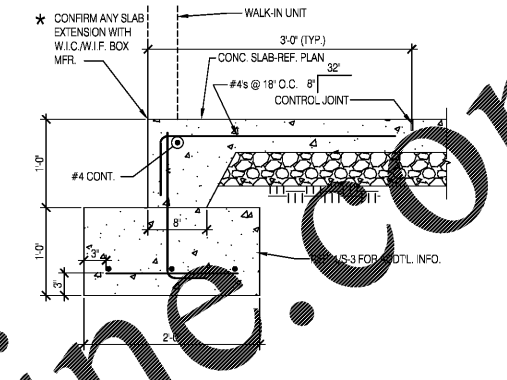
NO.	DATE	DESCRIPTION

DRAWN BY: MN CHECKED BY: SDH

**FOUNDATION DETAILS**

DATE: 6-23-17

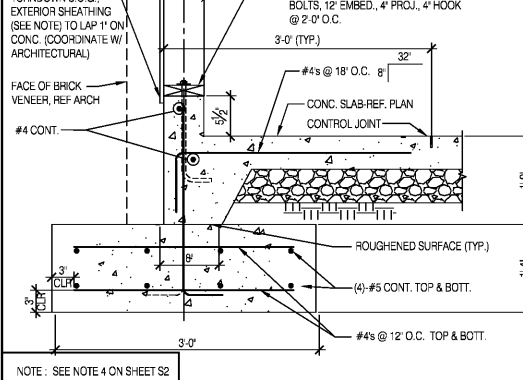
SHEET NUMBER:  
**S3**



FOOTING @ WALK-IN SCALE: 1/4\"/>



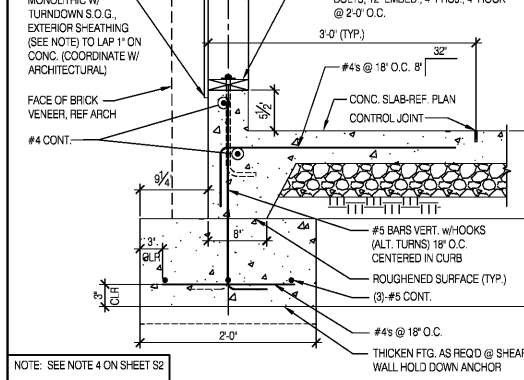
NOT USED SCALE: 1/4\"/>



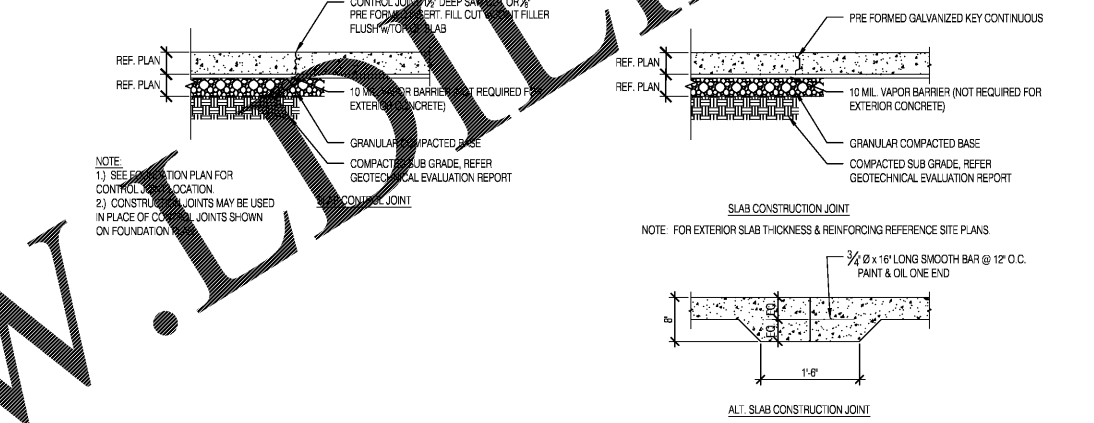
SECTION @ FRONT WALL SCALE: 1/4\"/>



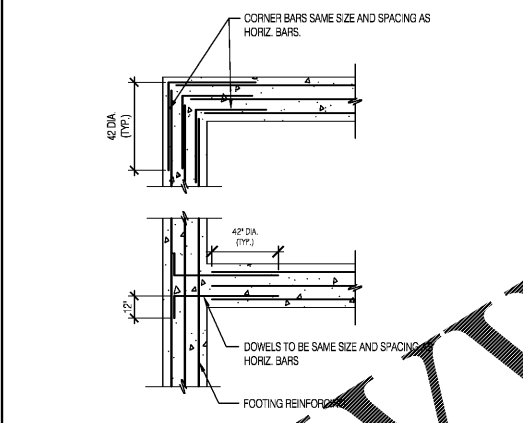
NOT USED SCALE: 1/4\"/>



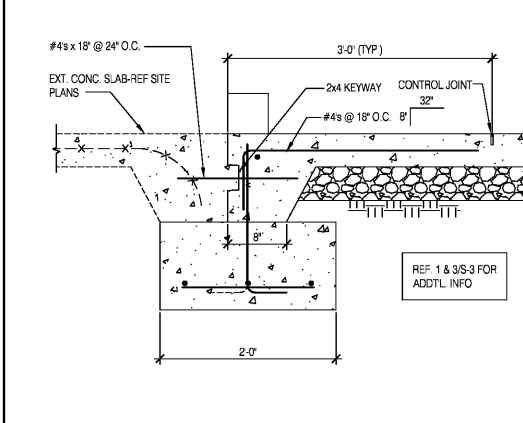
TYP. FOOTING. SCALE: 1/4\"/>



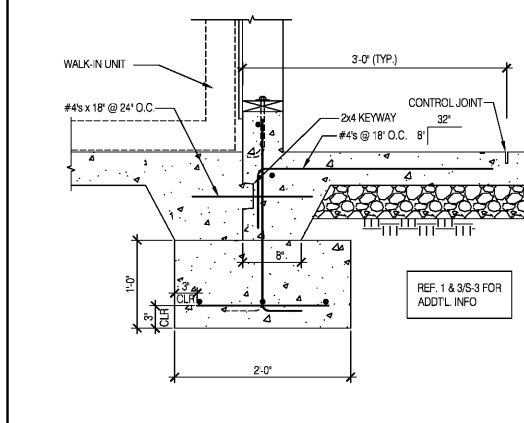
TYP. CONCRETE SLAB JOINTS SCALE: 3/4\"/>



TYP. DETAIL @ FTG. CORNER SCALE: 1/2\"/>



TYP. SECTION @ DOOR SCALE: 1/4\"/>



FOOTING @ REAR WALL @ WALK-IN SCALE: 1/4\"/>

SHEARWALL SCHEDULE						
MARK	SHEATHING (NOTES A AND B)		FASTENERS	CHORD STUD QTY.	HOLD-DOWNS (NOTE D)	
	PANEL	PANEL EDGES			TYPE	ANCHOR EMBED
SW-1	SS 1/2\"/>					
SW-2	SS 1/2\"/>					
SW-3	DS 1/2\"/>					

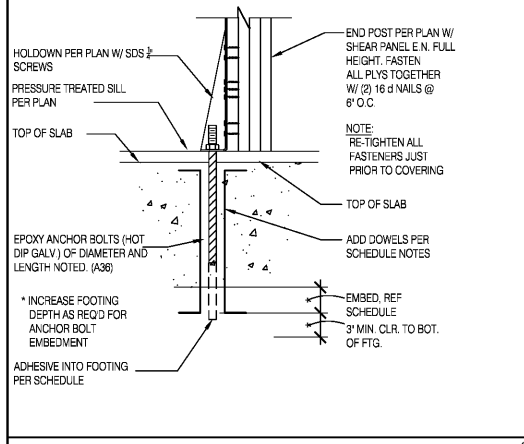
LOOSE ANGLE LINTEL SCHEDULE	
ANGLE SIZE	SPAN
L4x4x3/8	UP TO 6'-0\"/>

LOOSE LINTEL NOTES:  
 1. PROVIDE 8\"/>

SHEARWALL SCHEDULE						
MARK	SHEATHING (NOTES A AND B)		FASTENERS	CHORD STUD QTY.	HOLD-DOWNS (NOTE D)	
	PANEL	PANEL EDGES			TYPE	ANCHOR EMBED
SW-1	SS 1/2\"/>					
SW-2	SS 1/2\"/>					
SW-3	DS 1/2\"/>					

HOLD DOWN SCHEDULE	
MARK	TYPE
SW-1	SS 1/2\"/>
SW-2	SS 1/2\"/>
SW-3	DS 1/2\"/>

SHEARWALL SCHEDULE NOTES:  
 A. 'SS' = SW SHEATHING ON SINGLE SIDE OF WALL  
 'DS' = SW SHEATHING ON DOUBLE SIDE OF WALL (BOTH FACES)  
 'APA' = APA-RATED SHEATHING  
 B. TYPICAL SHEARWALL SHEATHING FIELD FASTENING SHALL BE 10d NAILS AT 12\"/>



HOLD DOWN SCHEDULE SCALE: N.T.S. (10)

**Order Plans @ WWW.LMHTLINE.COM**