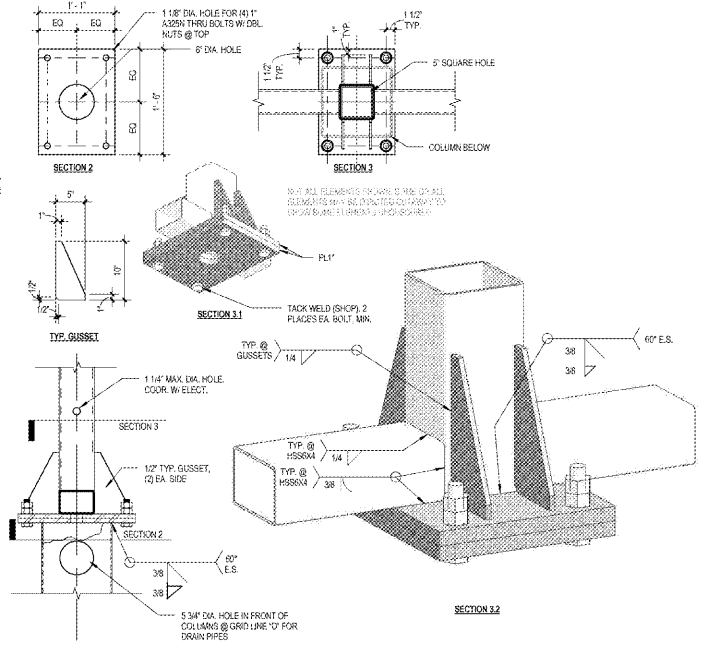
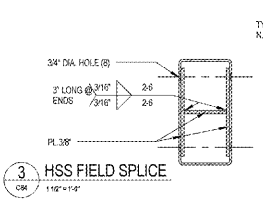


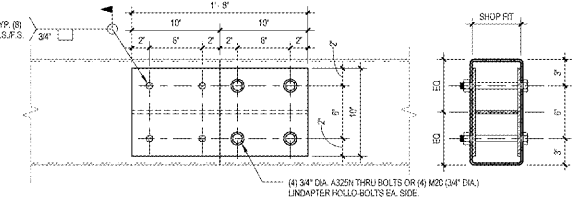
1 SIGNAGE SUPPORT  
CS4 1'-0" x 1'-0"



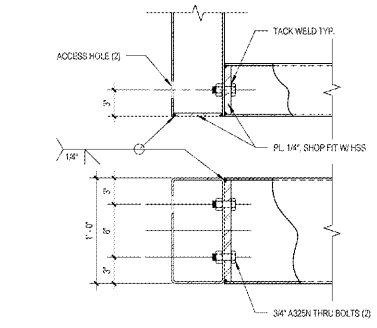
2 COLUMN TO TRUSS CONX.  
CS4 1'-0" x 1'-0"



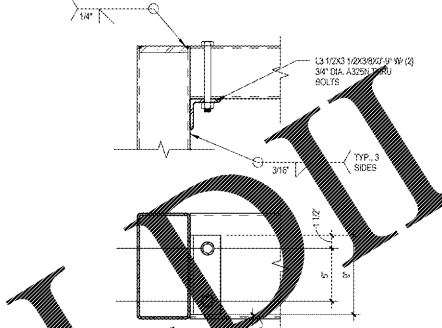
3 HSS FIELD SPLICE  
CS4 1'-0" x 1'-0"



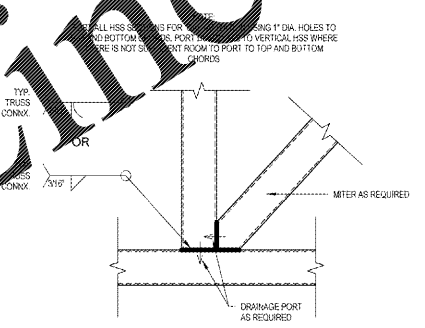
4 HSS TO HSS CONX.  
CS4 1'-0" x 1'-0"



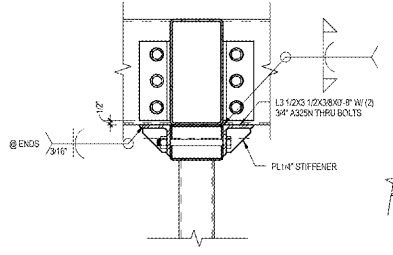
5 HIGH HSS TO HSS CORNER CONX.  
CS4 1'-0" x 1'-0"



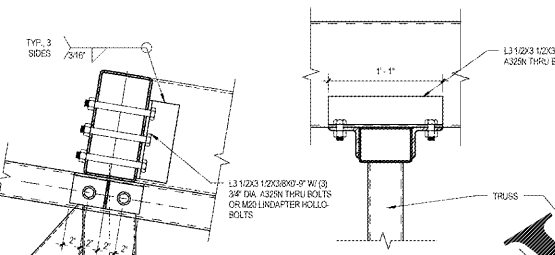
6 HIGH ALT. HSS TO HSS CORNER CONX.  
CS4 1'-0" x 1'-0"



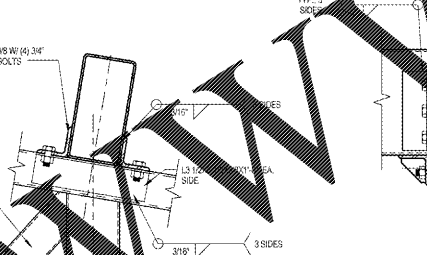
7 TRUSS CONX. WELDS, TYP.  
CS4 1'-0" x 1'-0"



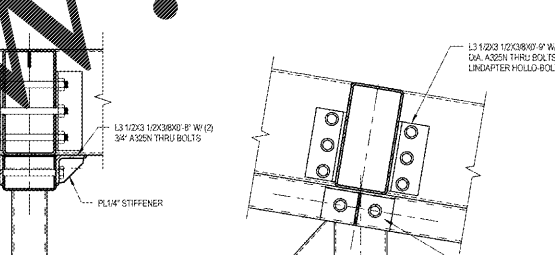
8 HIGH REAR OUTRIGGER TO TRUSS CONX.  
CS4 1'-0" x 1'-0"



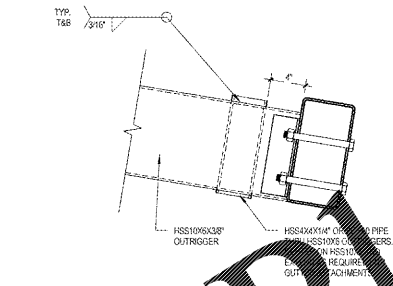
9 TRUSS TO PURLIN CONX., U.O.N.  
CS4 1'-0" x 1'-0"



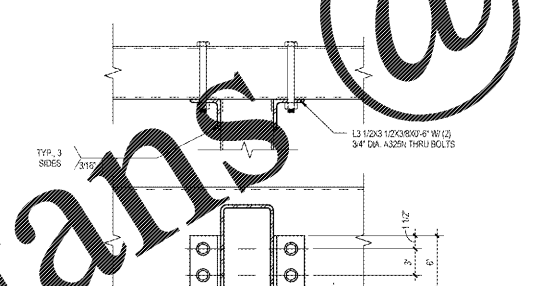
10 HIGH REAR OUTRIGGER TO TRUSS CONX.  
CS4 1'-0" x 1'-0"



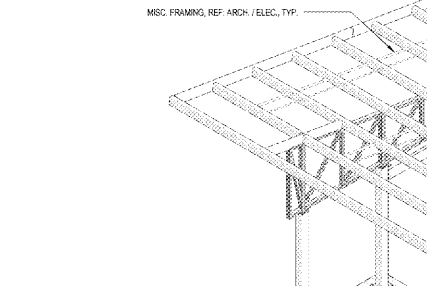
11 MISC. FRAMING  
CS4 1'-0" x 1'-0"



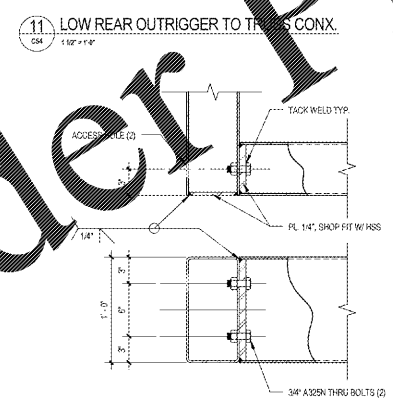
12 LOW REAR OUTRIGGER TO TRUSS CONX.  
CS4 1'-0" x 1'-0"



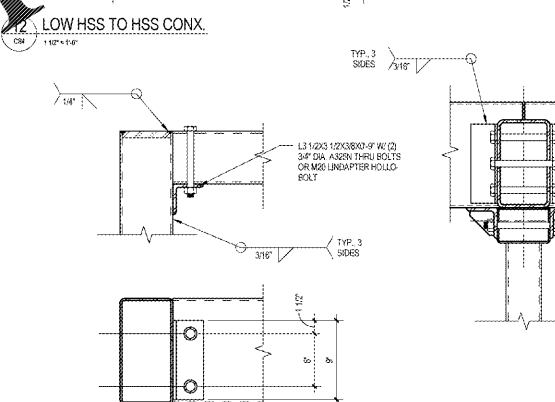
13 LOW HSS TO HSS CONX.  
CS4 1'-0" x 1'-0"



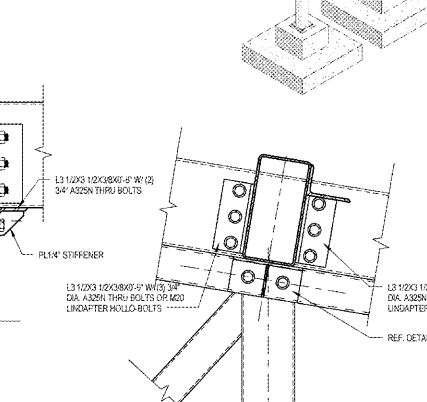
14 LOW REAR OUTRIGGER TO TRUSS CONX.  
CS4 1'-0" x 1'-0"



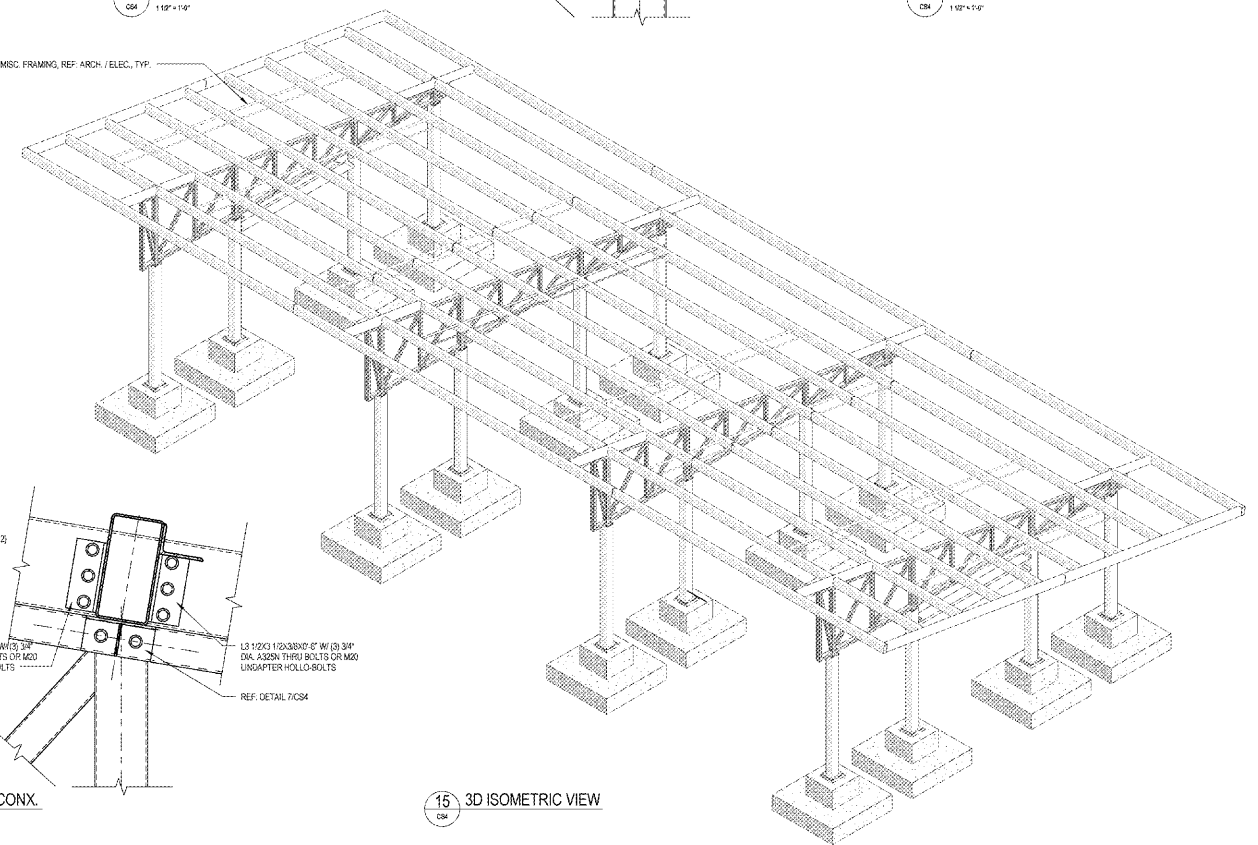
15 LOW HSS TO HSS CORNER CONX.  
CS4 1'-0" x 1'-0"



16 LOW ALT. HSS TO HSS CORNER CONX.  
CS4 1'-0" x 1'-0"



17 LOW REAR OUTRIGGER TO TRUSS CONX.  
CS4 1'-0" x 1'-0"



18 3D ISOMETRIC VIEW  
CS4

Order Plans @

WWW.LDLINE.COM

LD Line & Peterson  
Structural Engineers  
Architects  
Interior Designers  
Professional Services  
13000 West 13th Avenue, Suite 100  
Denver, CO 80202  
Phone: 303.751.1111  
Fax: 303.751.1112

CLIENT NAME  
**WAWA**  
280 WEST BALTIMORE PIKE  
WAWA, PENNSYLVANIA 19053

PROJECT NAME  
**WAWA STACKED 8 GAS CANOPY 2017.01 STORE #5254-0KE**  
ORKECHOBEE RD. & JENKINS RD.  
FT. PIERCE, FLORIDA

Revision	Description	Date
1	ISSUED FOR PERMIT	08/08/2017
2	PERMIT REVIEW SET	07/26/2017
3	BID SET	08/03/2017

PROJECT NO. 210203  
DATE 08/08/2017  
DRAWN BY  
CHECKED BY  
SCALE  
SHEET TITLE  
**CS4**