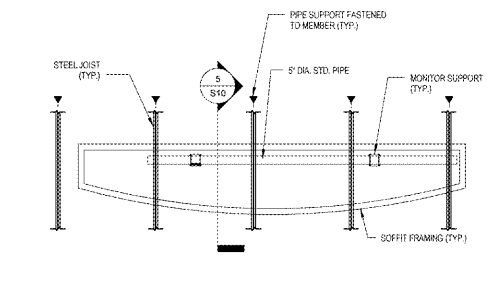
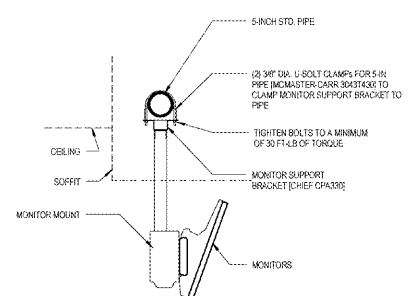


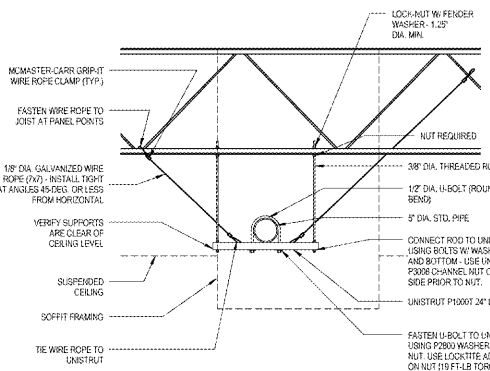
1 STRUCTURAL PLANS - LEVEL 3
3/8" = 1'-0"



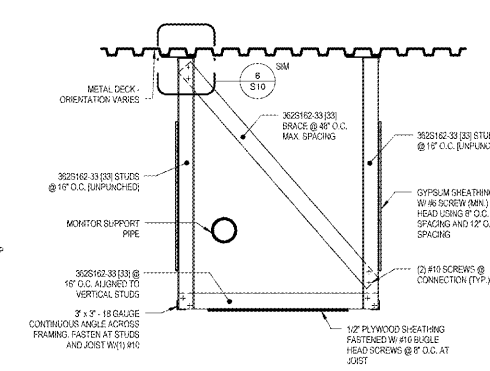
2 STRUCTURAL PLANS - LEVEL 3 SOFFIT FRAMING
3/8" = 1'-0"



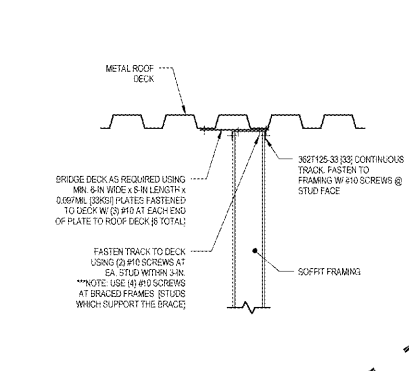
3 MONITOR TO PIPE CONNECTION
3/8" = 1'-0"



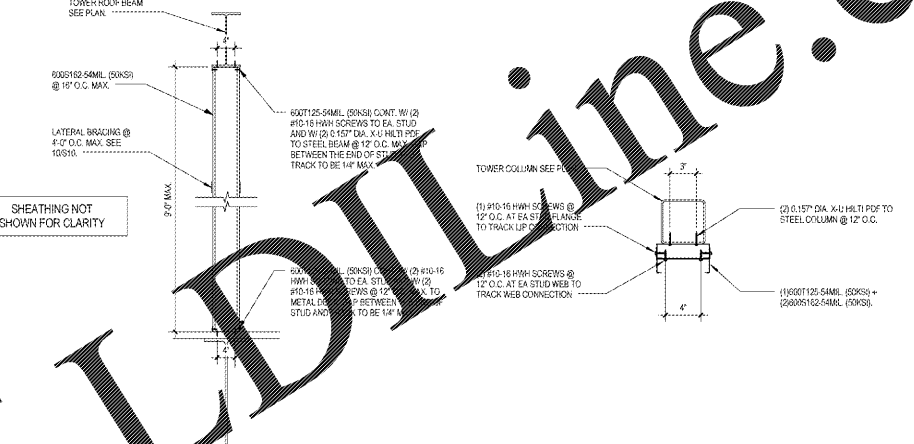
4 TYPICAL PIPE SUPPORT
3/8" = 1'-0"



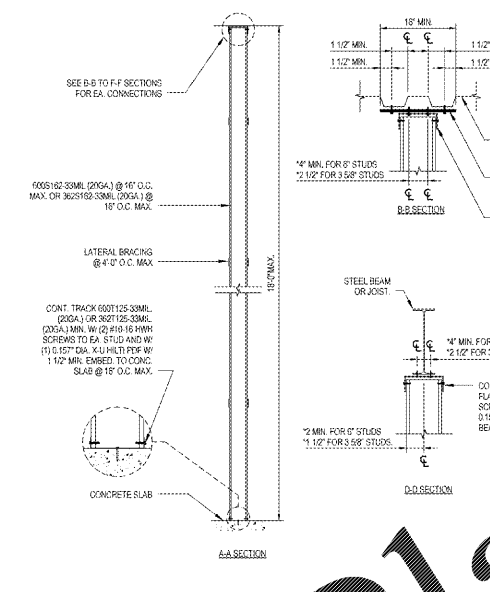
5 TYPICAL SOFFIT SECTION
3/8" = 1'-0"



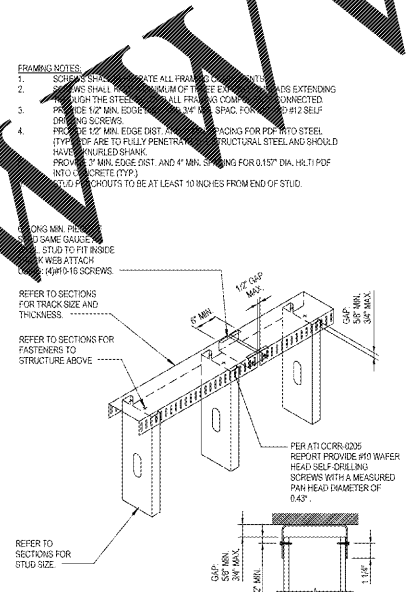
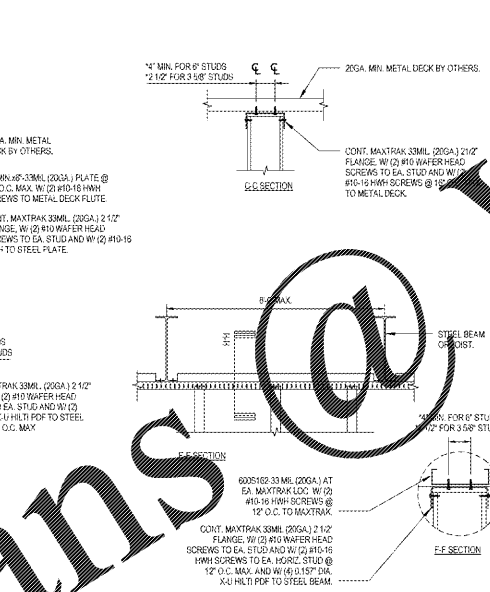
6 FRAMING TO ROOF DECK CONNECTION
3/8" = 1'-0"



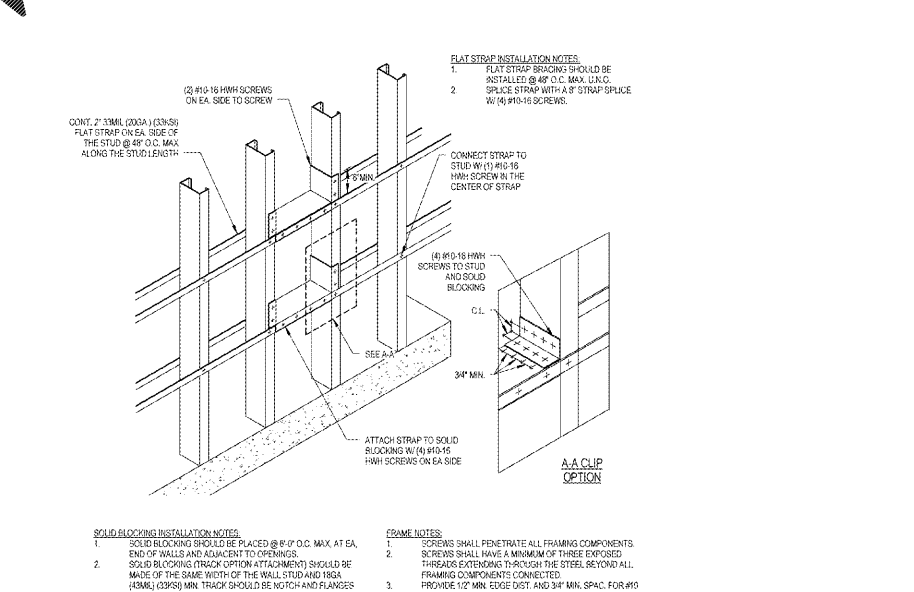
8 SHEAR WALL END BUILT UP COLUMN
3/8" = 1'-0"



9 TYP. INTERIOR WALL FRAMING
3/8" = 1'-0"



10 LATERAL BRACING FOR HORIZ. OR VERT. FRAMING
3/8" = 1'-0"



10 LATERAL BRACING FOR HORIZ. OR VERT. FRAMING
3/8" = 1'-0"

Order Plans @ www.lpdline.com

Clark & Peterson
Engineers
Architects
Interior Designers
1000 West Baltimore Pike
Wawa, Pennsylvania 19083
Tel: 610-328-1400
Fax: 610-328-1401
www.lpdline.com

CLIENT NAME
WAWA
260 WEST BALTIMORE PIKE
WAWA, PENNSYLVANIA 19083

PROJECT NAME
WAWA F85FB 2017.01 STORE #5254-0KE
OREECHOBEE RD. & JENKINS RD.
FT. PIERCE, FLORIDA

Revision Schedule	
No.	Description
1	PRELIMINARY
2	REVISED
3	REVISED
4	REVISED
5	REVISED
6	REVISED
7	REVISED
8	REVISED
9	REVISED
10	REVISED
11	REVISED
12	REVISED
13	REVISED
14	REVISED
15	REVISED
16	REVISED
17	REVISED
18	REVISED
19	REVISED
20	REVISED
21	REVISED
22	REVISED
23	REVISED
24	REVISED
25	REVISED
26	REVISED
27	REVISED
28	REVISED
29	REVISED
30	REVISED
31	REVISED
32	REVISED
33	REVISED
34	REVISED
35	REVISED
36	REVISED
37	REVISED
38	REVISED
39	REVISED
40	REVISED
41	REVISED
42	REVISED
43	REVISED
44	REVISED
45	REVISED
46	REVISED
47	REVISED
48	REVISED
49	REVISED
50	REVISED