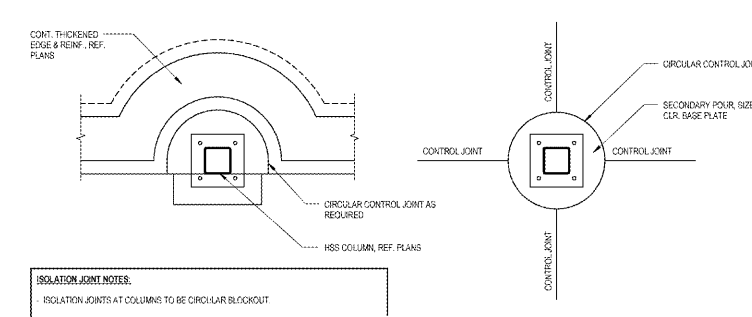


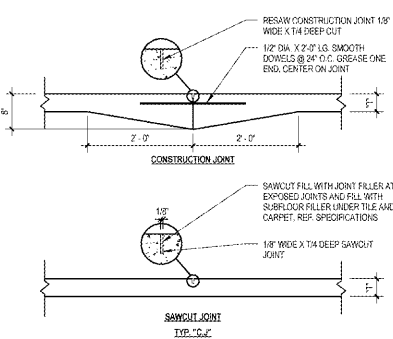
(4) BOLT BASE PLATE

(4)(B) BOLT BASE PLATE AT BRACE



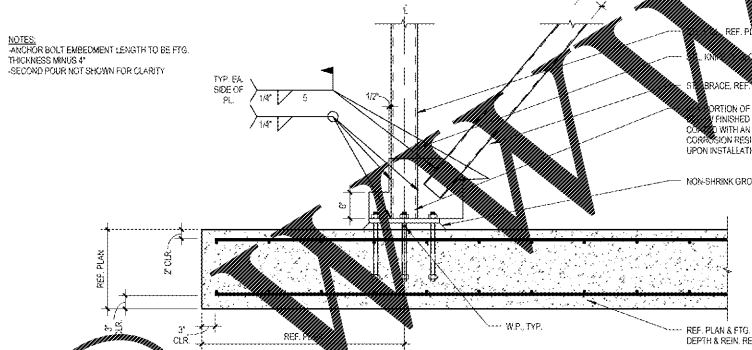
ISOLATION JOINT NOTES:
 ISOLATION JOINTS AT COLUMNS TO BE CIRCULAR BLOCKOUT
 SECONDARY POUR AT LEAVE OUTS TO BE SIZED TO CLR. BASE PLATE AND BRACE WHERE BRACE OCCURS

(2) GENERAL ISOLATION JOINT INFORMATION

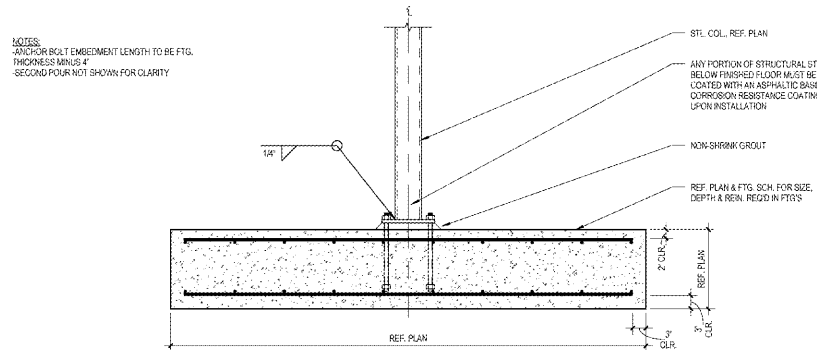


SLAB JOINT NOTES:
 REF. PLAN FOR SLAB THICKNESS "T", REINFORCING AND SUBBASE
 CONTROL JOINTS TO BE EITHER A SAWCUT OR CONSTRUCTION JOINT
 SAWCUT JOINT SHALL BE 1/8\"/>

(3) GENERAL CONSTRUCTION JOINT INFORMATION

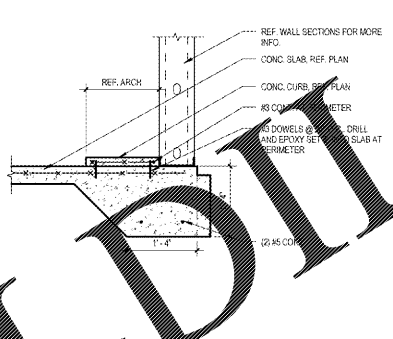


(1) GENERAL BASE PLATE AND ANCHOR BOLT INFORMATION

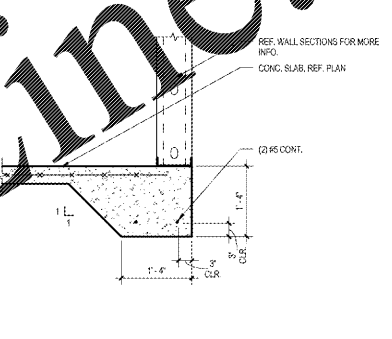


(8) FOUNDATION DETAIL

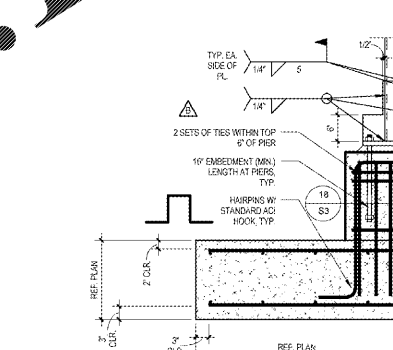
(4) FOUNDATION DETAIL



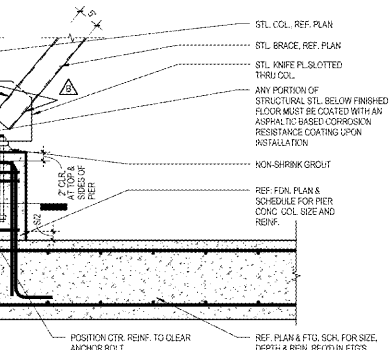
(5) FOUNDATION DETAIL



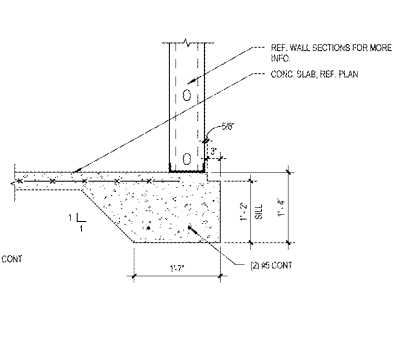
(6) FOUNDATION DETAIL



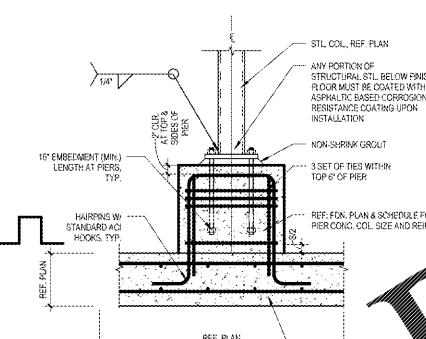
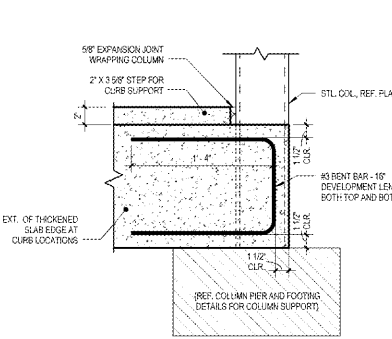
(7) THICKENED EDGE DETAIL



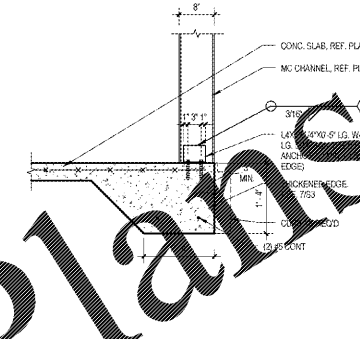
(10) PIER #2 FOUNDATION DETAIL



(16) CURB AT COLUMN

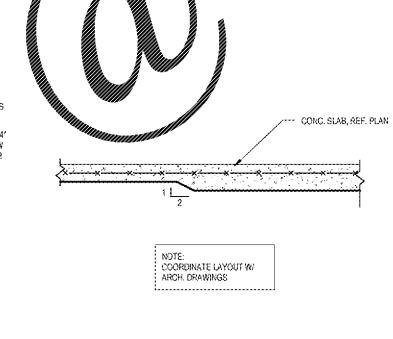


(11) PIER #1 FOUNDATION DETAIL



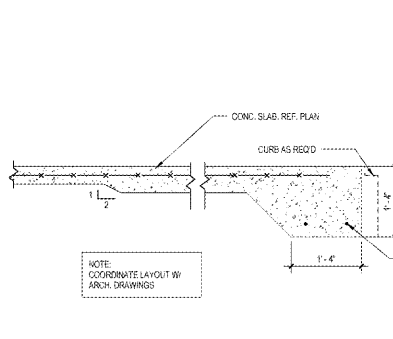
(12) FOUNDATION DETAIL

(9) FOUNDATION DETAIL



(13) FOUNDATION DETAIL

(14) FOUNDATION DETAIL



(15) THICKENED EDGE - WITH CURB



(17) INTERIOR FOUNDATION DETAIL



(18) PIER #2 SECTION



(19) PIER #2 ISO



Order Plans @ www.IDMline.com

Revision Schedule	
No.	Description
A	PRELIMINARY
B	REVISED
C	PRELIMINARY REVIEW SET
D	BID SET
E	CONSTRUCTION SET