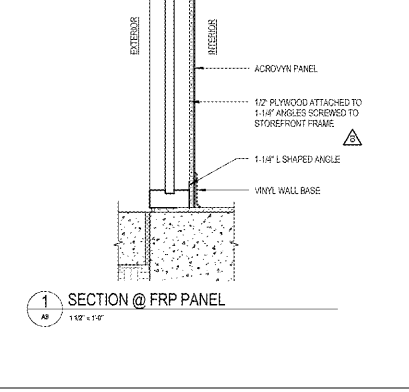
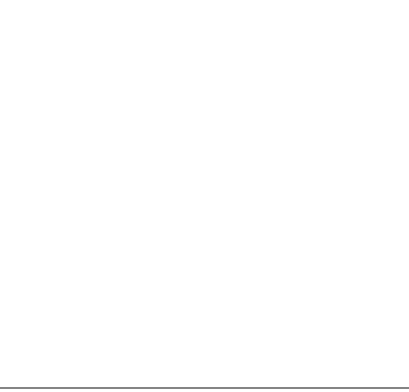
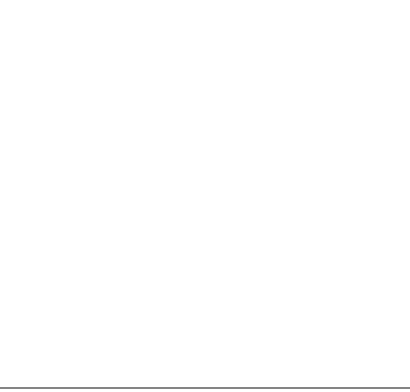
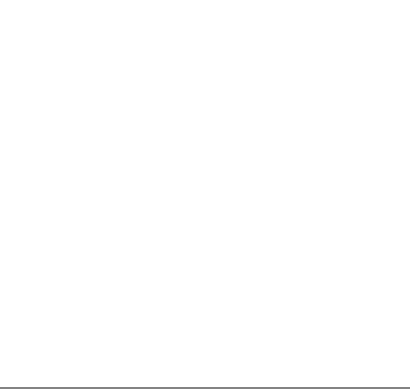
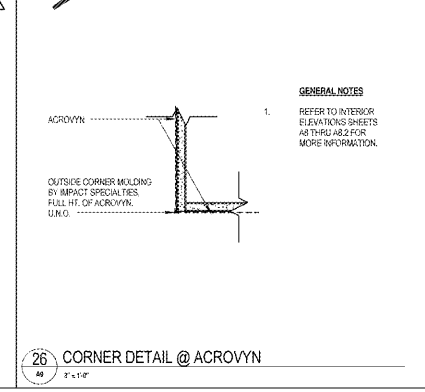
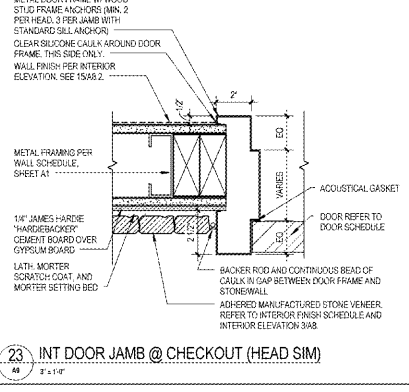
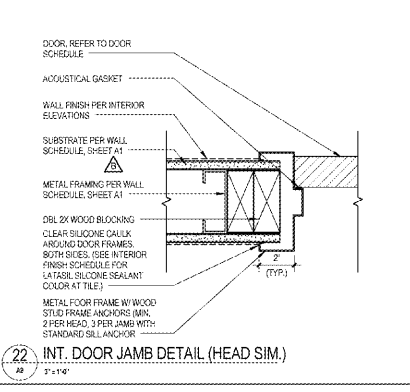
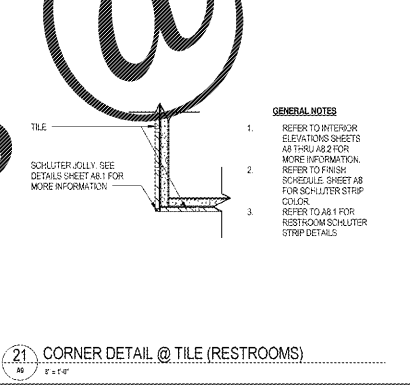
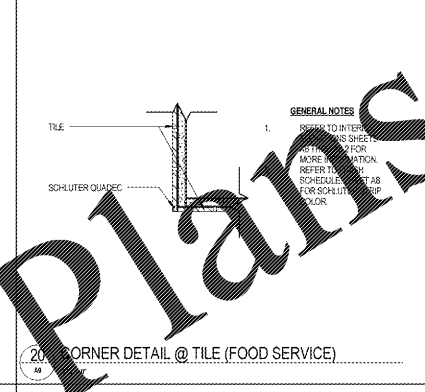
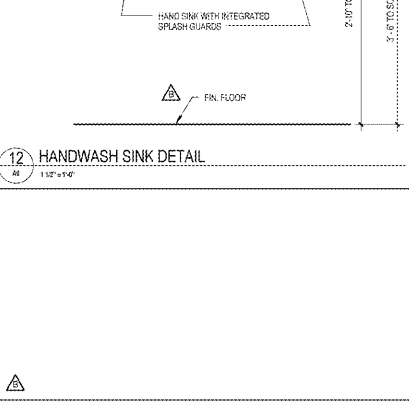
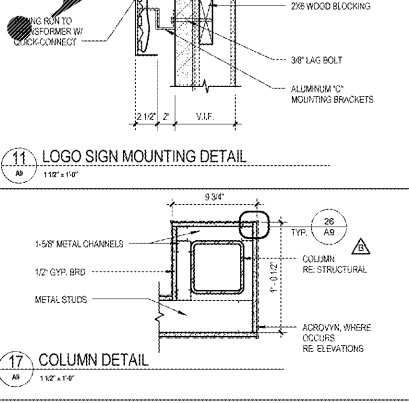
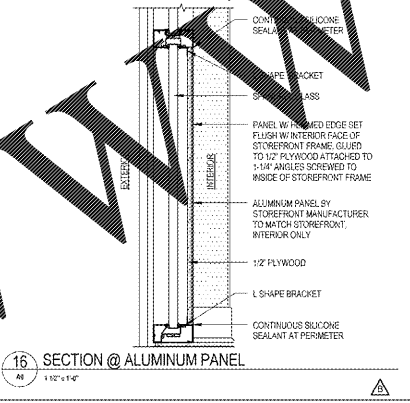
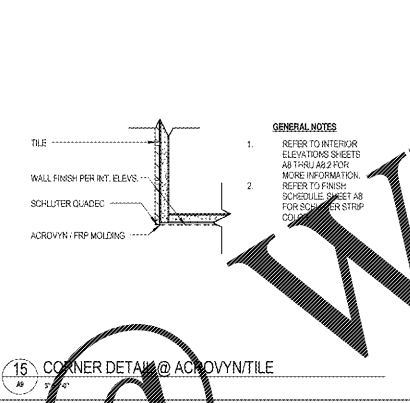
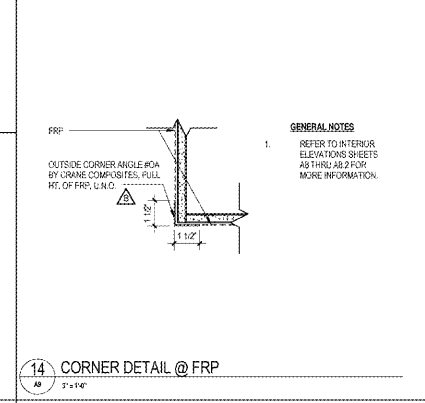
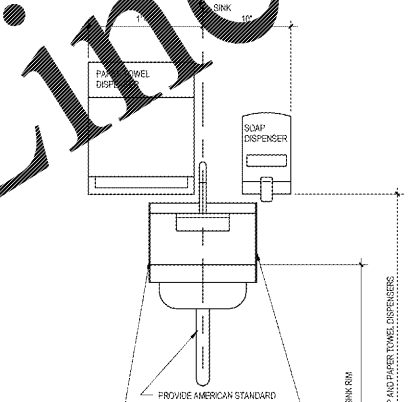
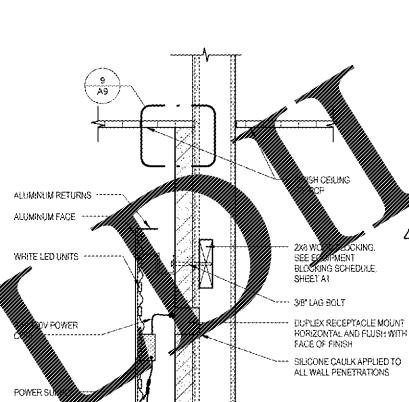
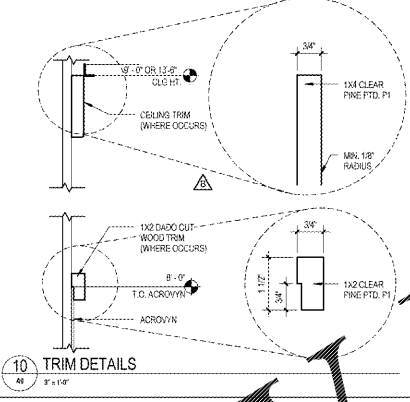
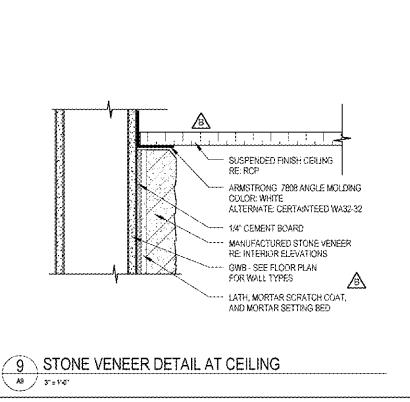
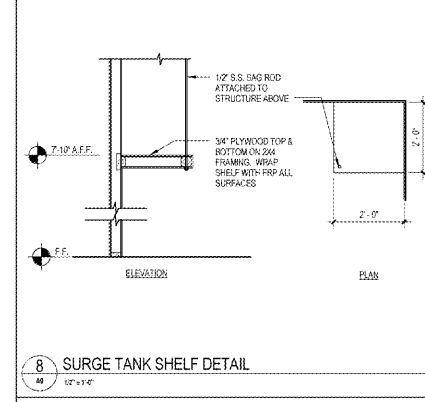
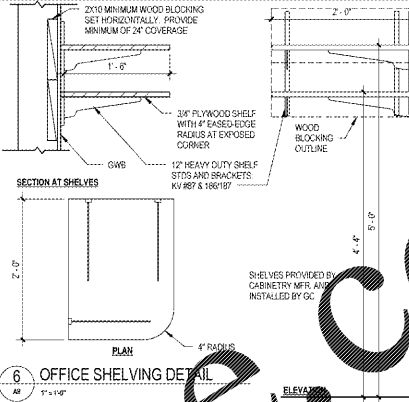
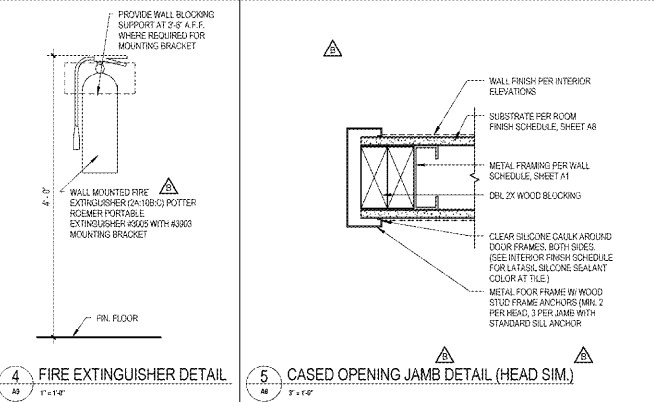
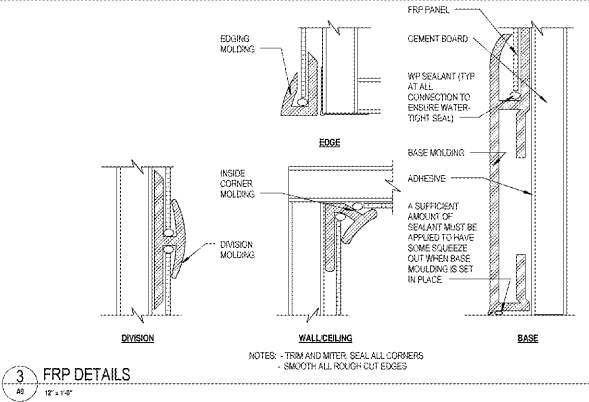
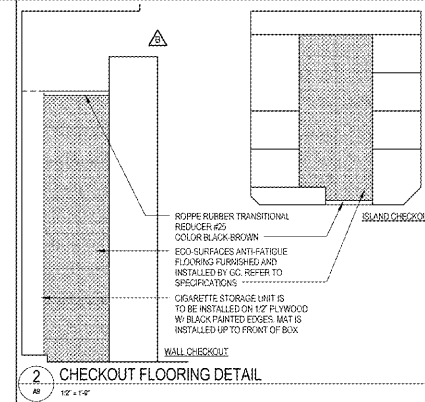


Order Plans



**WAWA & Peterson**  
Architects  
Planners  
Engineers  
Interior Designers  
10000 Woodloch Forest Dr.  
Suite 100  
Baltimore, MD 21262  
Tel: 410.524.0400  
Fax: 410.524.0401  
www.wawaonline.com

**CLIENT NAME**  
WAWA  
280 WEST BALTIMORE PIKE  
WAWA, PENNSYLVANIA 19083

**PROJECT NAME**  
WAWA F85FB 2017.01 STORE #5254-0KE  
OKECHOBEE RD & JENKINS RD.  
FT. PIERCE, FLORIDA

**SHEET TITLE**  
INTERIOR DETAILS

No.	Description	Date	By	Checked
1	PRELIMINARY	04/24/2017		
2	REVISED	07/28/2017		
3	PRELIMINARY REVIEW SET	07/28/2017		
4	BID SET	08/30/2017		

**PROJECT NO.**  
210003

**DATE**  
08/30/2017

**BY**  
GJL

**CHECKED**  
BL

A9