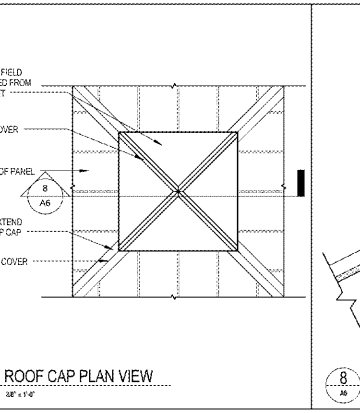
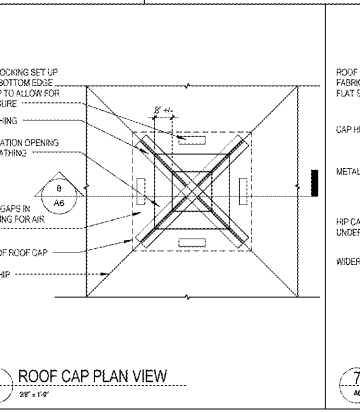
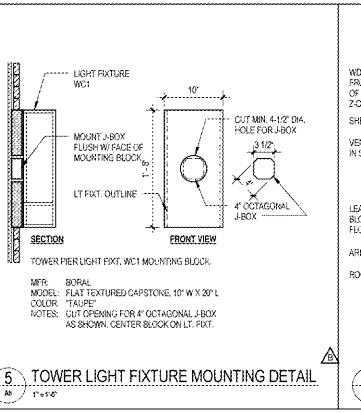
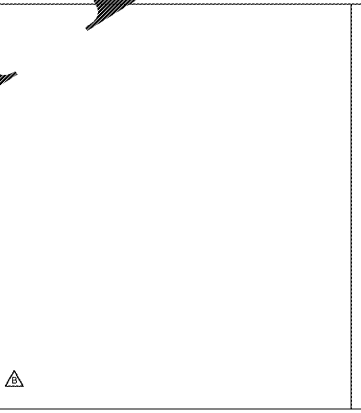
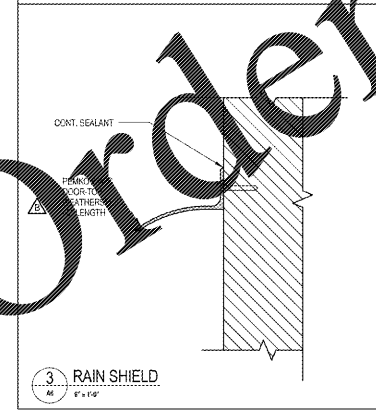
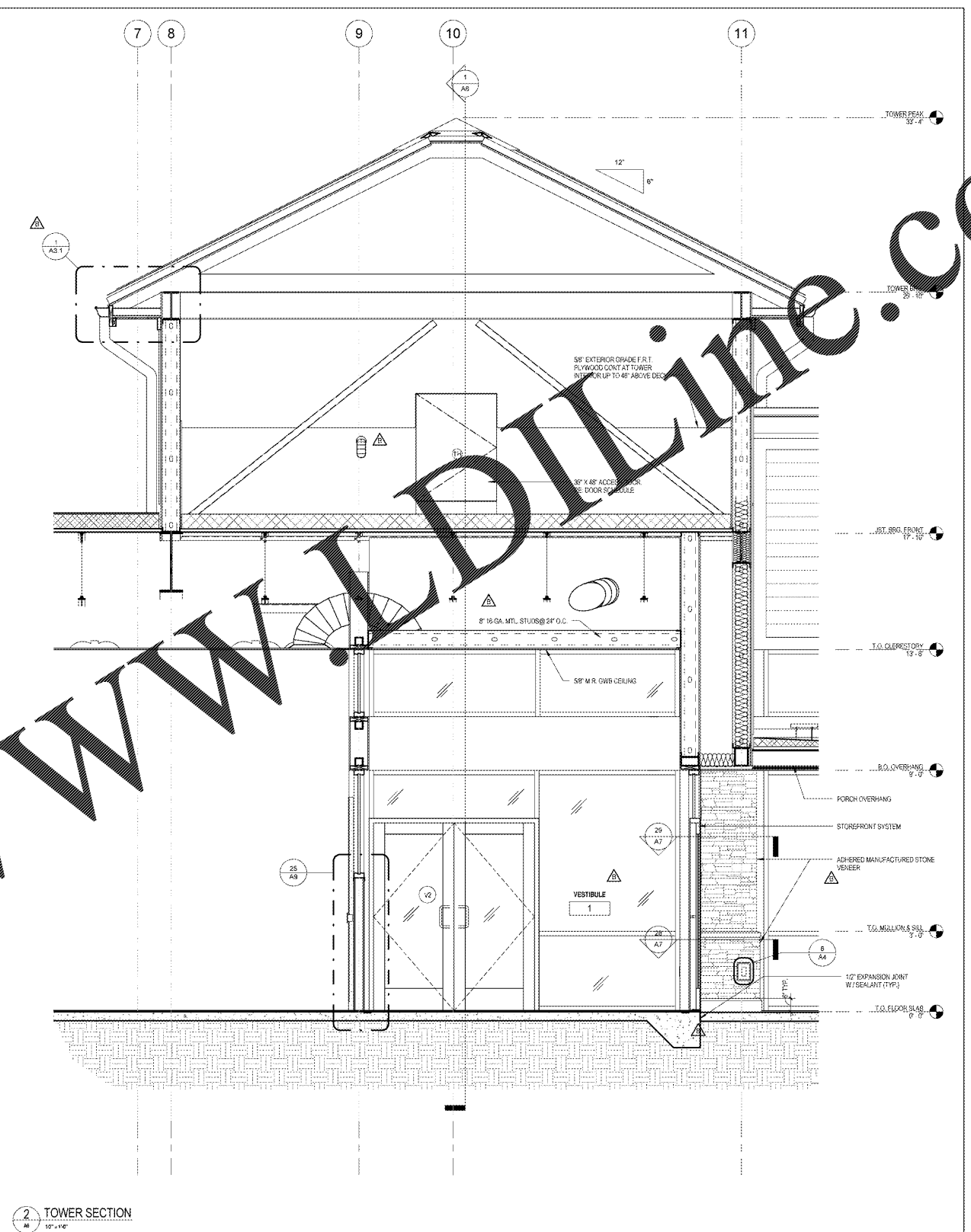
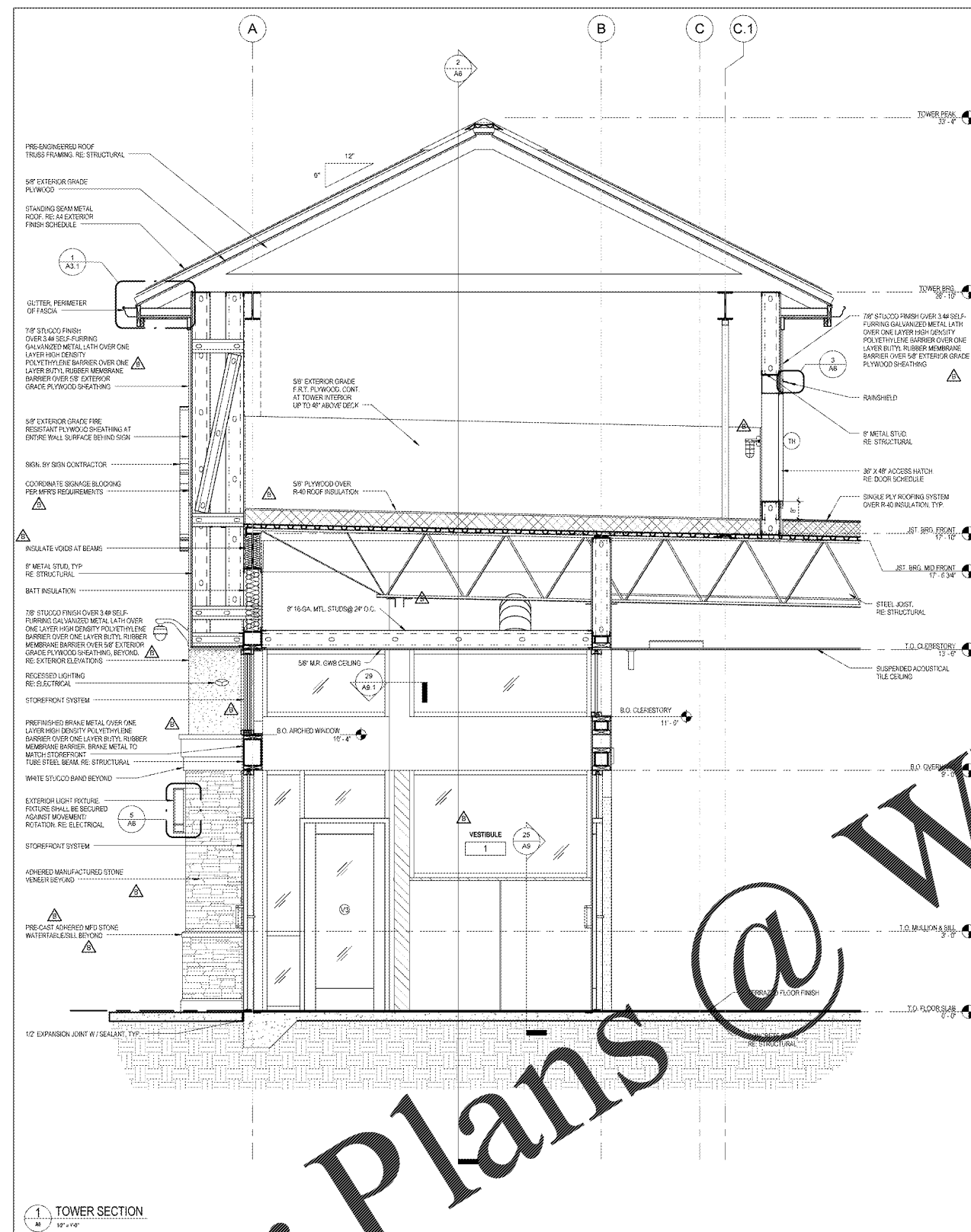


CLIENT NAME  
**WAWA**  
260 WEST BALTIMORE PIKE  
WAWA, PENNSYLVANIA 19083

PROJECT NAME  
**WAWA F85FB 2017.01 STORE #5254-0KE**  
ORKECHOBEE RD & JENKINS RD.  
FT. PIERCE, FLORIDA

SHEET TITLE  
**WALL SECTIONS AND DETAILS**

Revision	Description	Date
1	ISSUED FOR PERMIT	04/24/2017
2	REVISED	07/26/2017
3	REVISED	07/26/2017
4	REVISED	08/30/2017
5	REVISED	08/30/2017
6	REVISED	08/30/2017
7	REVISED	08/30/2017
8	REVISED	08/30/2017
9	REVISED	08/30/2017
10	REVISED	08/30/2017
11	REVISED	08/30/2017
12	REVISED	08/30/2017
13	REVISED	08/30/2017
14	REVISED	08/30/2017
15	REVISED	08/30/2017
16	REVISED	08/30/2017
17	REVISED	08/30/2017
18	REVISED	08/30/2017
19	REVISED	08/30/2017
20	REVISED	08/30/2017
21	REVISED	08/30/2017
22	REVISED	08/30/2017
23	REVISED	08/30/2017
24	REVISED	08/30/2017
25	REVISED	08/30/2017
26	REVISED	08/30/2017
27	REVISED	08/30/2017
28	REVISED	08/30/2017
29	REVISED	08/30/2017
30	REVISED	08/30/2017
31	REVISED	08/30/2017
32	REVISED	08/30/2017
33	REVISED	08/30/2017
34	REVISED	08/30/2017
35	REVISED	08/30/2017
36	REVISED	08/30/2017
37	REVISED	08/30/2017
38	REVISED	08/30/2017
39	REVISED	08/30/2017
40	REVISED	08/30/2017
41	REVISED	08/30/2017
42	REVISED	08/30/2017
43	REVISED	08/30/2017
44	REVISED	08/30/2017
45	REVISED	08/30/2017
46	REVISED	08/30/2017
47	REVISED	08/30/2017
48	REVISED	08/30/2017
49	REVISED	08/30/2017
50	REVISED	08/30/2017
51	REVISED	08/30/2017
52	REVISED	08/30/2017
53	REVISED	08/30/2017
54	REVISED	08/30/2017
55	REVISED	08/30/2017
56	REVISED	08/30/2017
57	REVISED	08/30/2017
58	REVISED	08/30/2017
59	REVISED	08/30/2017
60	REVISED	08/30/2017
61	REVISED	08/30/2017
62	REVISED	08/30/2017
63	REVISED	08/30/2017
64	REVISED	08/30/2017
65	REVISED	08/30/2017
66	REVISED	08/30/2017
67	REVISED	08/30/2017
68	REVISED	08/30/2017
69	REVISED	08/30/2017
70	REVISED	08/30/2017
71	REVISED	08/30/2017
72	REVISED	08/30/2017
73	REVISED	08/30/2017
74	REVISED	08/30/2017
75	REVISED	08/30/2017
76	REVISED	08/30/2017
77	REVISED	08/30/2017
78	REVISED	08/30/2017
79	REVISED	08/30/2017
80	REVISED	08/30/2017
81	REVISED	08/30/2017
82	REVISED	08/30/2017
83	REVISED	08/30/2017
84	REVISED	08/30/2017
85	REVISED	08/30/2017
86	REVISED	08/30/2017
87	REVISED	08/30/2017
88	REVISED	08/30/2017
89	REVISED	08/30/2017
90	REVISED	08/30/2017
91	REVISED	08/30/2017
92	REVISED	08/30/2017
93	REVISED	08/30/2017
94	REVISED	08/30/2017
95	REVISED	08/30/2017
96	REVISED	08/30/2017
97	REVISED	08/30/2017
98	REVISED	08/30/2017
99	REVISED	08/30/2017
100	REVISED	08/30/2017



Order Plans @ WWW.WALDLINE.COM