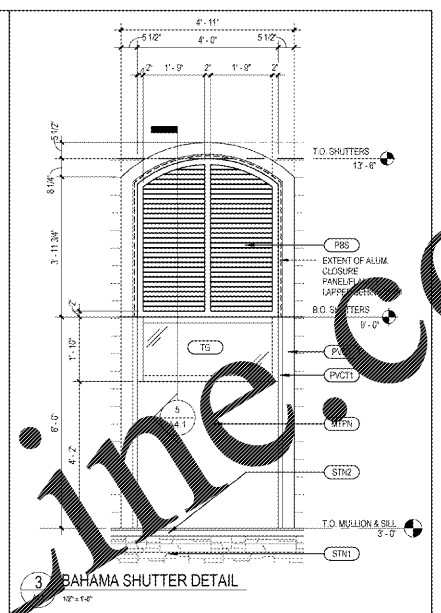
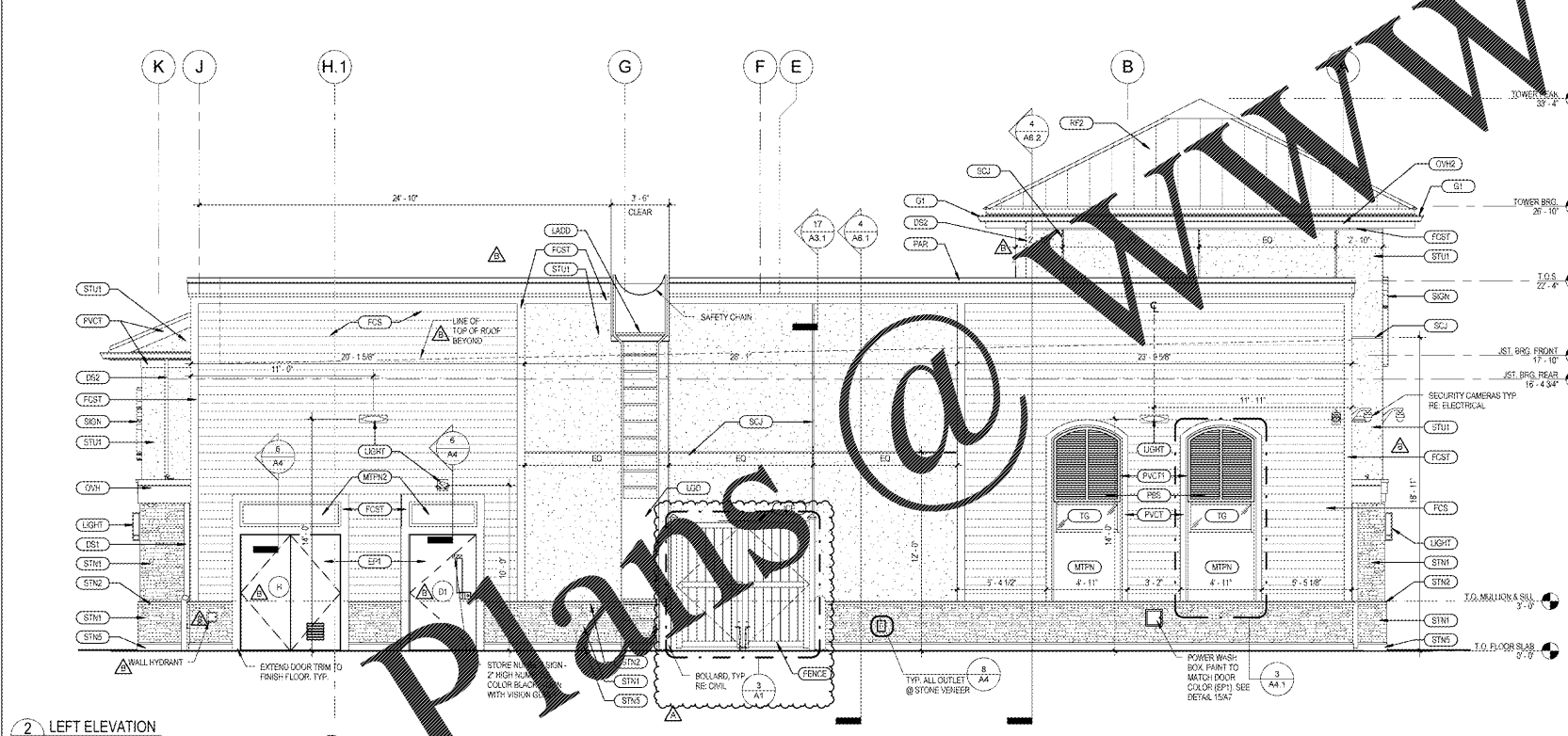


1 REAR ELEVATION
 1/4" = 1'-0"

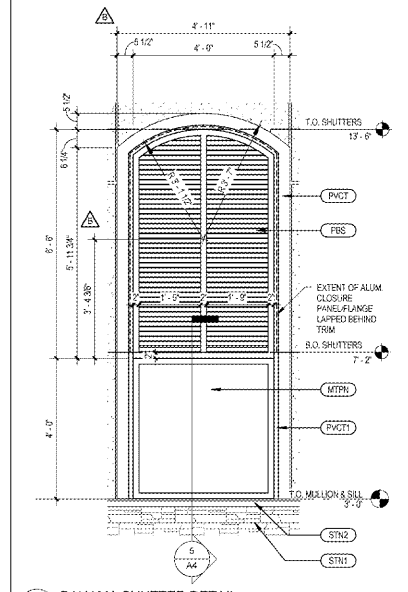


3 BAHAMA SHUTTER DETAIL
 1/4" = 1'-0"

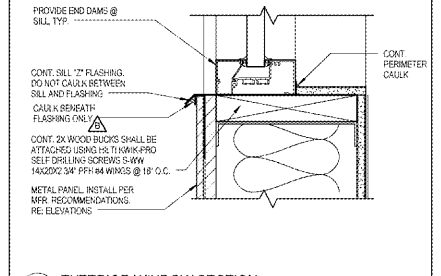
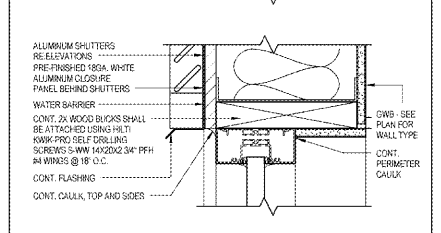
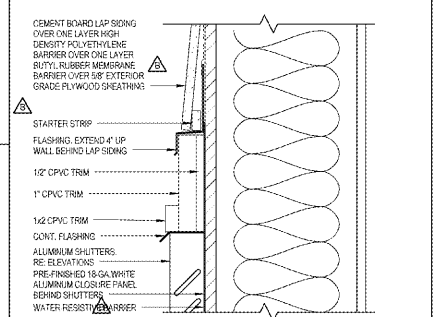


2 LEFT ELEVATION
 1/4" = 1'-0"

NOTE: ALL SIGNAGE WILL BE PERMITTED SEPARATELY.

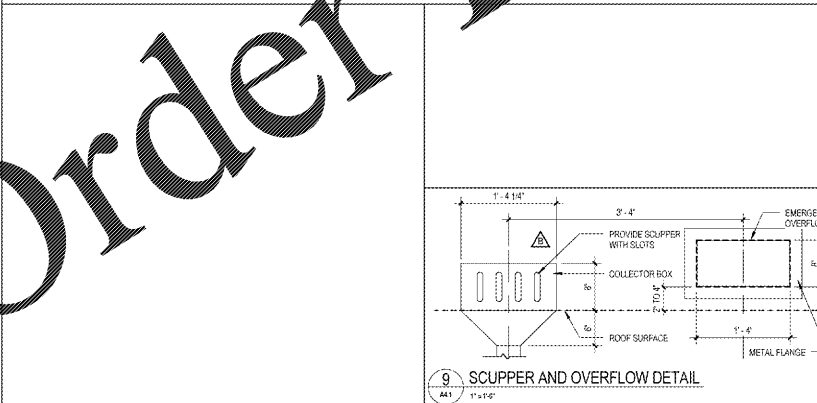


4 BAHAMA SHUTTER DETAIL
 1/4" = 1'-0"



5 EXTERIOR WINDOW SECTION
 1/4" = 1'-0"

GENERAL NOTES
 1. ALL BLOCKING @ HARDIE FOR LIGHTS, SECURITY ITEMS. SEE DETAIL 18A7.
 2. MOUNT SECURITY CAMERAS THE SAME HEIGHT AS THE EXTERIOR WALL FINISH.
 3. PROVIDE 3/4" ELECTRICAL BOX WITH TRIM BY BOLLARD GREEN. COLOR MATCH THE TAN AT ALL EXTERIOR ELECTRICAL RECEPTACLES MOUNTED ON STONE. SEE DETAIL 844.



9 SCUPPER AND OVERFLOW DETAIL
 1/4" = 1'-0"

SYMBOL	MATERIAL	MANUFACTURER	COLOR	NOTES
C22	DOX FILL BOX WITH PVC SLEEVE THRU WALL	SUPPLIER		SEE A1 FOR LOCATION AND MOUNTING DETAIL 18A7 (SM)
DS	STAINLESS STEEL TUBEWALL SCUPPER & COLLECTOR AND 4" DIA. STAINLESS STEEL DOWNPOUT	ATAS INTERNATIONAL INC.	NATURAL MALL FINISH	COORDINATE WITH CWL FOR CONNECTION TO STORM SEWER. SEE DETAIL 14A & 14A7. ALTERNATE: PETERSEN PAC CLAD
DS1	4" DIA. STAINLESS STEEL DOWNPOUT REFER TO SPECS FOR GAUGE	ATAS INTERNATIONAL INC.	NATURAL MALL FINISH	COORDINATE WITH CWL FOR CONNECTION TO STORM SEWER. SEE DETAIL 14A & 14A7. ALTERNATE: PETERSEN PAC CLAD
DS2	4" DIA. 100 ALUM. DOWNPOUT	ATAS INTERNATIONAL INC.	NATURAL MALL FINISH	ALTERNATE: PETERSEN PAC CLAD
EP1	PAINT	BENJAMIN MOORE	COLOR: WHITE DAMNED 2121-04 FINISH: EGGSHELL	DOOR & FRAME
FCS	"ARTISAN" PLAIN LAP SIDING	HARRIS HARDIE	HARRIS CREAM FINISH: BEADED SMOOTH: 8/2" X 12"	PRE-FINISHED. PROVIDE COLOR-MATCHED CALK BY JAMES HARDIE
FCS1	"ARTISAN" ACCEENT TRIM	JAMES HARDIE	ARTIC WHITE FINISH: SMOOTH: 1 1/8" X 6" X 1/2" PL	PRE-FINISHED. PROVIDE COLOR-MATCHED CALK BY JAMES HARDIE
FENCE	PVC FENCE AND GATES	SURFTOUCH	CONCRETE FENCE: COLOR: WHITE	CONCRETE: NO SLOTTED. SEE SHEET A31
ICE	ICE MESH-HARDNER	LEBER	PART: BENJAMIN MOORE: EM-CO1: NATURAL WICKER	CONCRETE: NO SLOTTED. SEE SHEET A31
LAD	METAL EXTERIOR LADDER	EASTERN METAL SUPPLY	BRUSHED ALUMINUM	SEE A31 FOR DETAILS
LG	LED			SEE ELECTRICAL DRAWINGS AND DETAIL 18A7 FOR MOUNTING
LIGHT	EXTERIOR LIGHT FIXTURE			SEE ELECTRICAL DRAWINGS AND DETAIL 18A7 FOR MOUNTING
MTPN	METAL PANEL	PIONEER ARCHITECTURAL SYSTEMS	COLOR TO MATCH ADJACENT TRIM	BAHAMA SHUTTERS
MTPA2	METAL PANEL	PIONEER ARCHITECTURAL SYSTEMS	PAINT TO MATCH DOORS: P1	
OPS	STAINLESS STEEL 1/2" X 1/2" OVERFLOW SCUPPER	ATAS INTERNATIONAL INC.	NATURAL MALL FINISH	ALTERNATE: PETERSEN PAC CLAD
OVH	METAL OVERHANG FACING	ATAS INTERNATIONAL INC.	RAPID-DK FASCIA: CUSTOM EGGSHELL FASCIA: COLOR: 817 BRITE RED	SEE A31 FOR DETAILS. ALTERNATE: PETERSEN PAC CLAD
OVH2	HP ROOF FASCIA	ATAS INTERNATIONAL INC.	BRUSH METAL. COLOR: 802 BONE WHITE	SEE A31 FOR DETAILS. ALTERNATE: PETERSEN PAC CLAD

SYMBOL	MATERIAL	MANUFACTURER	COLOR	NOTES
PAR	ALUMINUM PARAPET CAP	ATAS INTERNATIONAL INC.	COLOR TO MATCH ADJACENT TRIM	ALTERNATE: PETERSEN PAC CLAD
FBS	PRE-FINISHED ALUMINUM BAHAMA SHUTTER	PIONEER ARCHITECTURAL SYSTEMS	COLOR TO MATCH ADJACENT TRIM	SHUTTER PER SPECS. CONTACT (610) 206-6667
PVCT	ACCEENT TRIM	AZEK	WHITE FINISH: SMOOTH	PRE-FINISHED. ALTERNATE: PALEST
PVCT1	ACCEENT TRIM	AZEK	1 1/2" WHITE FINISH: SMOOTH	PRE-FINISHED. ALTERNATE: PALEST
RO2	METAL ROOFING	ATAS INTERNATIONAL INC.	METAL ROOFING: 1/2" X 12" X 1/2" COLOR: 822 COPPERSTONE	ALTERNATE: PETERSEN PAC CLAD
RSF3	STANDING SEAM ROOF HP CAP	ATAS INTERNATIONAL INC.	TO MATCH: METAL ROOFING	ALTERNATE: PETERSEN PAC CLAD
RSUP	ROOF SUPPORT & PLATE		POWDER COAT. MATCH SW 8076	SEE STRUCTURAL. ALL ROOF NOT INDICATED ON STRUCTURAL ARE PURELY DECORATIVE. REF: 20A11. W/ SHAPED ACCORDING TO STYLE RE: SPECS
SCJ	STUCCO CONTROL JOINT - 3/4" WIDE			BUILDING OVERHANGS. ALTERNATE: PETERSEN PAC CLAD
SCJN	ILLUMINATED SIGNAGE			FRIT TO BE ON INSIDE OF PANEL
SOFF	SPUN: SOLID AND VENTED	ATAS INTERNATIONAL INC.	BONE WHITE	
SPAN	SPANNING GLASS: 1" INSULATED THERMO-PAK	VEPA-SW	TALPE: WEST BLEND PF-8019, PROFIT LEDGESTONE	
STN1	MANUFACTURED STONE VENEER	BORAL	TALPE: CVB 1375	
STN2	PRE-CAST MANUFACTURED STONE	BORAL	TALPE: CVB 1375	
STN3	PRE-CAST STONE BARR	ITALIAN CAST STONE	COLOR: WHITE	SEE SHEET A10. GROUT JOINTS: 3/16" MAX. WIDTH. GROUT WITH BONSAL #1 WARM MORTAR
STN6	PRE-CAST STONE CAP	ITALIAN CAST STONE	COLOR: WHITE	SEE SHEET A10. GROUT JOINTS: 3/16" MAX. WIDTH. GROUT WITH BONSAL #1 WARM MORTAR
STOR	STURDIPANT SYSTEM	HARNBER	CLEAR ANODIZED	
STU1	STUCCO	GENESEE	#308 MERRISQUE FINISH: SAHARA	
STU2	STUCCO	GENESEE	#354 STARK WHITE FINISH: FINE	
TG	1" INSULATED THERMO-PAK			SEE SPECIFICATIONS
TR	36" X 48" ACCESS HATCH	PPG	SOLARSHY VLT. SEE SPECS	SEE SPECIFICATIONS

CLIENT NAME
WAWA
 280 WEST BALTIMORE PIKE
 WAWA, PENNSYLVANIA 19083

PROJECT NAME
WAWA F85FB 2017.01 STORE #5254-0KE
 OKEECHOBEE RD & JENKINS RD
 FT. PIERCE, FLORIDA

NO.	REVISION	DATE	BY	CHKD
1	PERMIT COMMENTS	10/25/2018		
2	REV. 2017.01	07/26/2017		
3	REV. 2017.01	07/26/2017		
4	REV. 2017.01	07/26/2017		
5	REV. 2017.01	07/26/2017		

PROJECT NO.
 210503

DATE
 08/30/2017

BY
 J. W. WAWA

CHKD
 J. W. WAWA

DATE
 08/30/2017

BY
 J. W. WAWA

CHKD
 J. W. WAWA

DATE
 08/30/2017

BY
 J. W. WAWA

CHKD
 J. W. WAWA