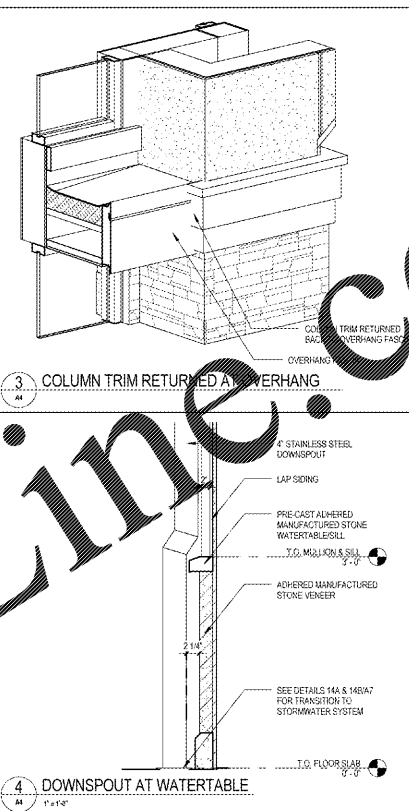
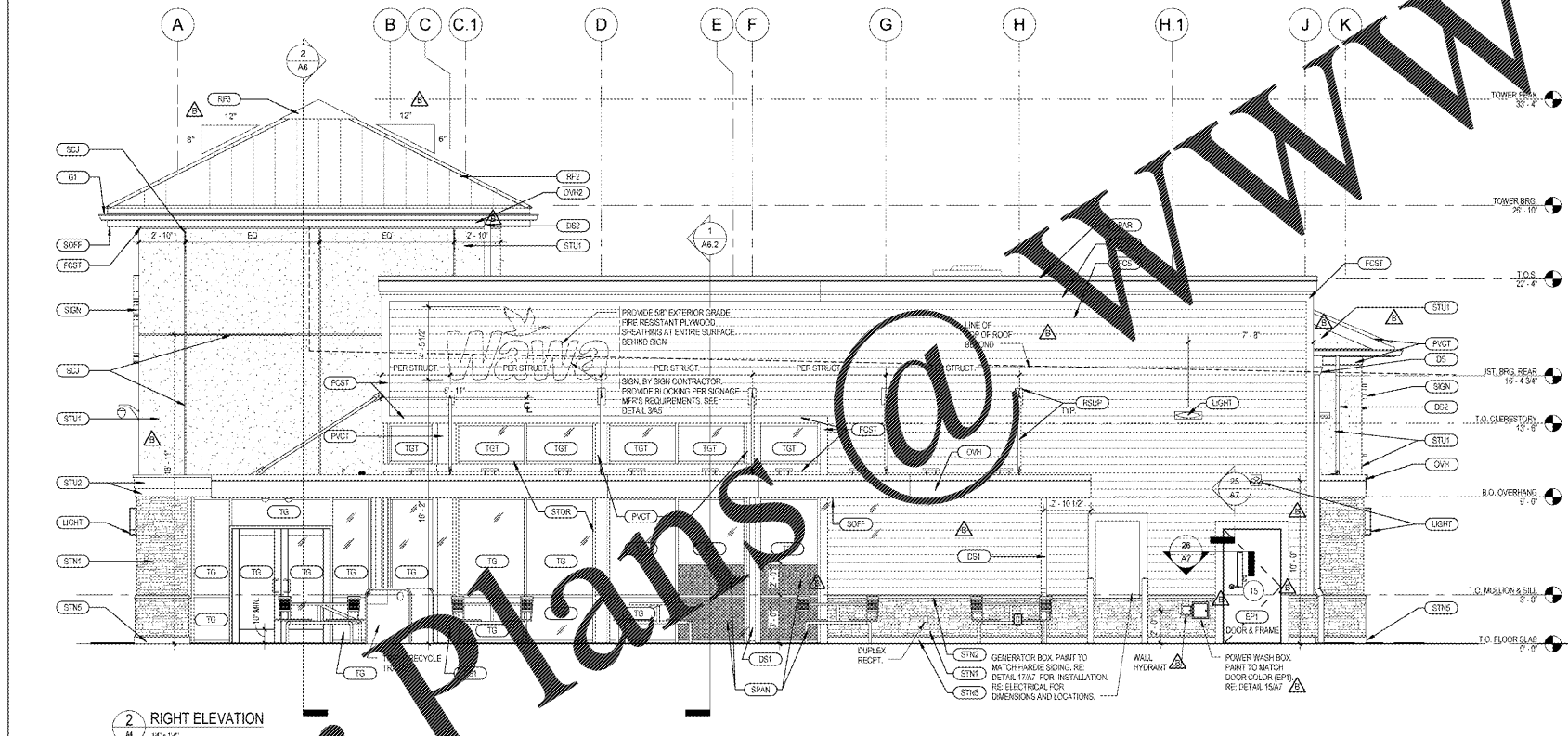


1 FRONT ELEVATION
11' x 14'



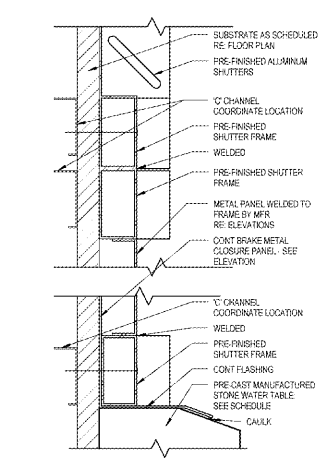
3 COLUMN TRIM RETURNED AT OVERHANG
1' x 1'

4 DOWNSPOUT AT WATERTABLE
1' x 1'

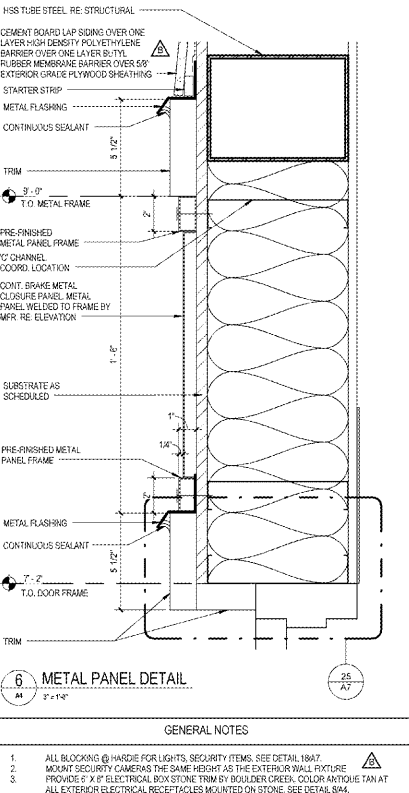


2 RIGHT ELEVATION
11' x 14'

NOTE: ALL SIGNAGE WILL BE PERMITTED SEPARATELY.

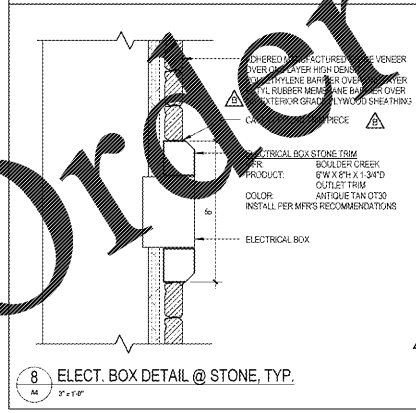


5 METAL PANEL UNDER SHUTTER
1' x 1'

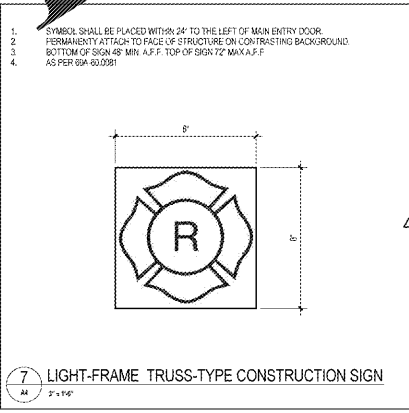


6 METAL PANEL DETAIL
1' x 1'

GENERAL NOTES
1. ALL BLOCKING @ HARDIE FOR LIGHTS, SECURITY ITEMS. SEE DETAIL 18A7.
2. MAXIMUM SECURITY CAMERAS THE SAME HEIGHT AS THE EXTERIOR WALL FIXTURE.
3. PROVIDE 3" IF ELECTRICAL BOX SETTING TRIM BY BOLLARD GREEN. COLOR MATCHING TAN AT ALL EXTERIOR ELECTRICAL RECEPTACLES MOUNTED ON STONE. SEE DETAIL 814.



8 ELECT. BOX DETAIL @ STONE, TYP.
1' x 1'



7 LIGHT-FRAME TRUSS-TYPE CONSTRUCTION SIGN
1' x 1'

ARCHITECTURAL - EXTERIOR FINISH SCHEDULE				
SYMBOL	MATERIAL	MANUFACTURER	COLOR	NOTES
C22	DOX FILL BOX WITH PVC SLEEVE THRU WALL	SUPPLIER		SEE A1 FOR LOCATION AND MOUNTING DETAIL 18A7 (SM)
DS	STAINLESS STEEL TUBULAR DOWNPOUT & COLLECTOR AND 4" DIA. STAINLESS STEEL DOWNSPOUT	ATAS INTERNATIONAL INC.		COORDINATE WITH CURB FOR CONNECTION TO STORM SEWER. SEE DETAIL 14A & 14B7. ALTERNATE: PETERSEN PAC CLAD
DS1	4" DIA. STAINLESS STEEL DOWNSPOUT REFER TO SPECS FOR GAUGE	ATAS INTERNATIONAL INC.		
DS2	1/2" DIA. (SEE ALUM. DOWNSPOUT)	ATAS INTERNATIONAL INC.		
EPI	PAINT	BENJAMIN MOORE	NATURAL WALL FINISH	DOOR & FRAME
FCS	'ARTISAN' FLANK LAP SIDING	JAMES HARGE	COLOR: WHITE OAKMAN 2121-40 FINISH: EGGSHELL	PRE-FINISHED. PROVIDE COLOR-MATCHED CALK BY JAMES HARGE.
FCST	'ARTISAN' ACCENT TRIM	JAMES HARGE	HARRIS CREAM FINISH: BEADED SMOOTH: 822' X 12'	PRE-FINISHED. PROVIDE COLOR-MATCHED CALK BY JAMES HARGE.
FEN	FENCE	SUPPTECH	ARTIC WHITE FINISH: SMOOTH, 1 1/2" THICK W/ X 1 1/2" PL	PRE-FINISHED. PROVIDE COLOR-MATCHED CALK BY JAMES HARGE.
ICE	ICE MESH-HARDNER	LEER	PAINT: BENJAMIN MOORE, BM-C01 NATURAL WICKER	CONTOURING. NO SEAMS ALLOWED. SEE SHEET A31.
LAD	METAL EXTERIOR LADDER	EASTERN METAL SUPPLY	BRUSHED ALUMINUM	SEE A31 FOR DETAILS.
LD	EXTERIOR LIGHT FIXTURE			SEE ELECTRICAL DRAWINGS AND DETAIL 18A7 FOR MOUNTING.
MTR	METAL PANEL	PIONEER ARCHITECTURAL SYSTEMS	COLOR TO MATCH ADJACENT TRIM	BAHAMA SHUTTERS
MTR2	METAL PANEL	PIONEER ARCHITECTURAL SYSTEMS	PAINT TO MATCH DOORS, PI	
OPS	STAINLESS STEEL 1/2" X 1/2" OVERFLOW RAFFER	ATAS INTERNATIONAL INC.	NATURAL WALL FINISH	ALTERNATE: PETERSEN PAC CLAD
OVH	METAL OVERHANG FACING	ATAS INTERNATIONAL INC.	RAPID-LOCK FASCIA, CUSTOM EDGE-LON, FASCIA, COLOR: 817 WHITE	SEE A31 FOR DETAILS. ALTERNATE: PETERSEN PAC CLAD
OVH2	HP ROOF FASCIA	ATAS INTERNATIONAL INC.	BRASS METAL, COLOR: 802 BONE WHITE	SEE A31 FOR DETAILS. ALTERNATE: PETERSEN PAC CLAD

ARCHITECTURAL - EXTERIOR FINISH SCHEDULE				
SYMBOL	MATERIAL	MANUFACTURER	COLOR	NOTES
PAR	ALUMINUM PARAPET CAP	ATAS INTERNATIONAL INC.	COLOR TO MATCH ADJACENT TRIM	ALTERNATE: PETERSEN PAC CLAD
PBS	PRE-FINISHED ALUMINUM BAHAMA SHUTTER	PIONEER ARCHITECTURAL SYSTEMS	COLOR TO MATCH ADJACENT TRIM	SHUTTER PER SPECS. CONTACT (801) 506-6667
PVCT	ADJUST TRIM	AZEK	WHITE FINISH: SMOOTH	PRE-FINISHED. ALTERNATE: PAINT
RC2	METAL ROOFING	ATAS INTERNATIONAL INC.	1/2" X 2" WHITE FINISH: SMOOTH	COORDINATE WITH CURB FOR CONNECTION TO STORM SEWER. SEE DETAIL 14A & 14B7. ALTERNATE: PETERSEN PAC CLAD
RSF	STANDING SEAM ROOF HP CAP	ATAS INTERNATIONAL INC.	MEDICAL DUTCH (SEAM) 1/2" X 1/2" 1922' COLOR: 222 COPPERSTONE	ALTERNATE: PETERSEN PAC CLAD
RSUP	ROOF SUPPORT & PLATE	ATAS INTERNATIONAL INC.	TO MATCH METAL ROOFING	
SCJ	STUCCO CONTROL JOINT - 3/4" WIDE			ALTERNATE: PETERSEN PAC CLAD
SOFF	IMPOST: SOLID AND VENTED	ATAS INTERNATIONAL INC.	BONE WHITE	BUILDING OVERHANGS. ALTERNATE: PETERSEN PAC CLAD
SPAN	SPANNING GLASS: 1" INSULATED TEMPERED	VEKA/VE	TURKISH BROWN	FRIT TO BE ON INSIDE OF PANEL.
STN1	MANUFACTURED STONE VENEER	BORAL	SOUTHWEST BLEND PF-8019, PROFIT LEDGESTONE	
STN2	PRE-CAST MANUFACTURED STONE WATER TABLE SILL	BORAL	TALPE CV3 1375	
STN5	PRE-CAST STONE BARR	ITALIAN CAST STONE	1/4" X 6" X 48" LENGTHS, COLOR: 102-LIS-WAWA-SABA FINISH: LIGHT SMOOTH - MAINTAIN CONSISTENT COLOR THROUGHOUT PROJECT	VERTICAL GROUT JOINTS: 3/16" MAX. WIDTH. GROUT WITH BONSAL #1 WARM MORTAR. SEE DETAIL 18A7. ALTERNATE: QUALITY STONE VENEER, INC. SEE SPECIFICATIONS. VERTICAL GROUT JOINTS: 3/16" MAX. WIDTH. GROUT WITH BONSAL #1 WARM MORTAR.
STN6	PRE-CAST STONE CAP	ITALIAN CAST STONE	COLOR: WHITE	SEE SHEET A10. GROUT JOINTS: 3/16" MAX. WIDTH. COLOR: WHITE. (TO MATCH STONE CAP)
STOR	STURDIPANT SYSTEM	HANESER	CLEAR ANODIZED	
STU1	STUCCO	GENEVEY	#386 MERRISQUE FINISH: BAHAMA	SEE SPECIFICATIONS.
STU2	STUCCO	GENEVEY	#354 STARK WHITE FINISH: SPICE	SEE SPECIFICATIONS.
TR	TRIM	PPG	SOLARGLAZ VLT. SEE SPECS	SEE SPECIFICATIONS.
TR	TRIM	PPG	36" X 48" ACCESS HATCH	REFER TO DOOR SCHEDULE, SHEET A1

LDLINE.COM

Wawa F85FB 2017.01 STORE #5254-0KE
280 WEST BALTIMORE PIKE
WAWA, PENNSYLVANIA 19083

EXTERIOR ELEVATIONS

A4

PROJECT NAME: WAWA
PROJECT NUMBER: 280 WEST BALTIMORE PIKE
PROJECT ADDRESS: WAWA, PENNSYLVANIA 19083

DATE: 08/30/2017
DRAWN: J. J. J. J.
CHECKED: J. J. J. J.

Scale: 1/8" = 1'-0"

Client: Wawa
Architect: LDLINE.COM
Engineer: J. J. J. J.