

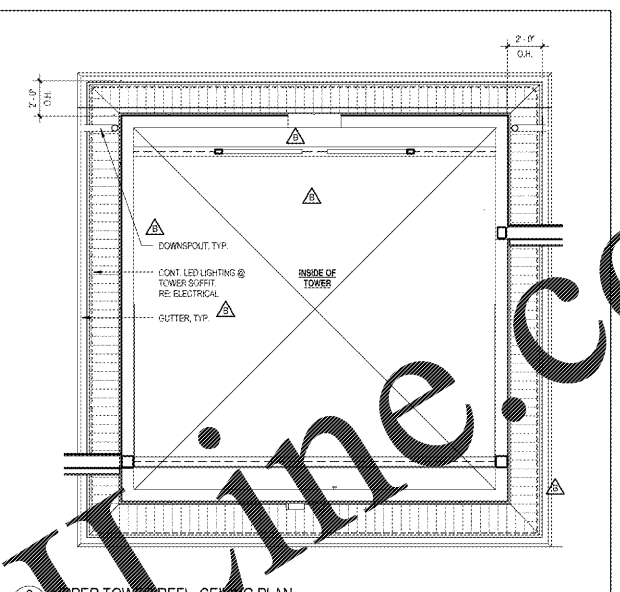
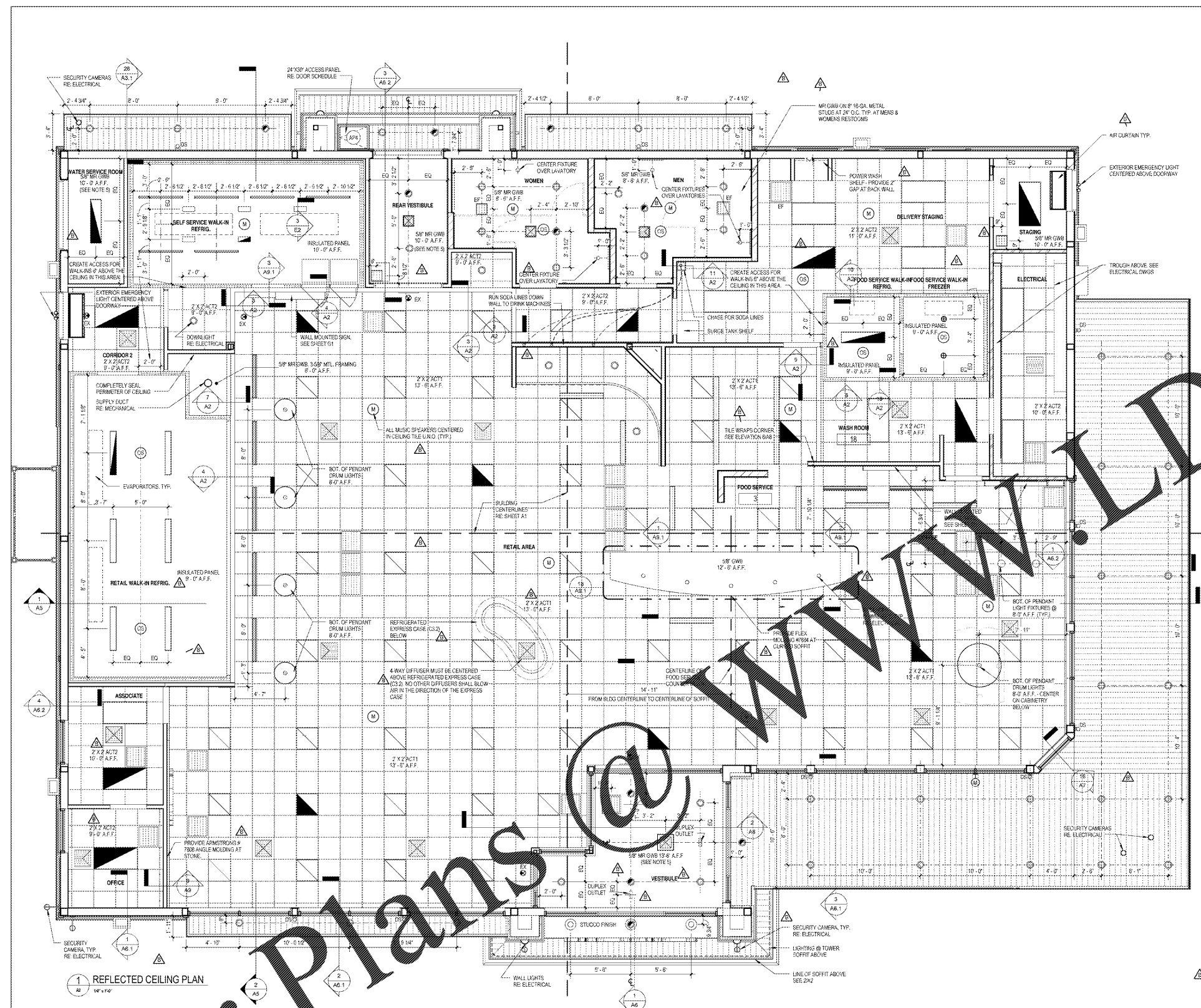
CLIENT NAME  
**WAWA**  
 280 WEST BALTIMORE PIKE  
 WAWA, PENNSYLVANIA 19083

PROJECT NAME  
**WAWA F85FB 2017.01 STORE #5254-0KE**  
 OKEECHOBEE RD & JENKINS RD.  
 FT. PIERCE, FLORIDA

SHEET TITLE  
**REFLECTED CEILING PLAN**

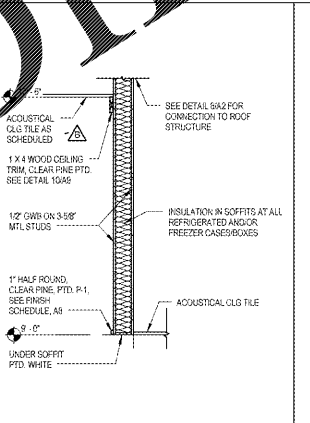
PROJECT NO.	210503	DATE	08/30/17	BY	JP/ED	REVISION SET	07/26/2017	NO.	08/30/2017	BY	JP/ED
DESCRIPTION		DATE		BY		NO.		DESCRIPTION		DATE	

A2

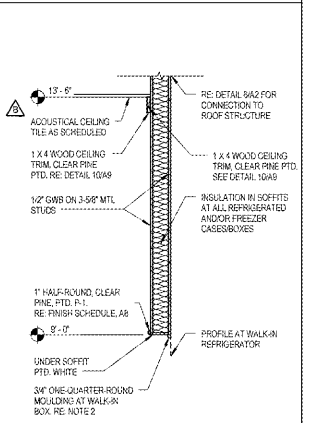


1 REFLECTED CEILING PLAN  
 14' x 14'

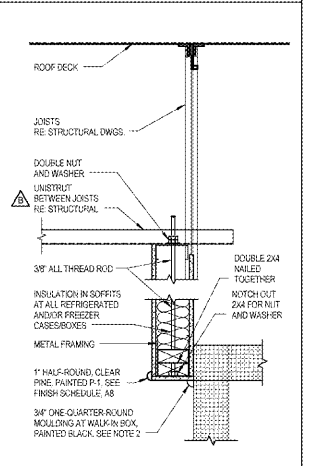
2 UPPER TOWER REFL. CEILING PLAN



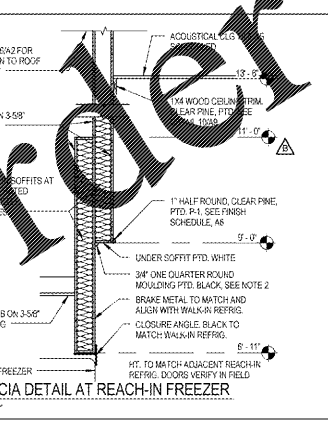
3 FASCIA DETAIL  
 5' x 10'



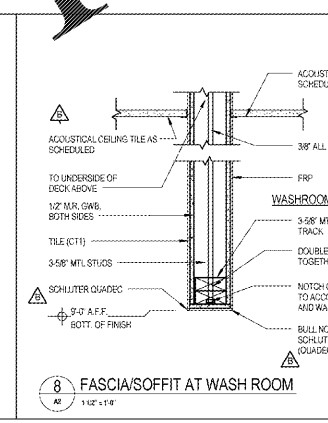
4 FASCIA/SOFFIT AT REF CASES  
 5' x 10'



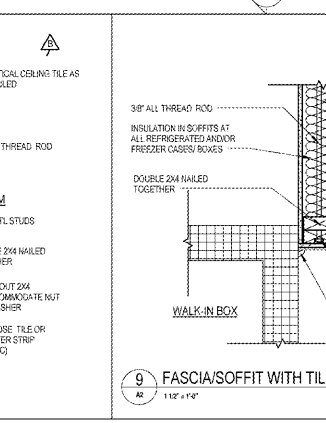
6 SOFFIT CONNECTION TO ROOF STRUCTURE  
 11' x 11'



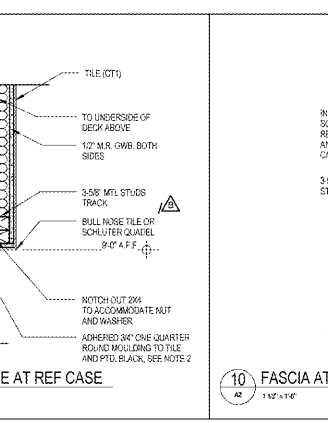
7 FASCIA DETAIL AT REACH-IN FREEZER  
 5' x 10'



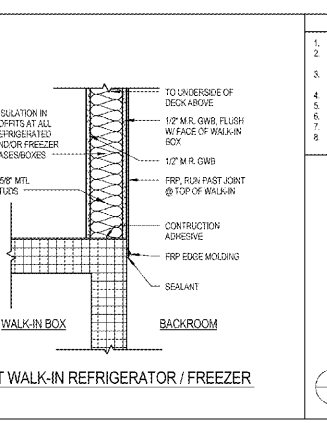
8 FASCIA/SOFFIT AT WASH ROOM  
 11' x 11'



9 FASCIA/SOFFIT WITH TILE AT REF CASE  
 11' x 11'



10 FASCIA AT WALK-IN REFRIGERATOR / FREEZER  
 11' x 11'



11 SODA CHASE DETAIL  
 11' x 11'

**GENERAL NOTES**

- REFER TO SHEET "E2" FOR LIGHTING INFORMATION.
- C.C. SHALL INSTALL 3/4" R.O.U.N.D. M.O.U.L.D.I.N.G. TO C.O.M.P.L.E.T.E.L.Y. S.E.A.L. T.H.E. G.A.P. B.E.T.W.E.E.N. T.H.E. S.O.F.F.I.T. W.A.L.L. A.N.D. W.A.L.K-I.N. R.E.F.R.I.G.E.R.A.T.O.R. P.A.I.N.T. M.O.U.L.D.I.N.G. O.C.H.R. B.L.A.C.K.
- G.C. S.H.A.L.L. P.R.O.V.I.D.E. B.A.T.T. I.N.S.U.L.A.T.I.O.N. T.O. F.I.L.L. S.O.F.F.I.T. A.L.O.N.G. E.N.T.I.R.E. A.R.E.A. I.N. C.O.N.T.A.C.T. W.I.T.H. W.A.L.K-I.N. R.E.F.R.I.G.E.R.A.T.O.R. O.R. F.R.E.E.Z.E.R.
- A.N.Y. E.X.P.O.S.E.D. G.W.B. C.A.S.E.S. S.H.A.L.L. B.E. P.A.I.N.T.E.D. O.C.H.R. W.H.I.T.E.
- G.W.B. C.E.L.I.N.G. C.O.N.S.T.R.U.C.T.I.O.N.: 8" 16 G.A. M.E.T.A.L. S.T.U.D.S. @ 24" O.C. I.N.S.U.L.A.T.E.D. U.I.N.O.
- R.E.F.E.R. T.O. S.H.E.E.T. "M1" F.O.R. A.C. O.U.T.L.E.T. M.A.N.U.F.A.C.T.U.R.E.R.'S I.N.S.T.R.U.C.T.I.O.N. A.N.D. S.P.E.C.I.F.I.C.A.T.I.O.N.S.
- N.O. A.C.C.E.S.S. P.A.N.E.L.S. I.N. F.R.E.E.Z.E.R.S.
- R.E.F.E.R. T.O. I.N.T.E.R.I.O.R. F.I.N.I.S.H. S.C.H.E.D.U.L.E, S.H.E.E.T. A8 F.O.R. C.E.L.I.N.G. S.P.E.C.I.F.I.C.A.T.I.O.N.S.

