

THOMAS

SIGN & AWNING CO INC

4590 118TH Avenue North
Clearwater, Florida 33762

800-526-3325

www.thomassign.com

CLIENT

WAWA

Design Number:
57211 E PROD PUMP NUM

Installation Address:

SR 70 (Okeechobee) & Jenkins
Fort Pierce, FL

Project Identity Number:

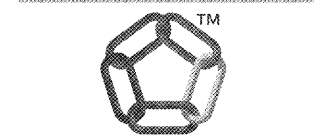
Sales Associate: Project Team:

TSA Brynn

Designer: Date:

SLD 09-09-15

Project Updates:



3M™ MCS™ Warranty

UL Underwriters Laboratories Inc.
LISTING E89514
ELECTRIC SIGN
COMPLIES TO UL 48

THIS ARTICLE IS INTENDED TO BE INSTALLED IN ACCORDANCE WITH THE REQUIREMENTS OF ARTICLE 600 OF THE NATIONAL ELECTRICAL CODE AND/OR OTHER APPLICABLE LOCAL CODES. THIS INCLUDES PROPER GROUNDING AND BONDING OF THE SIGN.

Approval:

Approved
DATE: _____

Approved as noted
DATE: _____

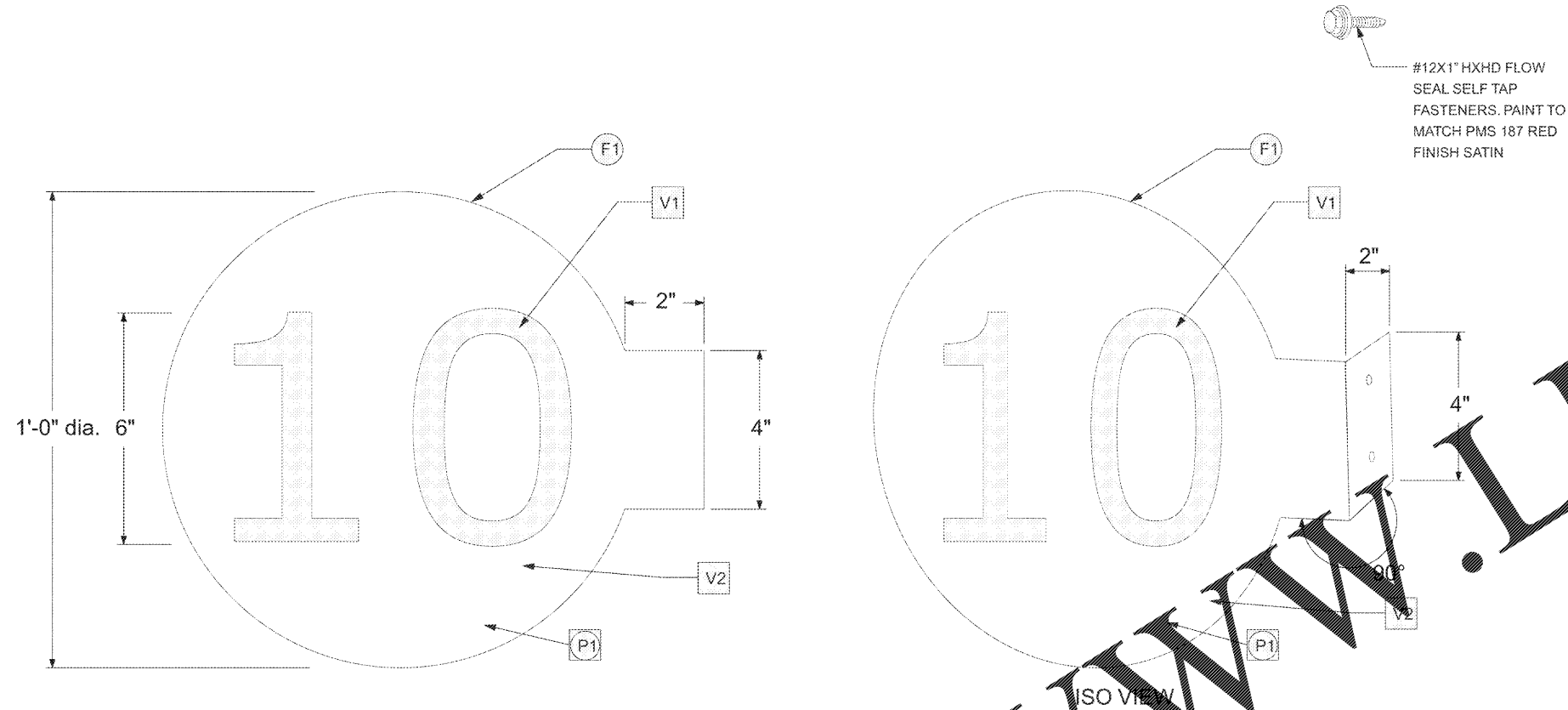
Revise & Re-Submit
DATE: _____

The designs, concepts, drawings and specifications provided are the exclusive property of Thomas Sign & Awning Company and may not be reproduced in any way, shape or fashion without the express written permission of Thomas Sign & Awning Co.

Page Sheet

6 6 of 7

Local: 727-573-7757
Fax: 727-573-0328



#12X1" HXHD FLOW SEAL SELF TAP FASTENERS. PAINT TO MATCH PMS 187 RED FINISH SATIN

- F1 FABRICATION NOTES
- V1 VINYL COLORS
- P1 PAINT NOTES
- E1 ELECTRICAL NOTES

OPTION #1

TOTAL SQFT = 1.0'

PART # WAWABS1X1NI2A

ESTIMATE # 108942

Gas Pump Numerical Indicator

- 1) .125" ALUMINUM SHEET W/ 90 DEG. BREAKFORMED MOUNTING TAB
- 2) #12X1" HXHD FLOW SEAL SELF TAP FASTENERS INTO PRE-DRILLED HOLES. PAINT TO MATCH PMS 187 RED/FINISH SATIN

Fonts Used

- 1) VERDANA REGULAR
- 2) X

Akzo Nobel Paint Colors

- 1) TO MATCH PMS #187 RED - GLOSS (BOTH SIDES / RETURNS)
- 2) X

Vinyl Colors

- 1) 3M #180C -10 WHITE OPAQUE (1ST SURFACE - 2 SIDED)
- 2) 3M CLEAR GPS COAT UJ8150

OPTION #2

TOTAL SQFT = 1.0'

PART # WAWABS1X1NI2B

ESTIMATE # 108946

Gas Pump Numerical Indicator

- 1) .090" ALUMINUM SHEET W/ 90 DEG. BREAKFORMED MOUNTING TAB
- 2) X

Fonts Used

- 1) VERDANA REGULAR
- 2) X

Akzo Nobel Paint Colors

- 1) TO MATCH PMS #187 RED - GLOSS (BOTH SIDES / RETURNS)
- 2) X

Vinyl Colors

- 1) 3M #180C -10 WHITE OPAQUE (1ST SURFACE - 2 SIDED)
- 2) X

OPTION #3

TOTAL SQFT = 1.0'

PART # WAWABS1X1NI2C

ESTIMATE # 108947

Gas Pump Numerical Indicator

- 1) .063" ALUMINUM SHEET W/ 90 DEG. BREAKFORMED MOUNTING TAB
- 2) X

Fonts Used

- 1) VERDANA REGULAR
- 2) X

Akzo Nobel Paint Colors

- 1) TO MATCH PMS #187 RED - GLOSS (BOTH SIDES / RETURNS)
- 2) X

Vinyl Colors

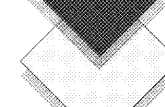
- 1) 3M #180C -10 WHITE OPAQUE (1ST SURFACE - 2 SIDED)
- 2) X

D Double Sided Pump Indicator Sign - Numbers 1-16

Font Used: Verdana Regular

SCALE: 3" = 1'-0"
Qty. 16

 To Match PMS #187 Red - Gloss

 3M #180C - 10 White Vinyl

 Color Key

Order Plans @

WWW.LDILLING.COM