

THOMAS

SIGN & AWNING CO INC

4590 118TH Avenue North
Clearwater, Florida 33762

800-526-3325

www.thomassign.com

CLIENT

WAWA

Design Number:
57211 D ELEV CL 2-11

Installation Address:
SR 70 (Okeechobee) & Jenkins
Fort Pierce, FL

Project Identity Number:
65255

Sales Associate: Project Team

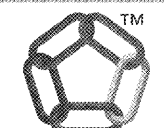
TSA Brynn

Designer: Date:

SLD 09-09-15

Project Updates:

Revision 1:



3M™ MCS™ Warranty

UL Underwriters
Laboratories Inc.
LISTING E89514
ELECTRIC SIGN
COMPLIES TO UL 48

THIS ARTICLE IS INTENDED TO BE INSTALLED IN ACCORDANCE WITH THE REQUIREMENTS OF ARTICLE 609 OF THE NATIONAL ELECTRICAL CODE AND/OR OTHER APPLICABLE LOCAL CODES. THIS INCLUDES PROPER GROUNDING AND BONDING OF THE SIGN.

Approval:

Approved
DATE:

Approved as noted
DATE:

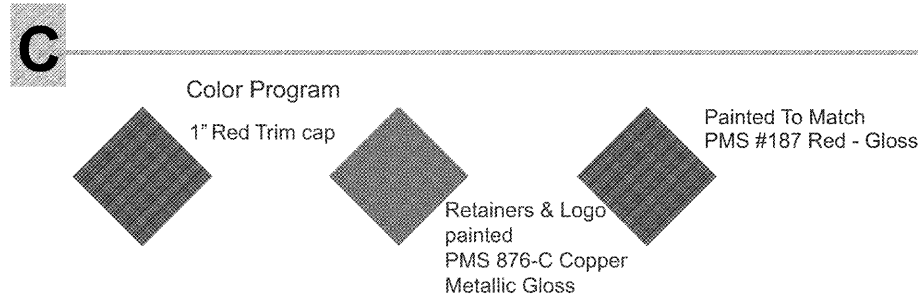
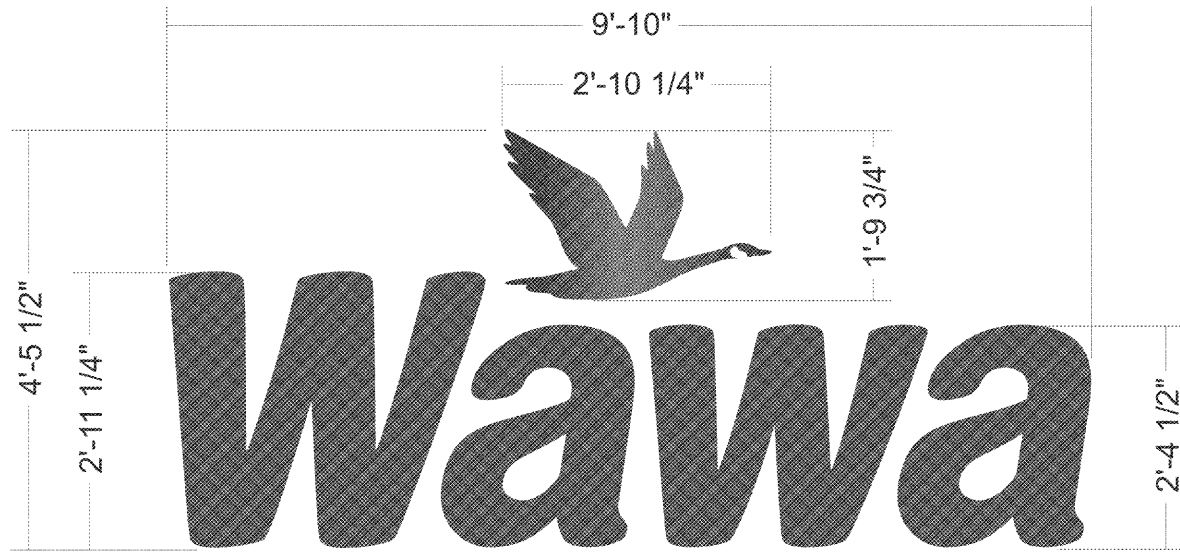
Revise & Re-Submit
DATE:

The designs, concepts, drawings and specifications provided are the exclusive property of Thomas Sign & Awning Company and may not be reproduced in any way, shape or fashion without the express written permission of Thomas Sign & Awning Co.

Page Sheet

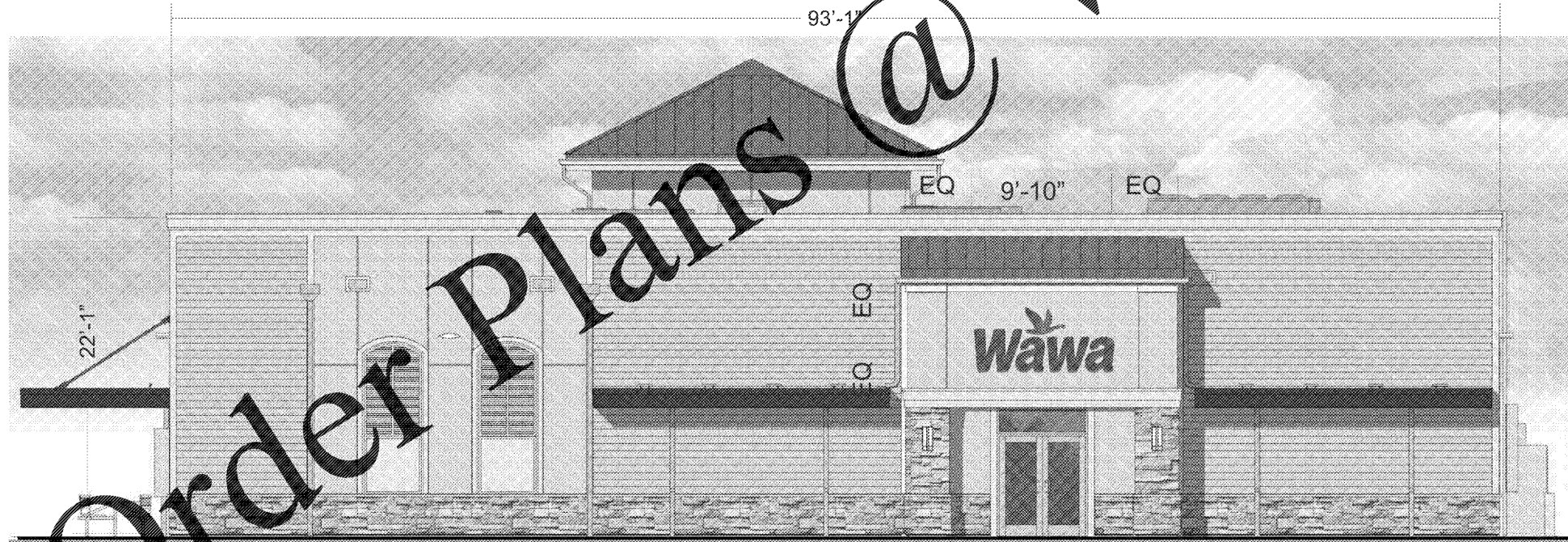
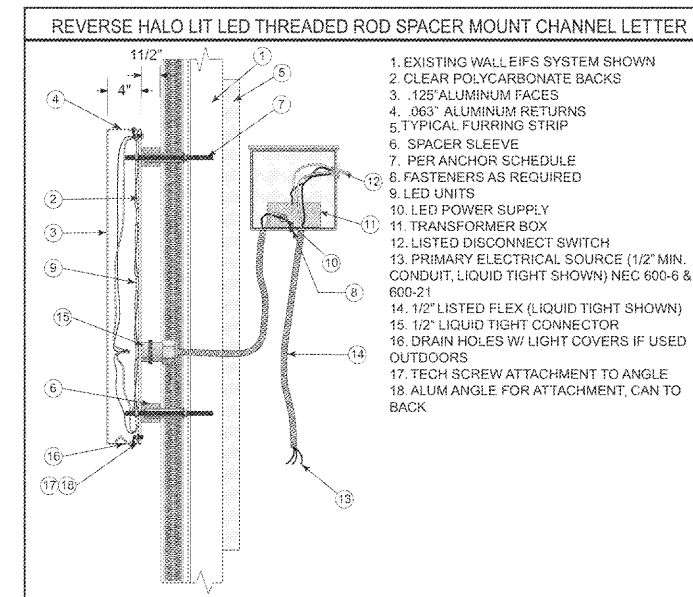
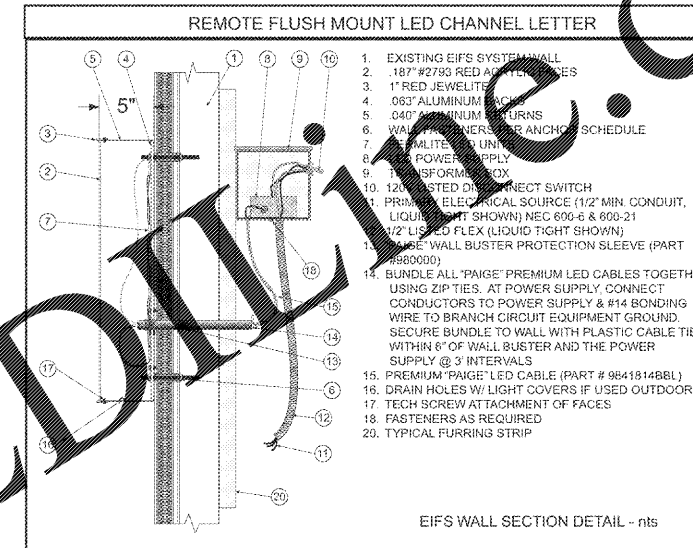
5 5 of 7

Local: 727-573-7757
Fax: 727-573-0328



SCALE: 1/2" = 1'-0"
SQFT: 43.83'

WWW.LDLINE.COM



Proposed Rear Elevation

SCALE: 3/32" = 1'-0"