

REV	DATE	COMMENT	BY
1	8/9/2016	PER CITY COMMENTS	SMT
2	10/20/2016	REVISIONS PER SFWM COMMENTS	SMT
3	4/10/2017	PER FOOT AND SFWM COMMENTS	DJE
4	4/24/2017	PER CITY OF FORT PIERCE COMMENTS	SJM
5	5/12/2017	PER CITY OF FORT PIERCE COMMENTS	SJM
6	6/21/2017	PER FOOT COMMENTS	SJM
7	7/14/2017	PER FOOT COMMENTS	SJM

811 KNOW WHAT'S BELOW ALWAYS CALL 811 BEFORE YOU DIG
 www.callsunshine.com

APPROVED FOR CONSTRUCTION

PROJECT NO: FLB15009
 DRAWN BY: DJE
 CHECKED BY: CR
 DATE: 06/24/16
 SCALE:
 CAD ID: S03

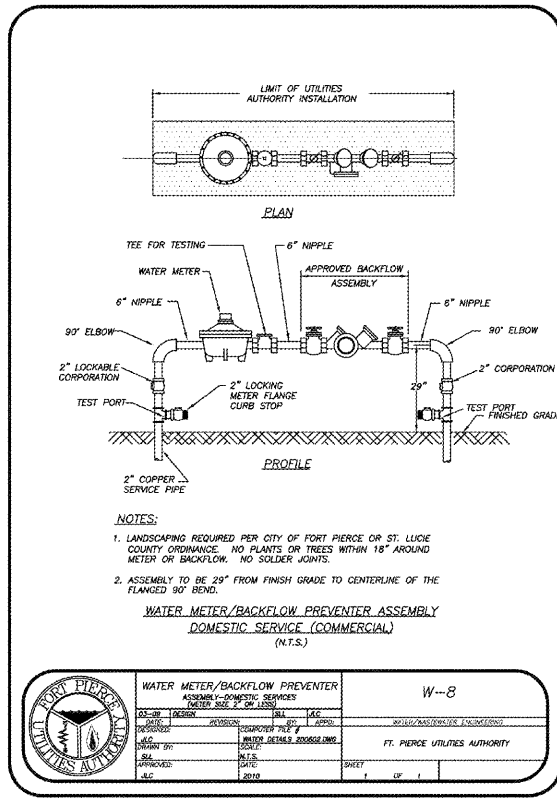
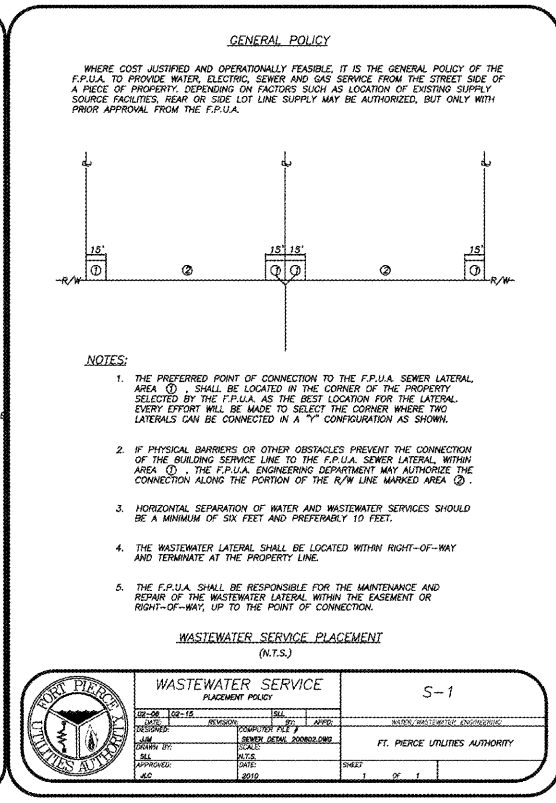
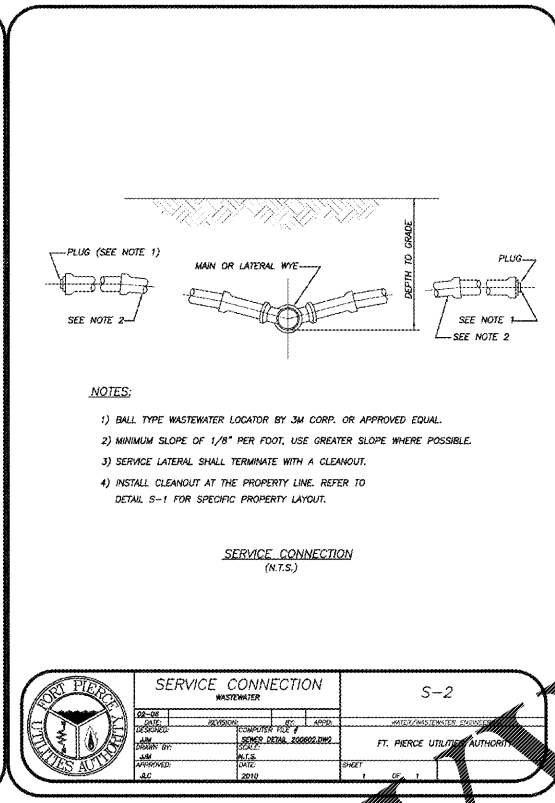
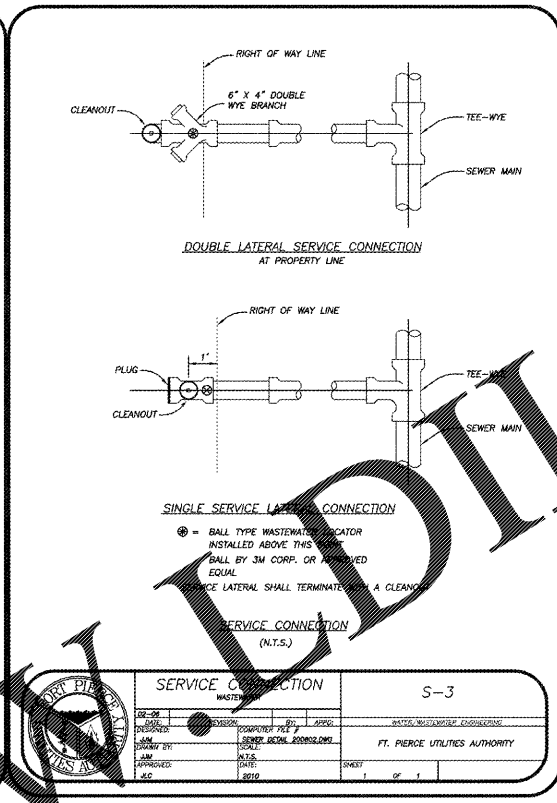
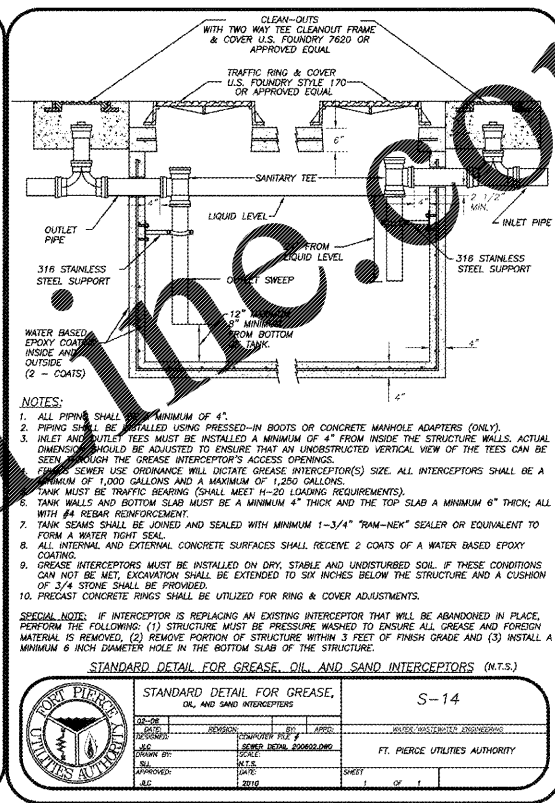
PROJECT: **SR 70 AND JENKINS FOR WAWA**

LOCATION OF SITE: **SEC SR 70 & JENKINS RD FORT PIERCE, FLORIDA**

BOHLER ENGINEERING
 2255 GLADES ROAD, SUITE 303E
 BOCA RATON, FLORIDA 33431
 Phone: (561) 571-0281
 Fax: (561) 571-0281
 WWW: WWW.BOHLENERG.COM

SHEET TITLE: **CONSTRUCTION DETAILS**

SHEET NUMBER: **D-7**



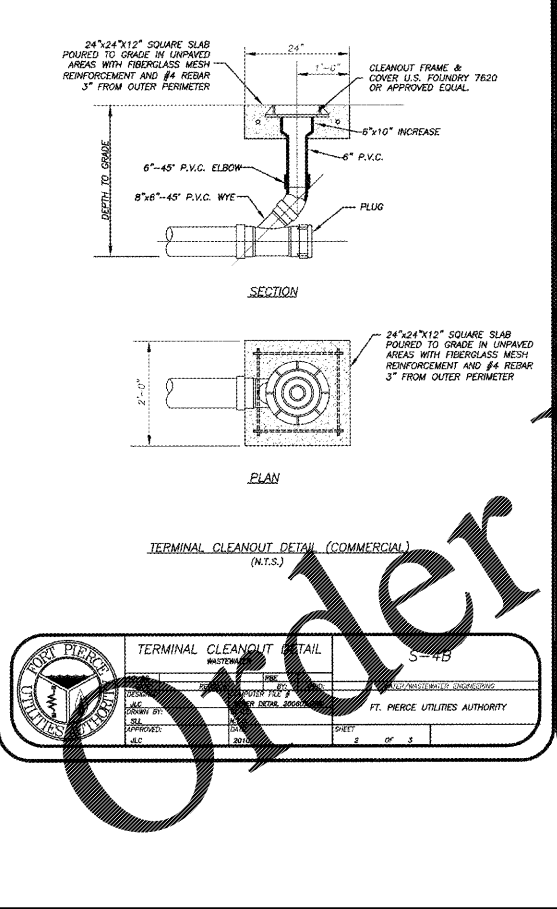
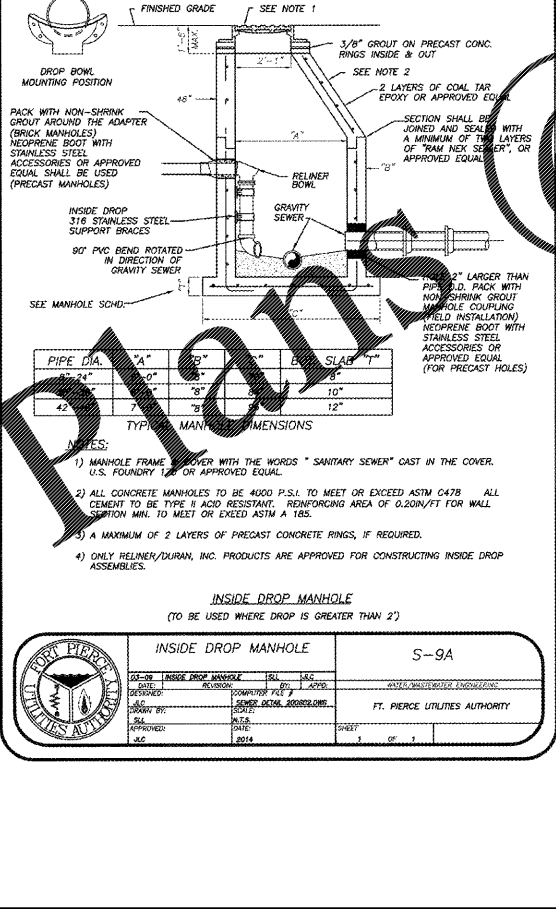
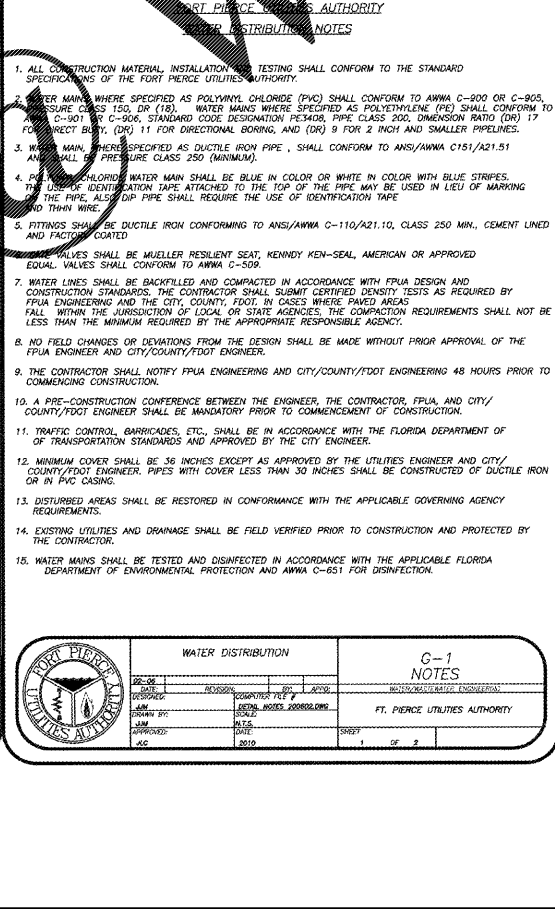
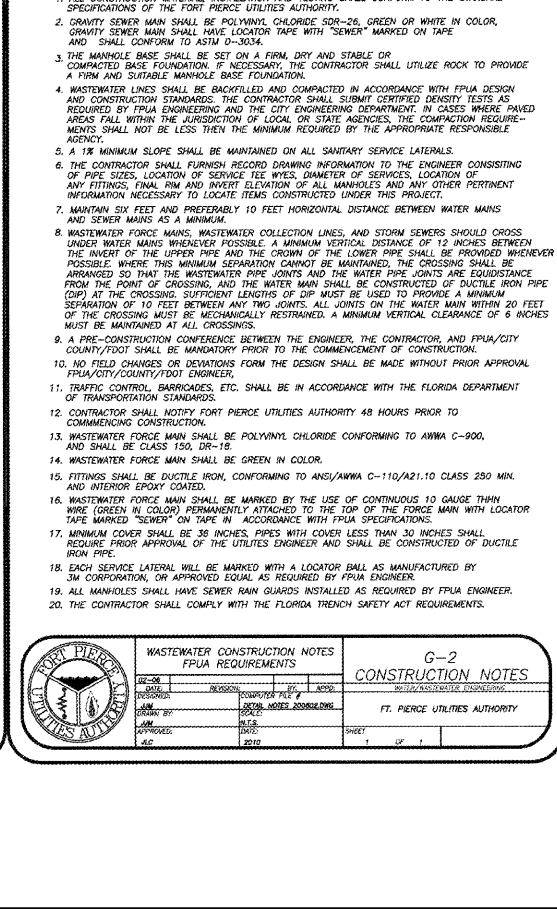
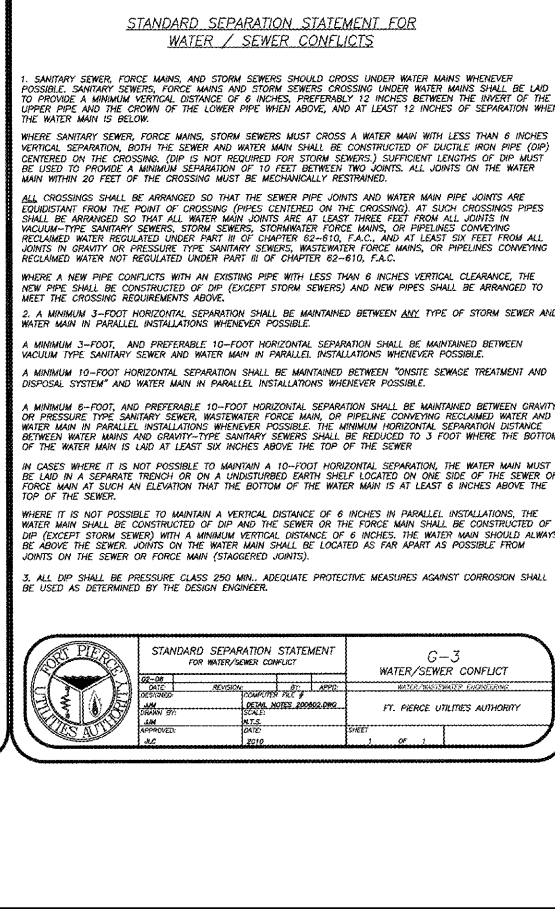
DATE	REVISION	BY	APPROVED
06/24/16	01	DJE	CR

DATE	REVISION	BY	APPROVED
06/24/16	01	DJE	CR

DATE	REVISION	BY	APPROVED
06/24/16	01	DJE	CR

DATE	REVISION	BY	APPROVED
06/24/16	01	DJE	CR

DATE	REVISION	BY	APPROVED
06/24/16	01	DJE	CR



DATE	REVISION	BY	APPROVED
06/24/16	01	DJE	CR

DATE	REVISION	BY	APPROVED
06/24/16	01	DJE	CR

DATE	REVISION	BY	APPROVED
06/24/16	01	DJE	CR

DATE	REVISION	BY	APPROVED
06/24/16	01	DJE	CR

DATE	REVISION	BY	APPROVED
06/24/16	01	DJE	CR