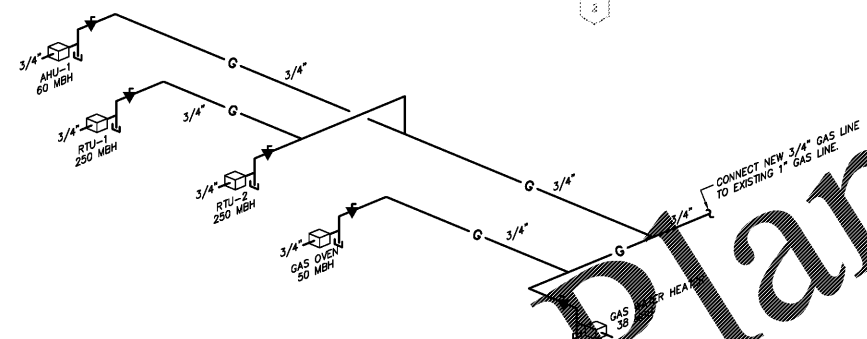
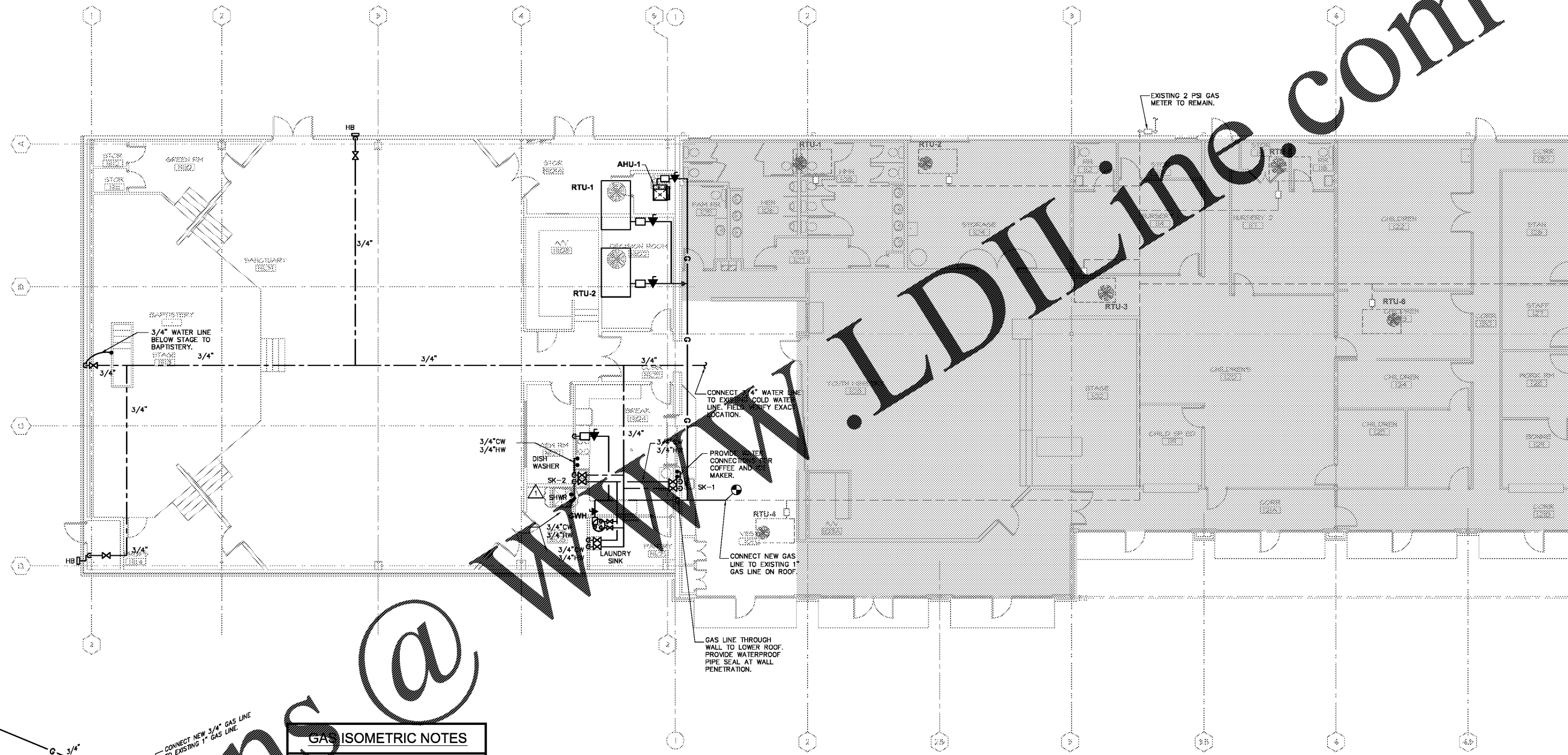


Γ

www.LDILine.com



**GAS ISOMETRIC NOTES**

EXISTING:  
 2.0 PSI REGULATOR  
 TOTAL RUN = 190'  
 TOTAL BTU = 1,000,000 BTUH

NEW:  
 2.0 PSI REGULATOR  
 TOTAL RUN = 200'  
 TOTAL BTU = 1,648,000 BTUH

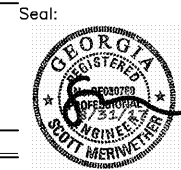
THE TOTAL LENGTH OF THE SYSTEM INCREASED FOR 10 FT. THE TOTAL LOAD INCREASED FOR 648 MBH. EXISTING METER AND PIPING LAYOUT IS PROPERLY SIZED FOR NEW SCOPE OF WORK.

1 DOMESTIC WATER PLAN  
 P3.1 1/8"=1'-0"

Order Plans @

Project Title:  
 ADDITION TO CANVAS CHURCH  
 3560 BROWN'S BRIDGE ROAD  
 CUMMING, GA 30028

Drawing Title:  
 DOMESTIC WATER PLANS



PROMUS  
 SCOTT MERIWETHER, P.E.  
 GEORGIA LICENSE #30780  
 518 BLACK CANYON PARK  
 CANTON, GA 30114  
 PROJECT MANAGER: SCOTT MERIWETHER  
 PHONE 678.246.5166

**Impact**  
 DESIGN-BUILD  
 Contractors

**PH&A**  
 Patrick Higgins  
 & Assoc.  
 ARCHITECTS

Revisions	REVISION/COMMENTS
0-31-17	1

These drawings are instruments of the Architect's service for use solely with respect to this project. These drawings shall not be used by the Owner or others on other projects, additions to this project or completion of this project by others except by written agreement.

Project No: P3.1  
 Copyright © 2017, PH&A Sheet of

L