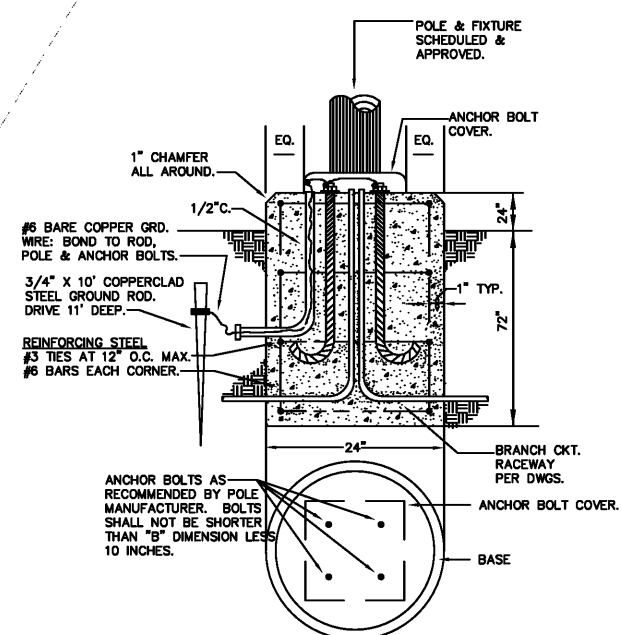


Order Plans @ WAINC

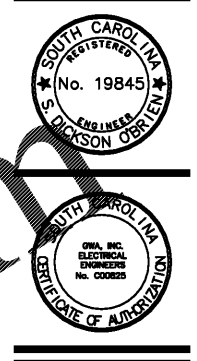


100 YEAR FLOODPLAIN (100 YR AE)  
PER FLOOD INSURANCE RATE  
MAP PANEL D, FM44073403K,  
DATE: FEBRUER 28, 2008

**ELECTRICAL SITE PLAN**  
SCALE: 1/8" = 1'-0"

SEE "NOTES TO UNDERGROUND ELECTRICAL WORK", SHEET E003.

Pricing set only - NOT FOR CONSTRUCTION



**McCready/Snow Architects, PA**  
Architects and Planners  
1000 Parkside Blvd., Suite 200  
Columbia, SC 29204  
(803) 733-7700  
www.mccready-snow.com

**Electrical Site Plan**  
Pinewood Community Bldg.  
Richland County  
Old Garners Ferry Road  
Columbia, SC 29209

GWA:16-3146

**GWA**  
inc.  
Electrical Engineers

Midlands Office - Main  
168 Laurelhurst Avenue  
Columbia, SC 29210  
(803)252-6919  
Fax (803)799-5494  
gwa@gwainc.net  
http://www.gwainc.net

Drawn: - MRD/CJA Checked: - SDO  
Revised: -  
Project No. - #####  
File: -

**ES01**  
Sheet Number  
August 22, 2017  
Date