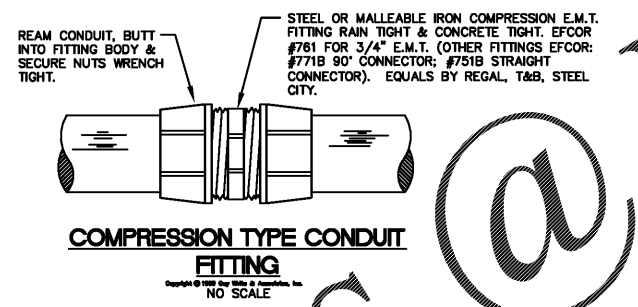
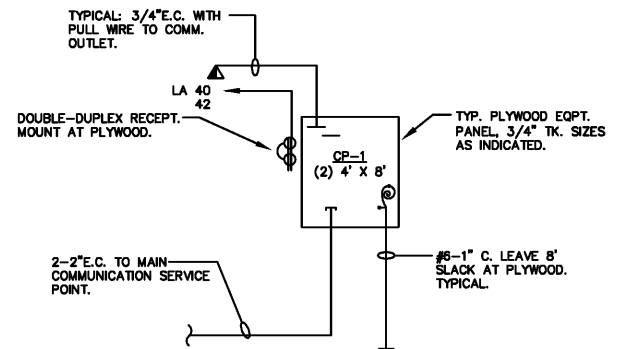
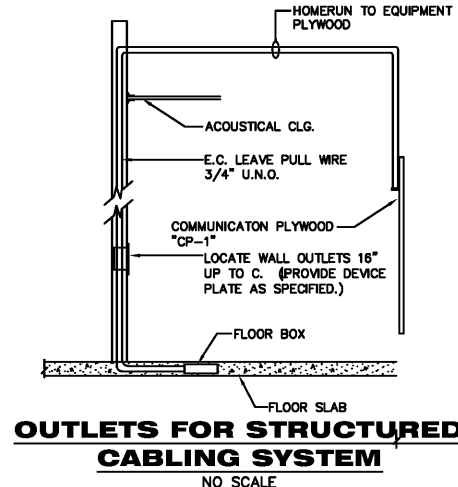


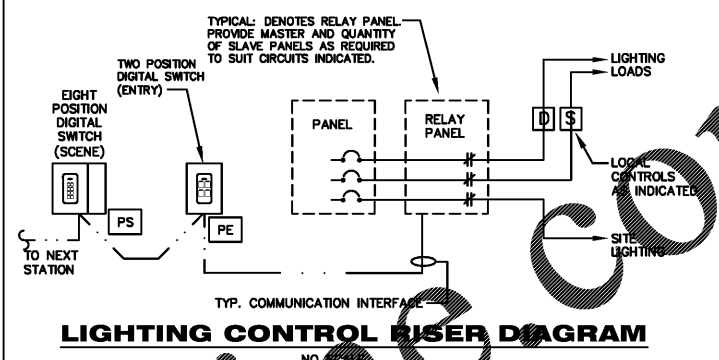
SYMBOL	AMP	POLES
S-1	30	2
S-2	30	3
S-3	30	4WSN
S-4	60	2
S-5	60	3
S-6	60	4WSN
S-7	100	2
S-8	100	3
S-9	100	4WSN
S-10	200	2
S-11	200	3
S-12	200	4WSN
S-13	400	2
S-14	400	3
S-15	400	4WSN
S-16	600	2
S-17	600	3
S-18	600	4WSN
S-19	800	2
S-20	800	3
S-21	800	4WSN
S-22	1200	2
S-23	1200	3
S-24	1200	4WSN

- NOTES TO THIS DETAIL
- ALL SWITCHES SHALL BE HEAVY DUTY TYPE, FED. SPEC. W-5-885, U.L. 98, NEMA KS-1975; 240 V. OR 600 V. TO SUIT CIRCUIT VOLTAGE. QUICK MAKE-QUICK BREAK OPERATION
 - ALL SWITCHES FUSIBLE UNLESS NOTED ON DRAWINGS. PROVIDE FUSES TO SUIT LOAD.
 - ENCLOSURES NEMA 3R OUTDOORS AND IN WET LOCATIONS, NEMA 1 ELSEWHERE UNLESS NOTED ON DRAWINGS.
 - PROVIDE ENGRAVED LABELS AS SPECIFIED.

SAFETY SWITCH DETAIL AND SCHEDULE
NO SCALE



- NOTES TO LIGHTING CONTROL RISER DIAGRAM**
- ALL RELAY PANELS SHALL BE NETWORKED TOGETHER TO FORM A SEAMLESS, INTEGRATED SYSTEM. INCLUDE ALL INTERCONNECTION WIRING, CARDS, PROGRAMMING AND ASSOCIATED WORK COMPLETE.
 - ALL LIGHTING CIRCUITS SHALL BE ROUTED THROUGH RELAY PANELS. QUANTITY AND LOCATION OF ALL PANELS ARE NOT INDICATED ON PLAN FOR CLARITY. PROVIDE RELAYS TO SUIT CIRCUITS INDICATED, INCLUDING SPARES FOR FUTURE USE. PROVIDE ADDITIONAL HOT (CONTACTOR BYPASS) CONDUCTORS IN CIRCUITS AS REQUIRED FOR APPLICATION.
 - SUBMIT JOB SPECIFIC SHOP DRAWINGS INDICATED EQUIPMENT LOCATIONS, SCHEDULES, SINGLE LINE DRAWINGS AND ALL REQUIRED RACEWAY AND CONDUCTOR REQUIREMENTS.
 - CONDUIT AND CONDUCTORS FOR CONTROL WIRING ARE INDICATED FOR GENERAL REFERENCE ONLY. CONTRACTOR SHALL PROVIDE ALL CONTROL AND INTERLOCK WIRING COMPLETE AS REQUIRED TO SUIT LIGHTING CONTROL SYSTEM FURNISHED.
 - CONTRACTOR SHALL CAREFULLY EXAMINE PLANS AND PROVIDE A COMPLETE AND OPERABLE LIGHTING CONTROL SYSTEM FOR ALL LIGHTING INDICATED. PROVIDE ALL RELAY CABINETS, CONTROLLERS, SENTRY SWITCHES, INPUT DEVICES, SOFTWARE, PROGRAMMING AND THE LIKE AS REQUIRED.
 - FOR CIRCUITS INDICATED AS DIMMING TYPE, PROVIDE 0-10V DIMMER MODULE IN CONTROL PANEL, DIMMING POWER SUPPLY AND ALL ASSOCIATED CONTROL WIRING.
 - EXTERIOR LIGHTING CIRCUITS SHALL BE CONFIGURED TO ALLOW OPERATING SCHEDULE/PROGRAM INDEPENDENT OF INTERIOR LIGHTING. PROGRAMMING AND SCHEDULING SHALL BE AS DIRECTED BY OWNER.
 - PROVIDE FACTORY SWITCH ENGRAVING FOR DIGITAL SWITCHES. TEXT SHALL BE AS DIRECTED BY OWNER.



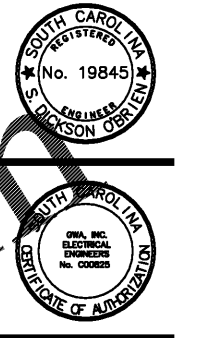
LIGHTING FIXTURE SCHEDULE

SYMBOL	DESCRIPTION	MANUFACTURER	CATALOG NUMBER	VOLTAGE	LAMPS	BALLASTS*	FIXTURE WATTAGE	NOTES
A	2' x 4' LED LAY-IN TROFFER	LITHONIA H.E. WILLIAMS COLUMBIA	ZBLT4-48L-ADP-LP835 EQUAL EQUAL	MVOLT	LED	EZ1 DRIVER BY MFR.	39W	RECESSED-CEILING. CURVED, LINEAR PRISMS.
B	8" OPEN LED DOWNLIGHT	PEACHTREE PRESCOLITE LIGHTOLIER	8BLRD-20-35K-SH EQUAL EQUAL	120V	LED	BY MFR.	25W	RECESSED-CEILING. PROVIDE CEILING ADAPTOR RINGS FOR EACH CEILING TYPE.
C	ARCHITECTURAL PENDANT FIXTURE	BY OWNER	N/A	120V	100W	N/A	300W (MAX)	PROVIDE IN BID \$2500 PER FIXTURE INDICATED.
D	4' UTILITY STRIP	LITHONIA H.E. WILLIAMS COLUMBIA	ZL1D-48-5000LM-FST-480LT-3500WH EQUAL EQUAL	MVOLT	LED	DRIVER BY MFR.	42W	SURFACE-CEILING. PROVIDE WITH WIREGUARD. COORDINATE LOCATION WITH EQUIPMENT LAYOUTS FOR UNIFORM LIGHTING LEVELS.
F	LED COVE LIGHTING	ILUMINO	DL112-330-F	120V	LED	LED DRIVER BY MFR.	96W	COVE MOUNTED-PROVIDE DRIVERS AS REQUIRED FOR LENGTH AS INDICATED.
H	4' WALL BRACKET FIXTURE	LITHONIA H.E. WILLIAMS COLUMBIA	WL4-48-SLD-LP835 EQUAL EQUAL	MVOLT	LED	EZ1 BY MFR.	19W	SURFACE-WALL MOUNT ABOVE LAVATORY MIRROR PER GENERAL NOTES. WIRED FOR SINGLE SWITCH AT 100%.
J	EXTERIOR EGRESS LIGHTING	LITHONIA PRESCOLITE LIGHTOLIER	WSR-LED-2-10A700/40K-SR3 PE DDBXD EQUAL EQUAL	120V	LED	BY MFR.	47W	SURFACE-WALL. PROVIDE WITH PHOTOCCELL.
K	2' x 4' LED LAY-IN TROFFER	LITHONIA H.E. WILLIAMS COLUMBIA	2GTL-4-72L-LP835 EQUAL EQUAL	MVOLT	LED	BY MFR.	71W	RECESSED-CEILING. #12 PATTERN ACRYLIC, 0.125" THICK. WIRED FOR SINGLE SWITCH AT 100%.
L	PENDANT CYLINDER DOWNLIGHT	LITHONIA H.E. WILLIAMS COLUMBIA	LDN6CYL-40/40-L06-LSS-PM EQUAL EQUAL	MVOLT	LED	EZ10	44W	PENDANT MOUNTED-COLOR AND HEIGHT AS DIRECTED BY ARCHITECT.
SA	SITE LIGHTING FIXTURE ASSEMBLY ROUND STRAIGHT STEEL POLE-100MPH, 1.3 GUST.	LITHONIA	DSX1-LED-60C-1000-50K-T5W POLE:RSS-22-4-58	MVOLT	LED	BY MFR.	210W	SINGLE FIXTURE ASSEMBLY BRACKET. IES TYPE V DISTRIBUTION. POLE AND TRIM FINISH AS DIRECTED BY OWNER. MOUNT AT 24' A.F.G. COMPLY WITH RICHLAND COUNTY ORDINANCE SEC. 26-177.
SB	SITE LIGHTING FIXTURE ASSEMBLY ROUND STRAIGHT STEEL POLE-100MPH, 1.3 GUST.	LITHONIA	DSX1-LED-60C-1000-50K-T3M POLE:RSS-22-4-58	MVOLT	LED	BY MFR.	210W	SINGLE FIXTURE ASSEMBLY BRACKET. IES TYPE III DISTRIBUTION. POLE AND TRIM FINISH AS DIRECTED BY OWNER. MOUNT AT 24' A.F.G. COMPLY WITH RICHLAND COUNTY ORDINANCE SEC. 26-177.
SC	SITE LIGHTING FIXTURE ASSEMBLY ROUND STRAIGHT STEEL POLE-100MPH, 1.3 GUST.	LITHONIA	DSX1-LED-60C-1000-40K-T3M-HS POLE:RSS-22-4-58	208V	LED	BY MFR.	418W	SINGLE FIXTURE ASSEMBLY BRACKET. IES TYPE III DISTRIBUTION W/HOUSE SHIELD. POLE AND TRIM FINISH AS DIRECTED BY OWNER. MOUNT AT 24' A.F.G. COMPLY WITH RICHLAND COUNTY ORDINANCE SEC. 26-177.
⊗	EMERGENCY LED EXIT SIGN	LITHONIA SURELITES PRESCOLITE LIGHTALARMS	LE-S-1/2-R-120/277-ELNSD CX-7-1/2-70-R EDC-1/2-R-EN-BBA GXEWRW	120V	BY MFR.	N/A	12W	EMERGENCY EXIT SIGN, MINIMUM 90-MINUTE RATING. PROVIDE FACES, ARROWS, AND MOUNTING PER PLANS.

- NOTES TO LIGHTING FIXTURE SCHEDULE**
- LOCATE ALL FIXTURES IN STRICT ACCORDANCE WITH ARCHITECTURAL REFLECTED CEILING PLAN.
 - ALL FLUORESCENT FIXTURES SHALL HAVE INSTANT START, ELECTRONIC BALLASTS BY OSRAM-SYLVANIA (OS) AS INDICATED. LAMPS SHALL BE 3500K COLOR TEMPERATURE AND BE BY OSI AS INDICATED. BALLAST AND LAMP EQUALS ACCEPTED BY PRIOR APPROVAL ONLY, SEE SPECIFICATIONS.
 - ALL ELECTRONIC BALLASTS FOR T5 (5/8" DIAMETER) AND SMALLER LAMPS SHALL BE PROVIDED WITH END OF LIFE SHUTDOWN PROTECTION.
 - PROVIDE ALL HALF-SHADED FLUORESCENT FIXTURES WITH EMERGENCY BATTERY UNIT, BODINE #850 OR EQUAL WITH MINIMUM 1100 LUMEN OUTPUT FOR 90 MINUTES. CONNECT COMPLETE TO SWITCH ON-OFF WITH ROOM LIGHTING, AND ON UPON CIRCUIT FAILURE.
 - PROVIDE ALL HALF-SHADED LED FIXTURES WITH EMERGENCY BATTERY UNIT, BODINE IOTA, DUAL-LITE OR EQUAL. BATTERY UNITS SHALL BE DESIGNED AND RATED FOR USE WITH LED LUMINAIRES AND OF APPROPRIATE TYPE AND WATTAGE TO SUIT LED DRIVERS FURNISHED - MINIMUM 90 MINUTE RATING. CONNECT COMPLETE TO SWITCH ON-OFF WITH ROOM/AREA LIGHTING AND ON UPON CIRCUIT FAILURE, REGARDLESS OF SWITCH POSITION.
 - LIGHTING CONTROL PANEL SHALL BE HYBRID RELAY/DIMMING TYPE, BLUE BOX LTD. OR EQUAL BY WATTSTOPPER, HUBBELL OR COOPER.
 - SITE LIGHTING SHALL COMPLY WITH RICHLAND COUNTY LIGHTING ORDINANCE (SECTION 26-177, LIGHTING STANDARDS)

Order Plans

Pricing set only - NOT FOR CONSTRUCTION



McCready/Snow Architects, PA
Architects and Planners
1000 North Main Street, Suite 1000
Columbia, SC 29201
P: 803.733.1100
F: 803.733.1101
www.mccready-snow.com

Electrical Schedules and Details
Pinewood Community Bldg.
Richland County
Old Garners Ferry Road
Columbia, SC 29209

Drawn: - MRD/CJA Checked: - SDO
Revised: -
Project No.: #####
File: -

GWA inc. Electrical Engineers

Midlands Office - Main
168 Laurelhurst Avenue
Columbia, SC 29210
(803)252-6919
Fax (803)799-5494
gwa@gwainc.net
http://www.gwainc.net