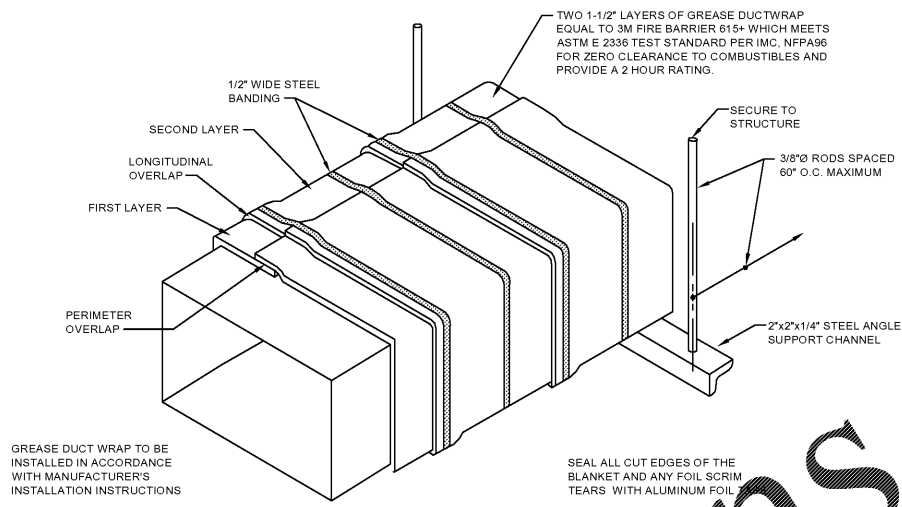
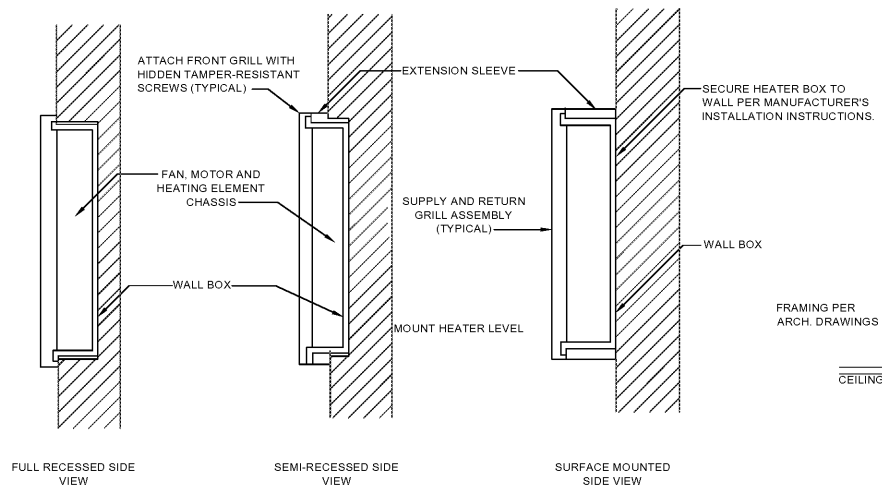


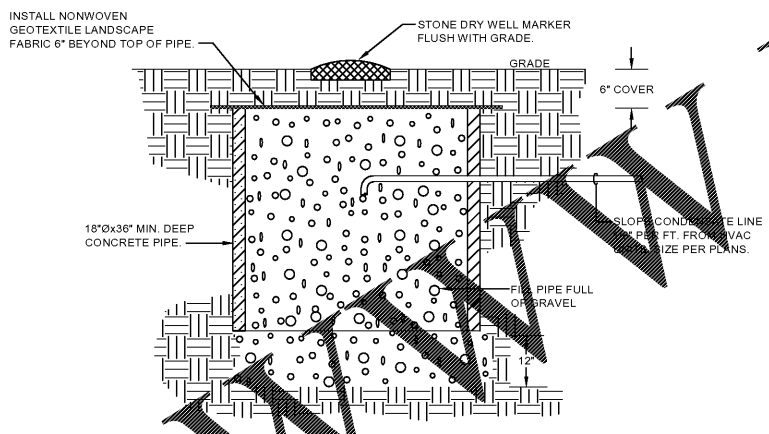
**GREASE DUCT ACCESS DOOR INSULATION DETAIL**  
NO SCALE



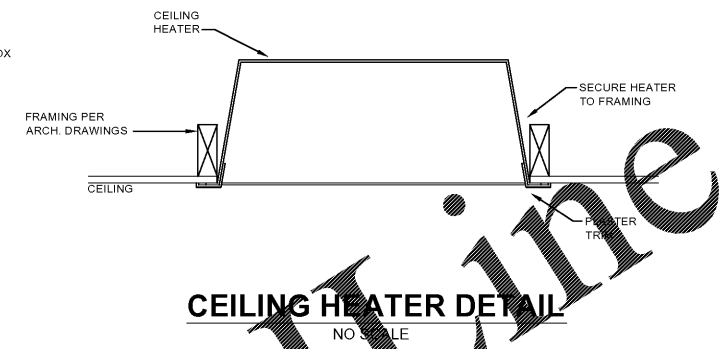
**GREASE DUCT INSULATION DETAIL**  
NO SCALE



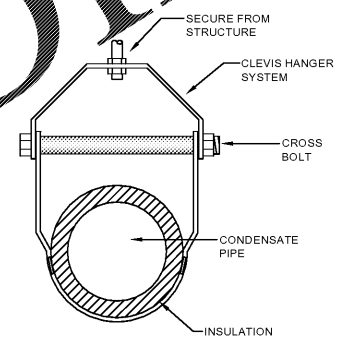
**ELECTRIC WALL HEATER DETAIL**  
NO SCALE



**DRY WELL DETAIL**  
NO SCALE



**CEILING HEATER DETAIL**  
NO SCALE



**CONDENSATE LINE HANGER DETAIL**  
NO SCALE

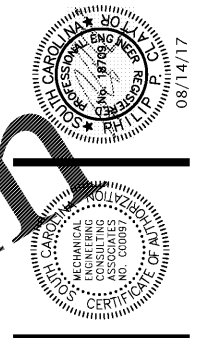
**MECA**  
Mechanical Engineering Consulting Associates, Inc.

Columbia Office  
P.O. Box 50644  
Columbia, South Carolina  
Phone: (803) 722-1111

Charleston Office  
5155 W. Ashley Lane  
Wando, South Carolina  
Phone: (803) 722-1111

Jacksonville Office  
1725 Silver Street  
Jacksonville, Florida 32206  
Phone: (904) 494-6300

Designed: TAS  
Approved: PPC  
Job No.: 116226  
Plot Date: 08/14/17



McCreary/Snow Architects, PA  
Architects and Planners  
11143 Old Highway 17  
Richland County, SC 29211  
www.mccrearysnow.com

File date: 8/14/2017

Mechanical Details  
Pinewood Community Bldg.  
Richland County  
Old Garners Ferry Road  
Columbia, SC 29209

Construction Documents

Drawn: -	Checked: -
Revised: -	
File: -	Project No.: #####

m0.5

Sheet Number  
February 6, 2017  
Date

Order Plans @