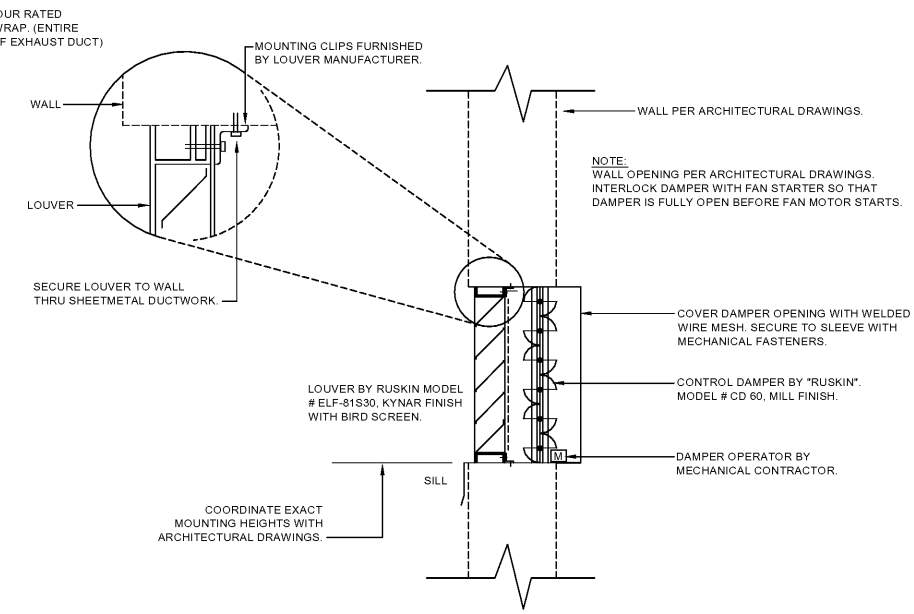
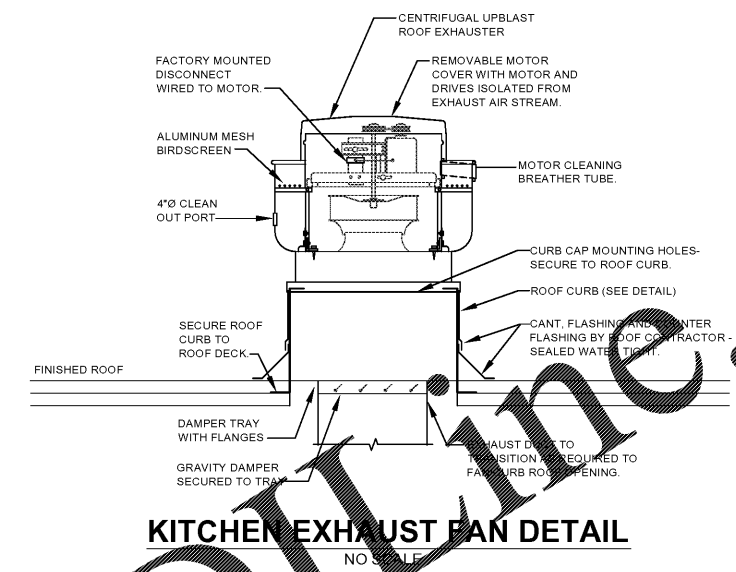


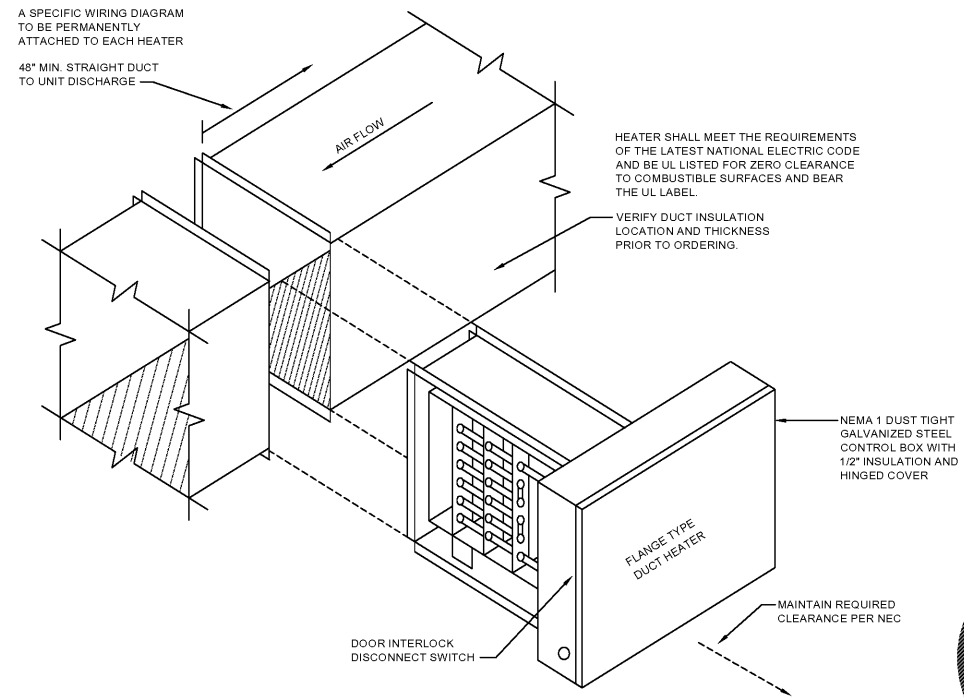
KITCHEN EXHAUST HOOD DETAIL
NO SCALE



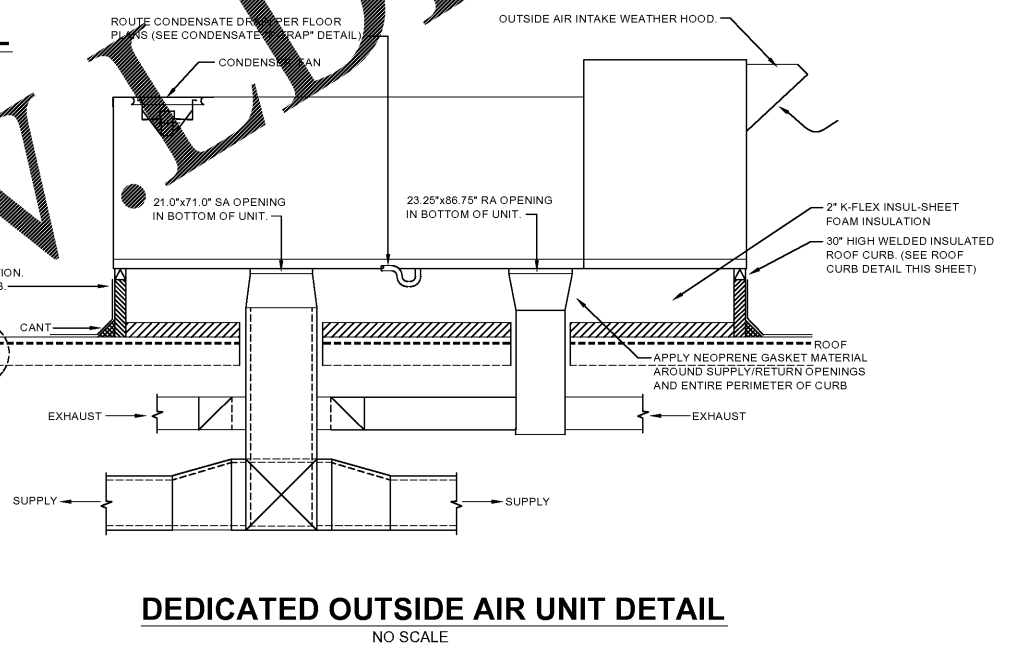
LOUVER WITH MOTORIZED DAMPER DETAIL
NO SCALE



KITCHEN EXHAUST FAN DETAIL
NO SCALE

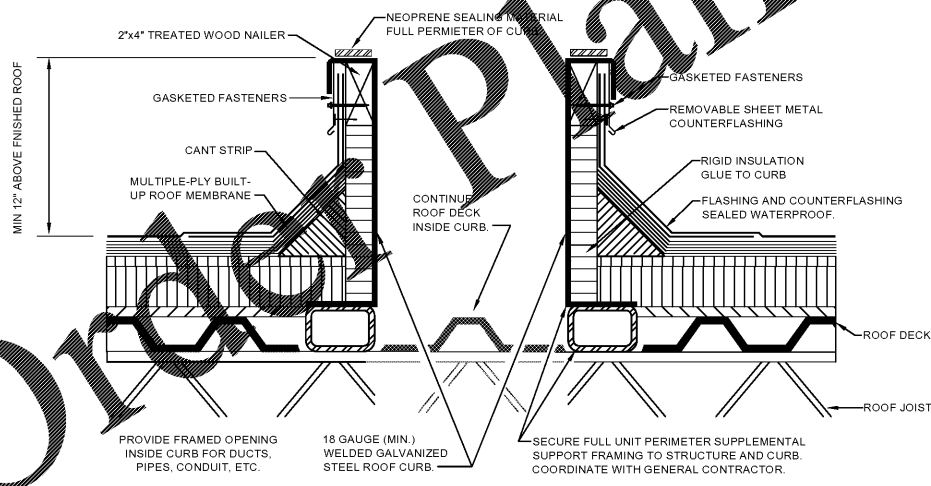


ELECTRIC DUCT HEATER DETAIL
NO SCALE

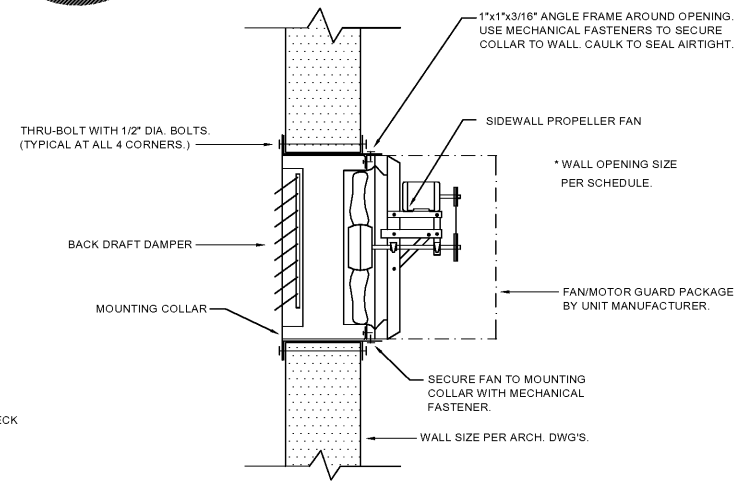


DEDICATED OUTSIDE AIR UNIT DETAIL
NO SCALE

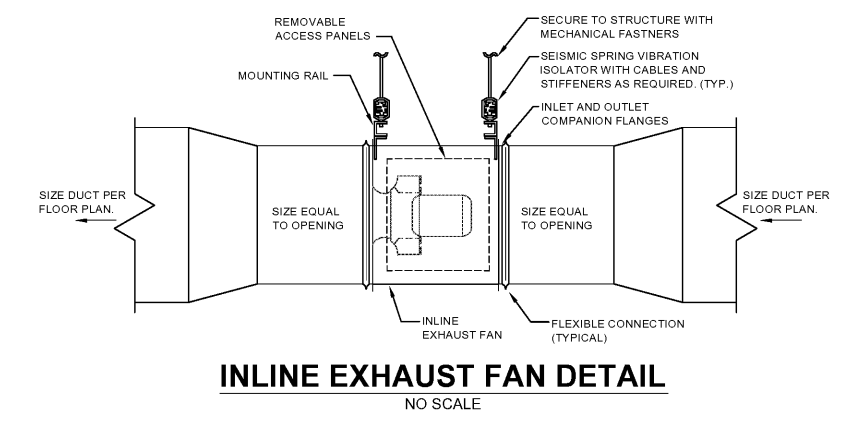
- GENERAL NOTES:**
- 1) INSTALLATION SHALL BE PER ARCHITECT'S APPROVED ROOFING MANUFACTURER, ROOFING CONTRACTOR AND NATIONAL ROOFING CONTRACTORS ASSOCIATION (NRCA) ROOF CURB CRITERIA.
 - 2) COORDINATE ALL OPENING SIZE AND LOCATIONS WITH GENERAL CONTRACTOR AND STRUCTURAL ENGINEER.
 - 3) ROOF CURB SLOPED AS REQUIRED TO MATCH ROOF FOR LEVEL INSTALLATION WITH OUT FIELD SHIM.



ROOF CURB DETAIL
NO SCALE



SIDEWALL PROPELLER FAN DETAIL
NO SCALE



INLINE EXHAUST FAN DETAIL
NO SCALE

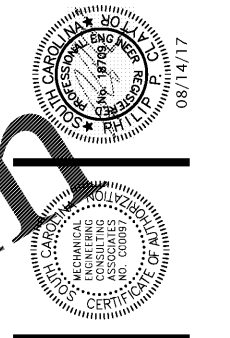
MECA
Mechanical Engineering
Consulting Associates, Inc.

Columbia Office
P.O. Box 50644
Columbia, SC 29205
Phone: (803) 722-1111

Charleston Office
4515 S. Charleston Lane
Wando, South Carolina 29492
Phone: (803) 722-1111

Jacksonville Office
1721 Silver Street
Jacksonville, Florida 32206
Phone: (904) 494-6300

Designed: TAS
Approved: PPC
Job No.: 116226
Plot Date: 08/14/17



McCreech/Snow Architects, PA
Architects and Planners

1143 Old River Road
Columbia, SC 29204
803.777.8287
ccsmccreech.com

Mechanical Details
Pinewood Community Bldg.
Richland County
Old Garners Ferry Road
Columbia, SC 29209

File date: 8/14/2017

Construction Documents

Drawn: -	Checked: -
Revised: -	
Project No.: #####	
File: -	