

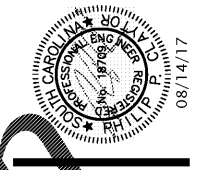


Columbia Office
P.O. Box 50644
Columbia, South Carolina
Phone: (803) 762-1111

Charleston Office
1515 S. Charleston Lane
Wando, South Carolina
Phone: (803) 762-1111

Jacksonville Office
1717 Silver Street
Jacksonville, Florida 32206
Phone: (904) 494-6300

Designed: TAS
Approved: PPC
Job No.: 116226
Plot Date: 08/14/17

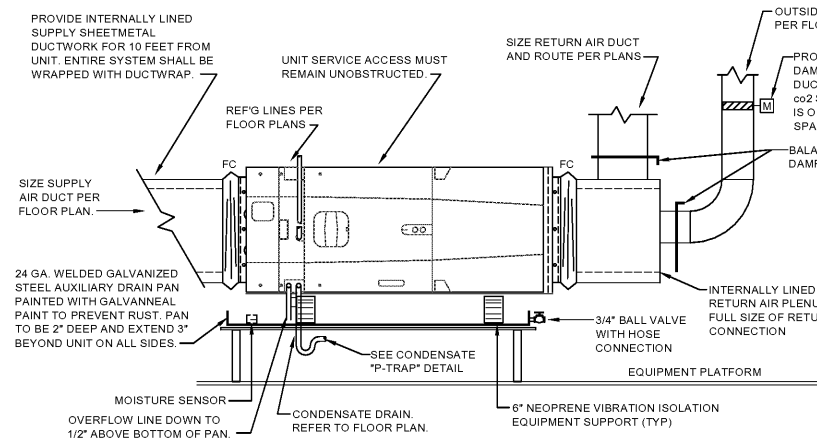


McCreech/Snow Architects, PA
Architects and Planners
P.O. Box 11143
Columbia, South Carolina 29211
803.777.8287
csm@mcmech.com

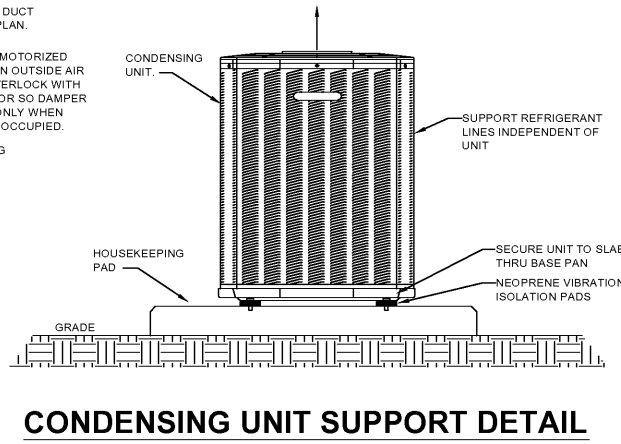
Mechanical Details
Pinewood Community Bldg.
Richland County
Old Garners Ferry Road
Columbia, SC 29209

File date: 8/14/2017

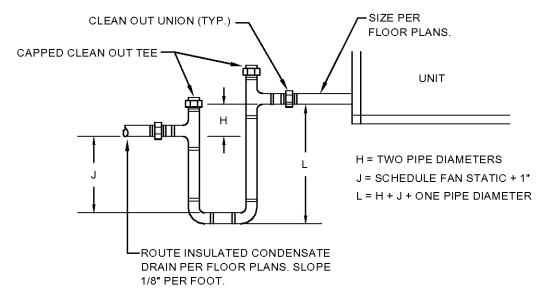
Construction Documents



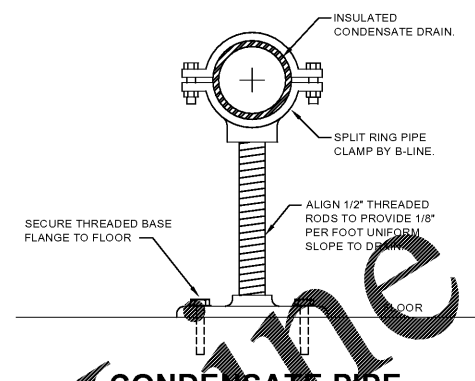
HORIZONTAL AIR HANDLER DETAIL
NO SCALE



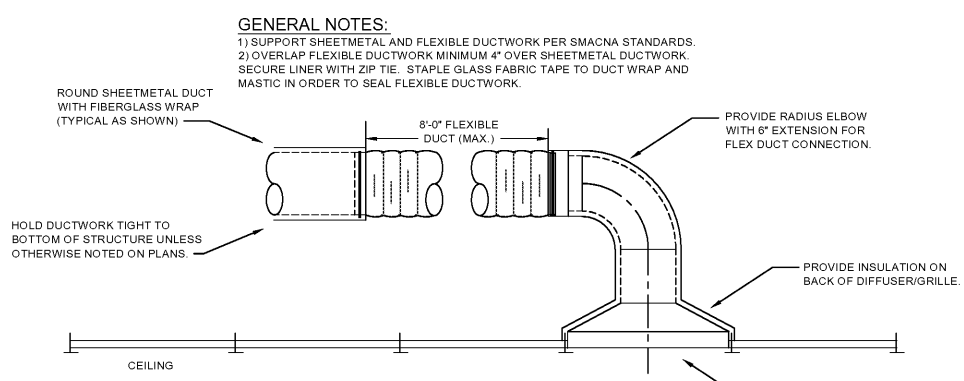
CONDENSING UNIT SUPPORT DETAIL
NO SCALE



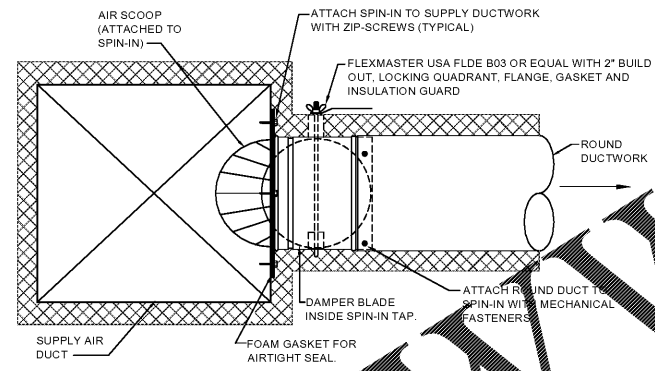
CONDENSATE "P-TRAP" DETAIL
NO SCALE



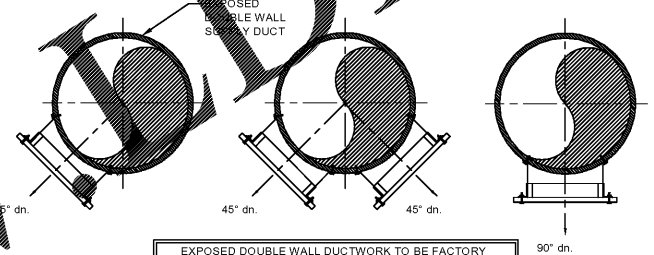
CONDENSATE PIPE SUPPORT DETAIL
NO SCALE



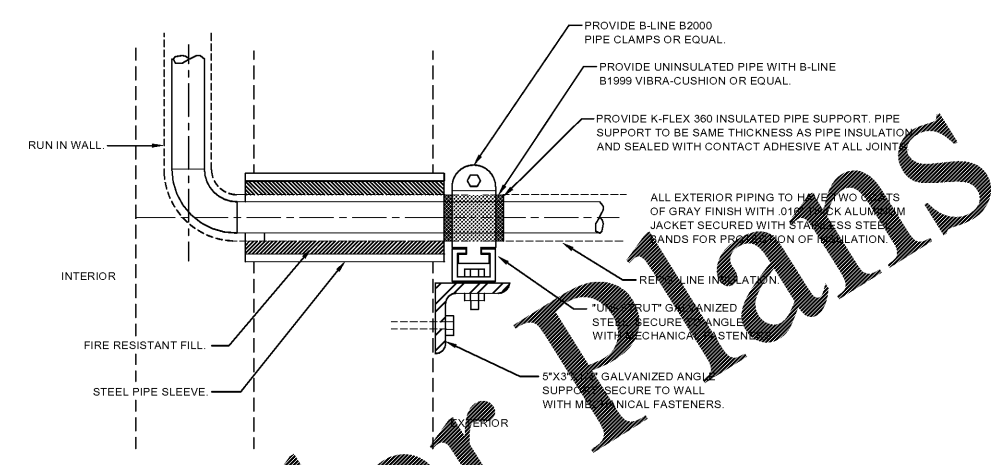
TYPICAL ROUND DUCT RUNOUT DETAIL
NO SCALE



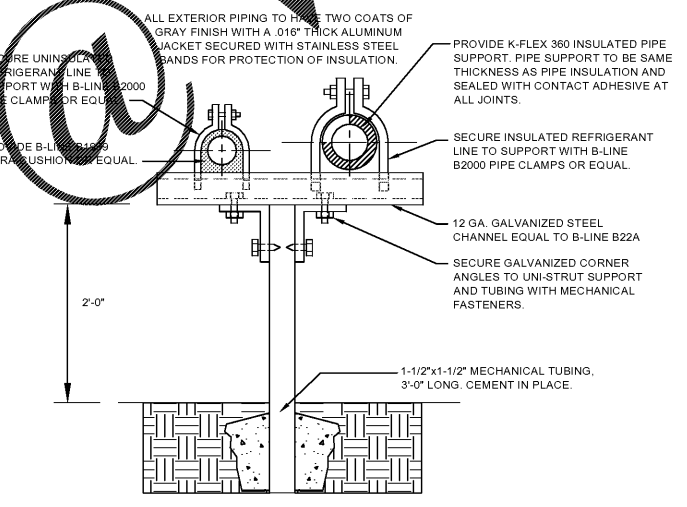
TYPICAL SPIN IN DETAIL
NO SCALE



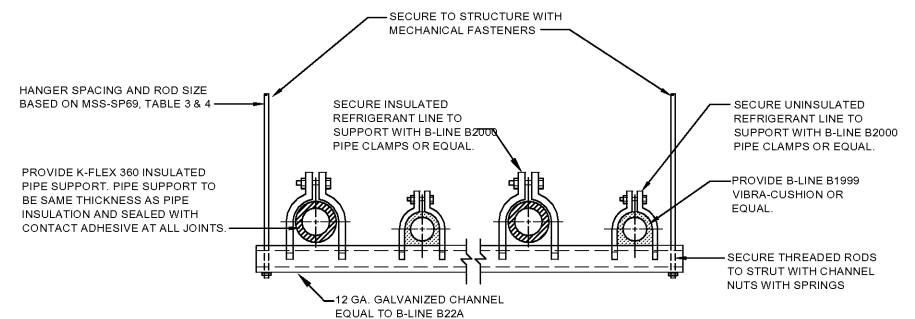
DUCT MOUNTED DIFFUSER LOCATIONS
NO SCALE



REFRIGERANT LINE PIPE SLEEVE DETAIL
NO SCALE



REFRIGERANT PIPE SUPPORT DETAIL
NO SCALE



REFRIGERANT PIPE SUPPORT DETAIL
NO SCALE

Order Plans

Drawn: -
Revised: -
Checked: -
Project No.: #####
File: -