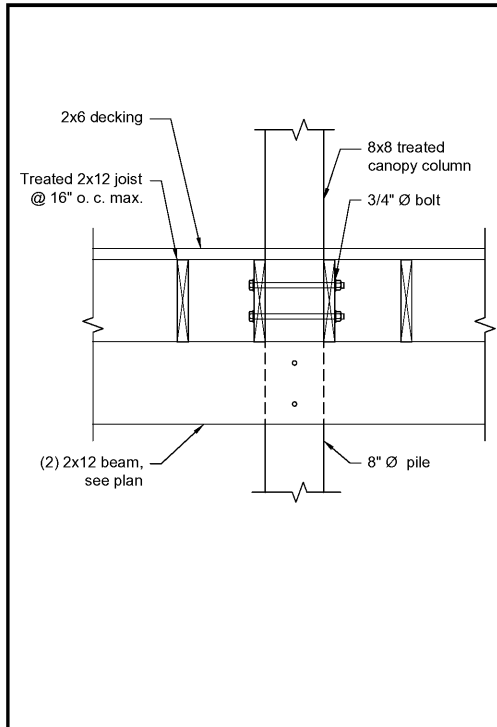
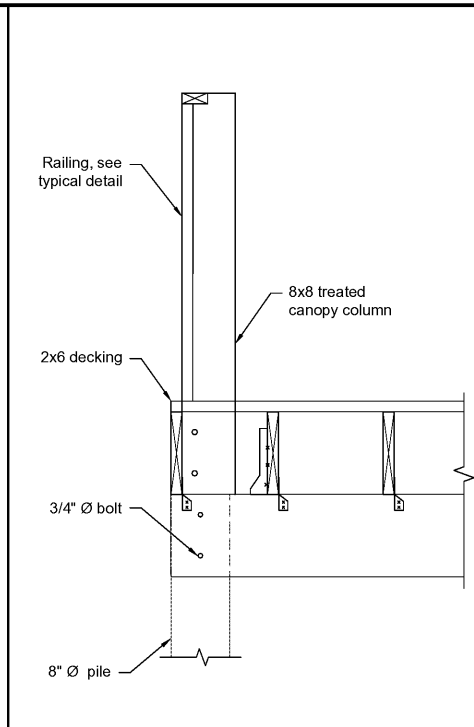


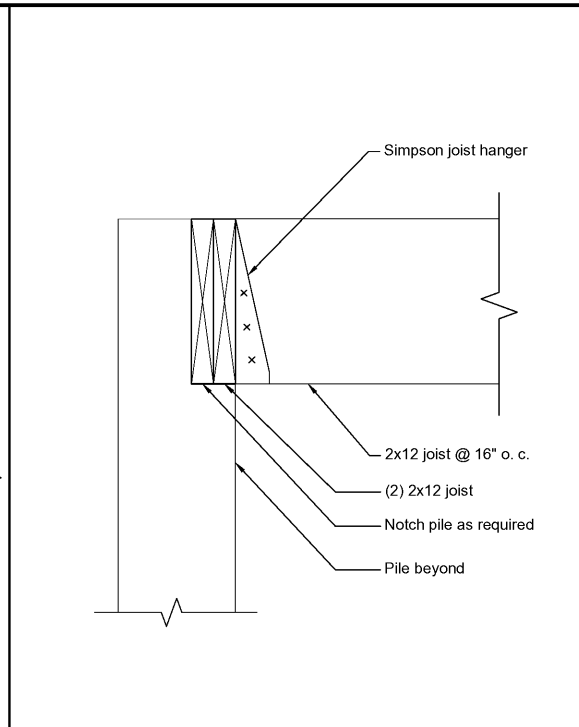
Drawing File: 399935-165.dwg Plotted: Aug 24, 2017 1:54pm



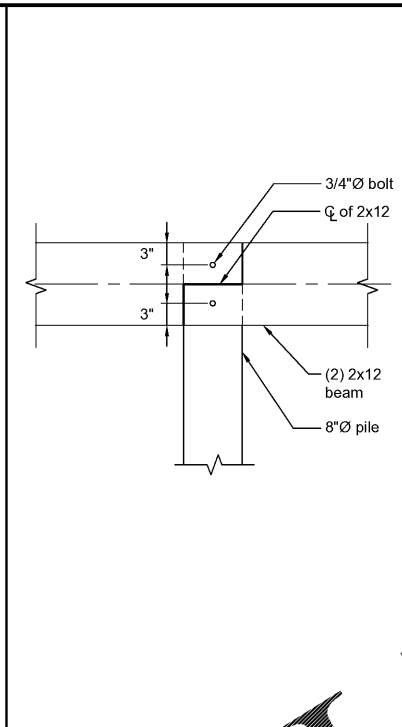
1 - Section Scale: 1"= 1'-0"



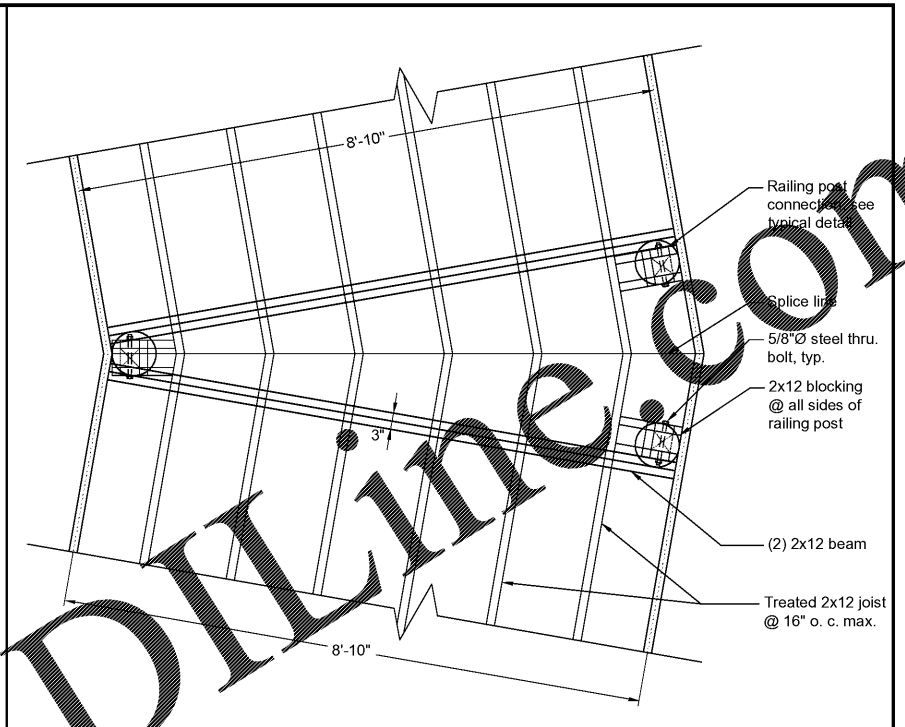
2 - Section Scale: 1"= 1'-0"



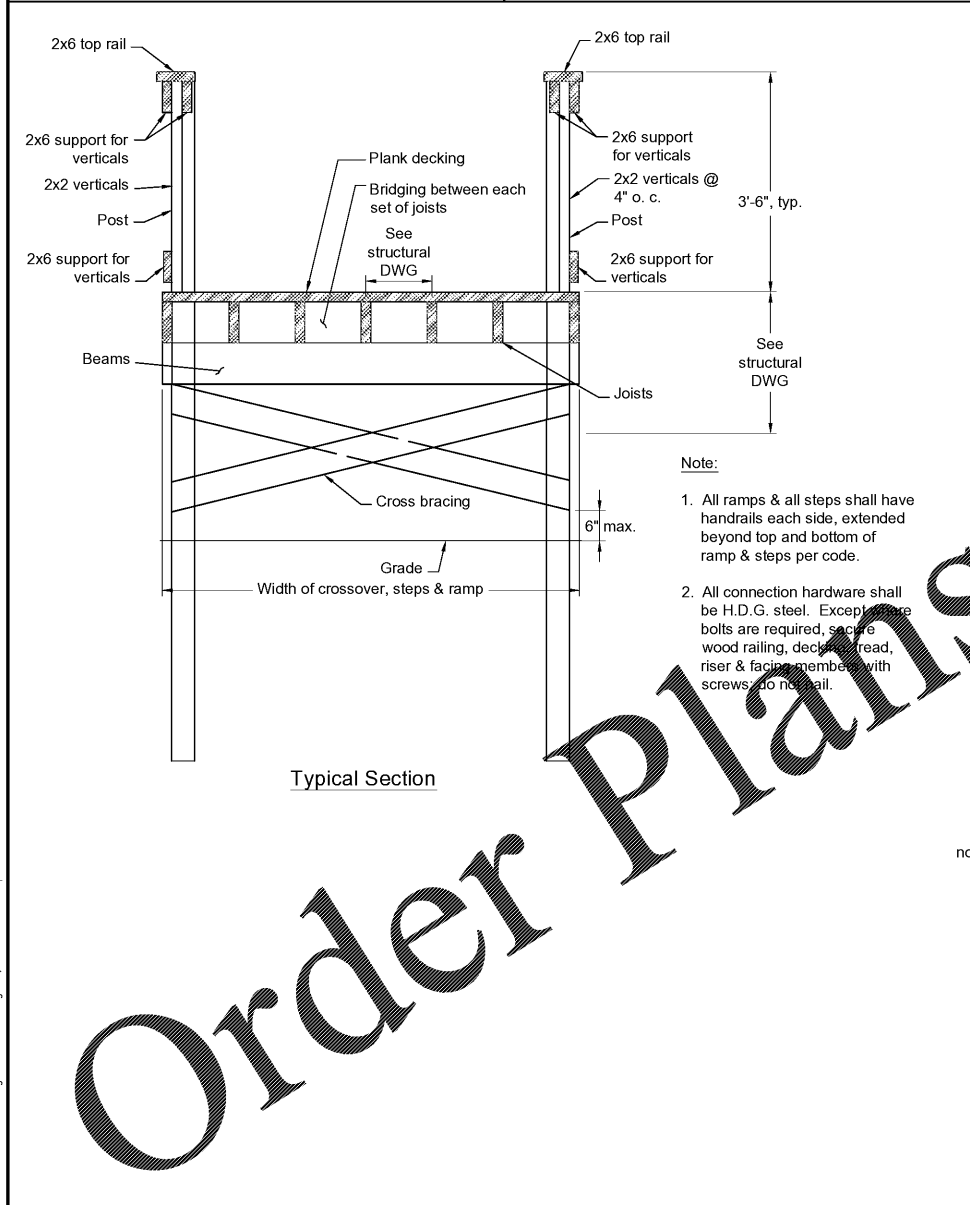
3 - Section Scale: 2"= 1'-0"



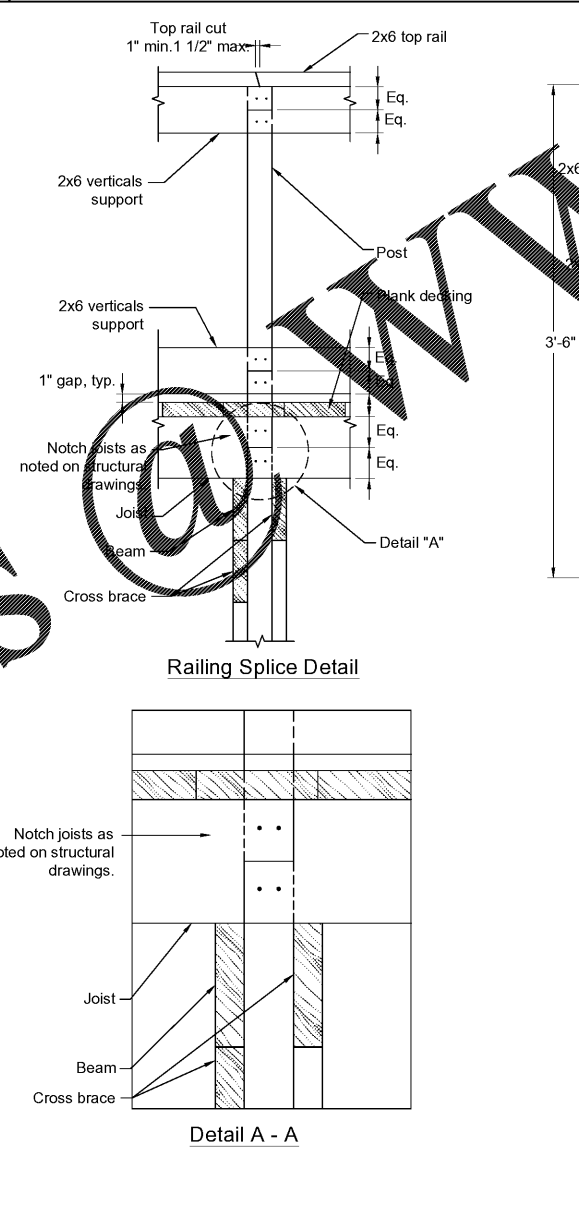
4 - Typical beam splice Scale: 1"= 1'-0"



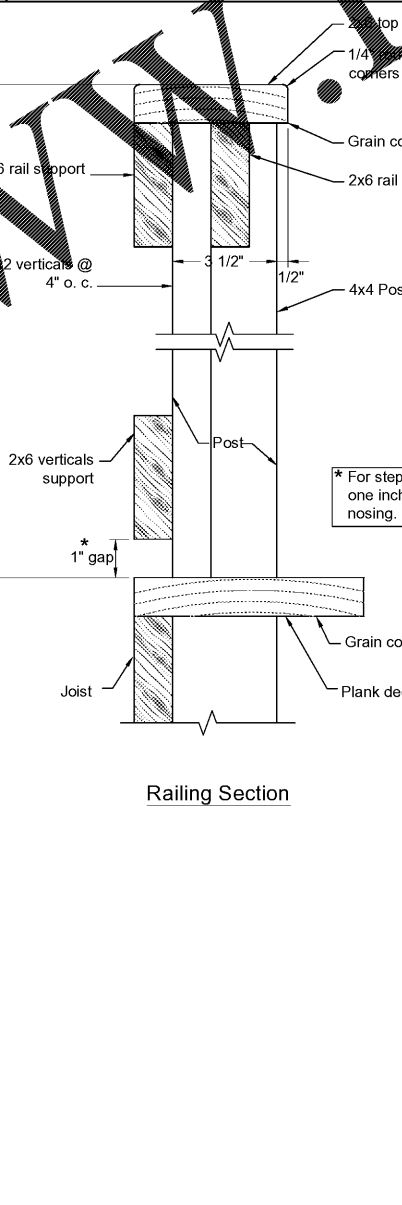
5 - Section Scale: 3/4"= 1'-0"



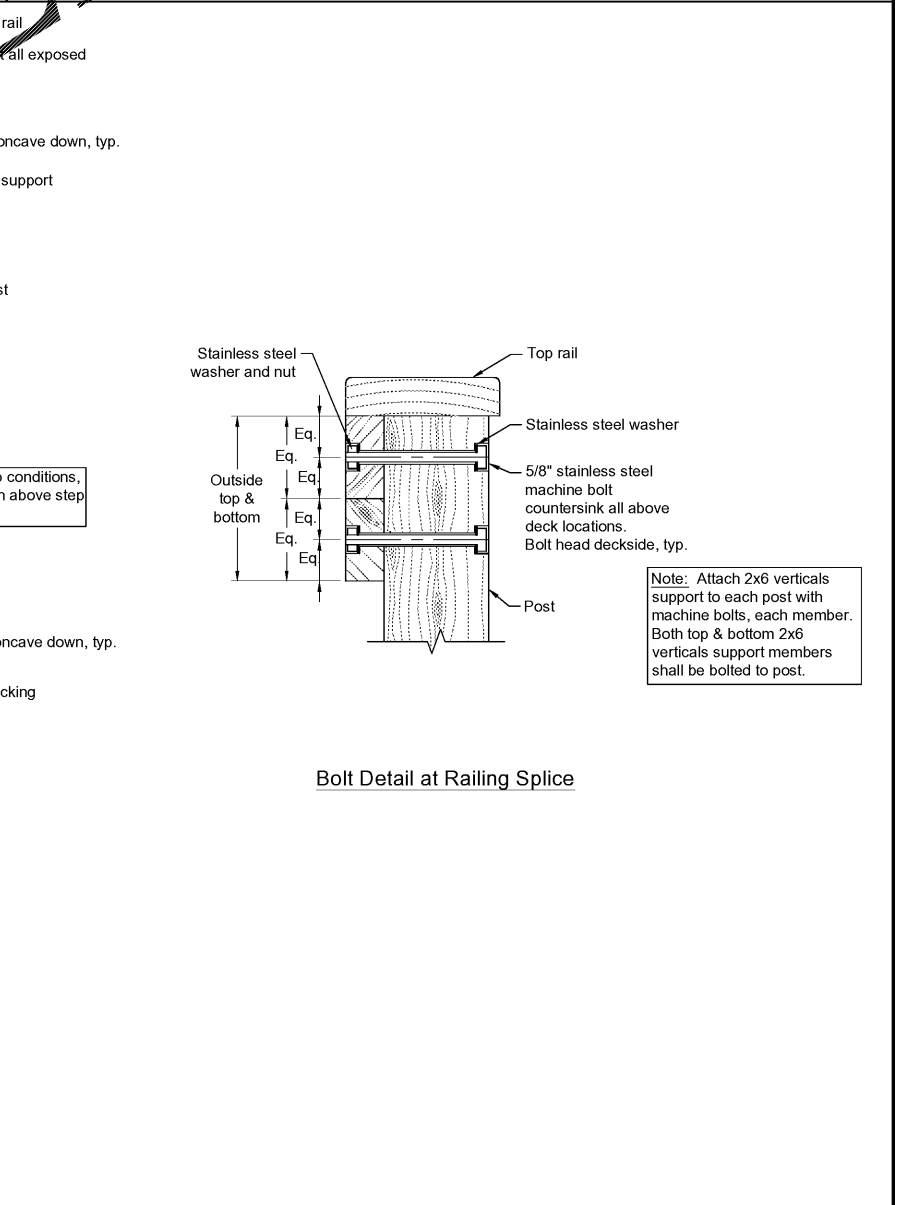
6 - Typical Railing Detail Scale: NTS



Railing Splice Detail



Railing Section



Bolt Detail at Railing Splice

Order Plans



Chao & Associates, Inc.
Civil - Structural - Survey
7 Clusters Court
Columbia, SC 29210
Voice: (803) 772-8420
Fax: (803) 772-9120
Email: consult@chaoinc.com



Sections and Details
Pinewood Lake Park Fishing Pier & Boardwalk
Prepared for:
Richland County
Richland County, South Carolina

Drawn: LPL Checked: CJC
Revised:
File: 399935-165.dwg Project No.: 399935D

BWS2.1
Sheet Number
8/14/2017
Date