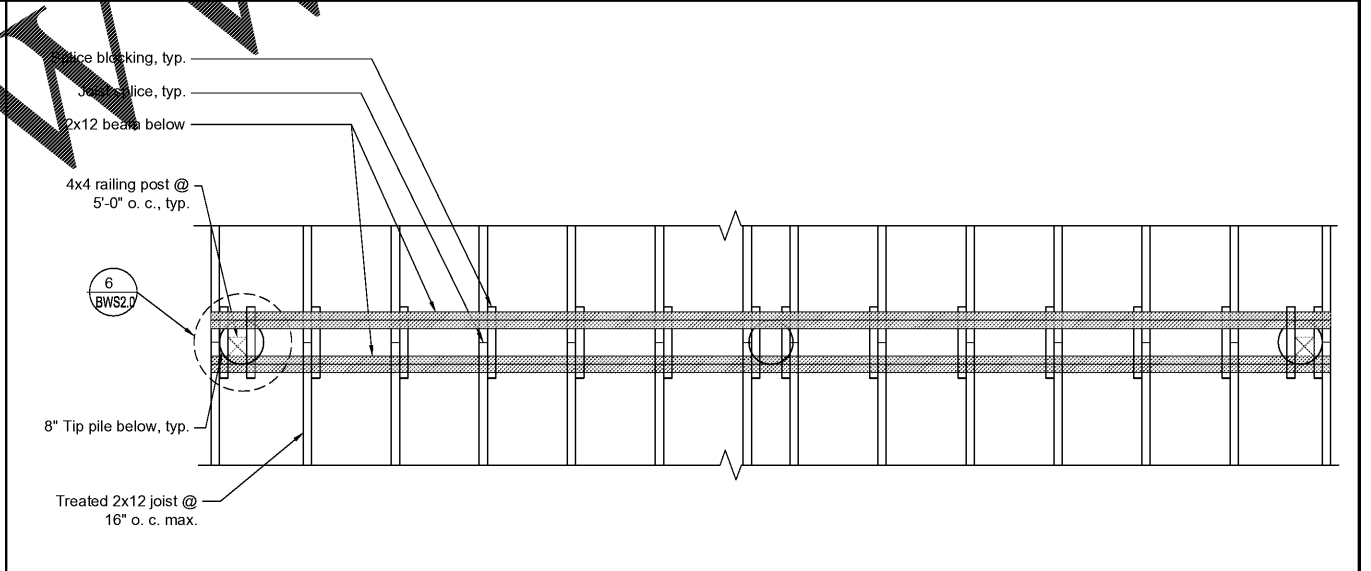
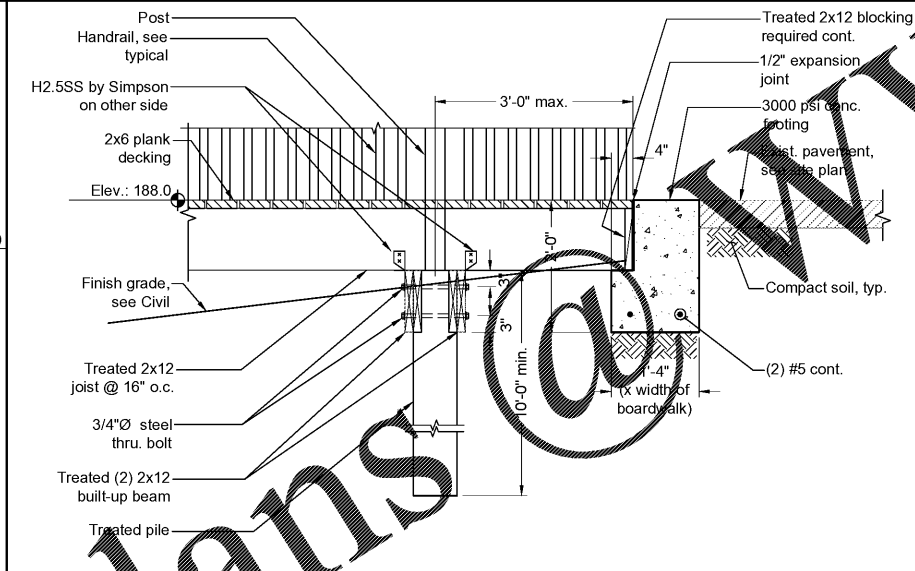
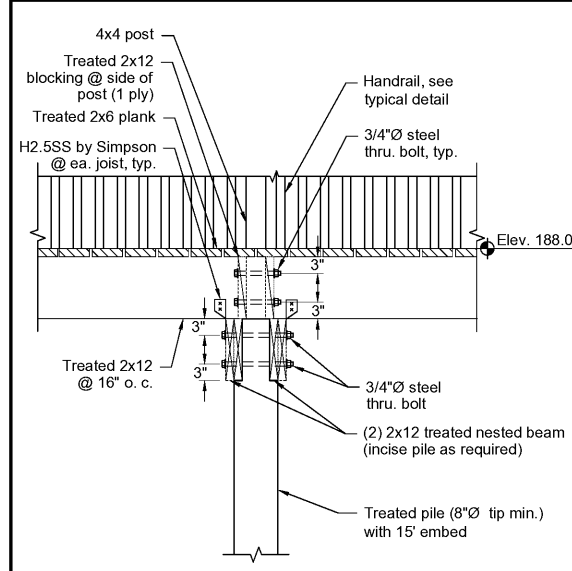


1 - Section

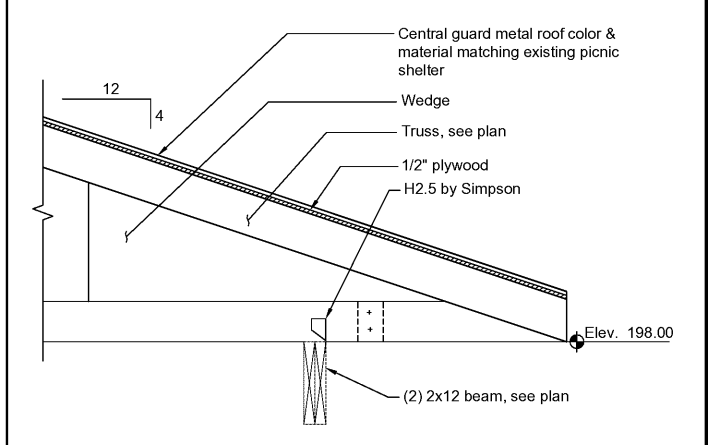
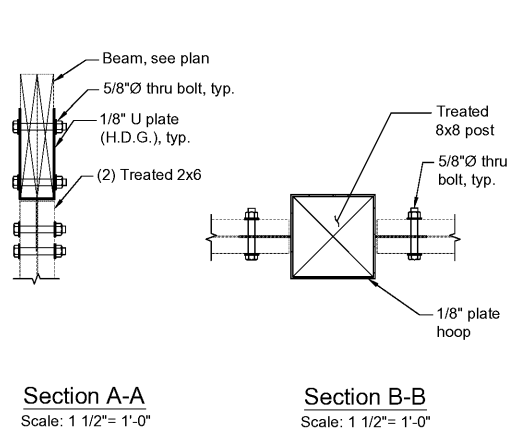
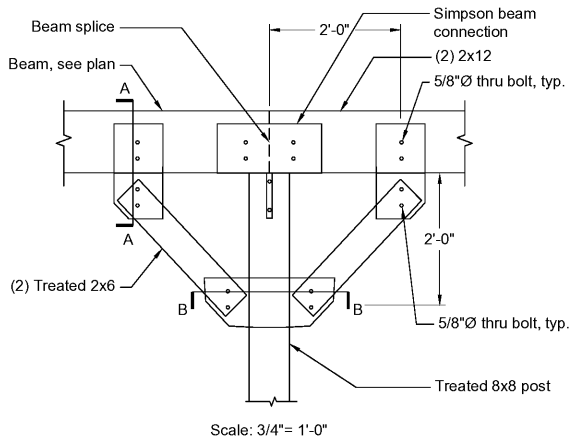
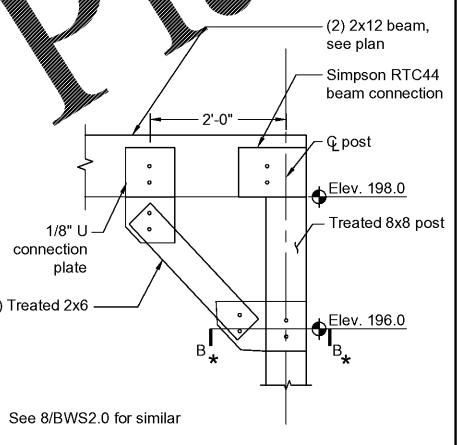
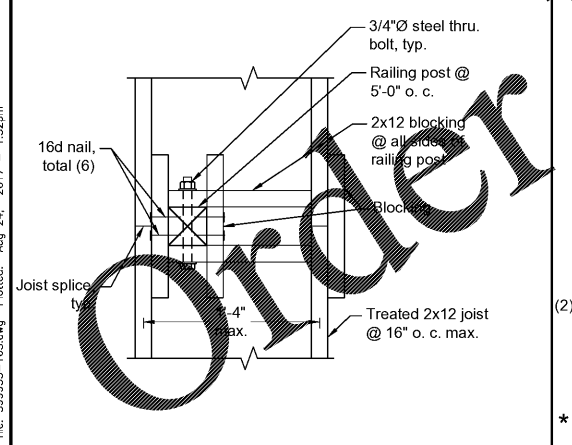
2 - Section



3 - Section

4 - Section

5 - Section



6 - Typical Railing Post Connection

7 - Section

8 - Section

9 - Section

Drawing File: 399935-16S.dwg Plotted: Aug 24, 2017 1:32pm

Order Plans

**CHAO & ASSOCIATES, INC.**  
 CONSULTING ENGINEERS & LAND SURVEYORS

Chao & Associates, Inc.  
 Civil - Structural - Survey  
 7 Clusters Court  
 Columbia, SC 29210  
 Voice: (803) 772-8420  
 Fax: (803) 772-9120  
 Email: consult@chaoinc.com

**SOUTH CAROLINA**  
 PROFESSIONAL ENGINEER  
 No. 113789  
 EXPIRES 12-14-2016

**SOUTH CAROLINA**  
 PROFESSIONAL SURVEYOR  
 No. 000357  
 EXPIRES 12-14-2016

Sections and Details  
 Pinewood Lake Park Fishing Pier & Boardwalk  
 Prepared for:  
 Richland County  
 Richland County, South Carolina

Drawn: LPL Checked: CJC  
 Revised:  
 Project No.: 399935D  
 File: 399935-16S.dwg

**BWS2.0**  
 Sheet Number  
 8/14/2017  
 Date