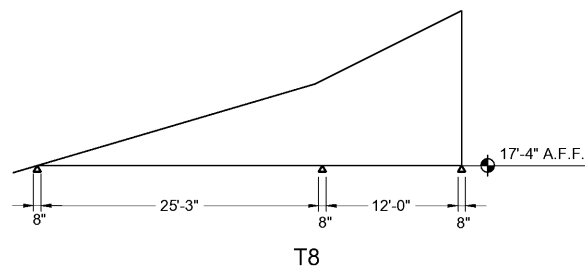
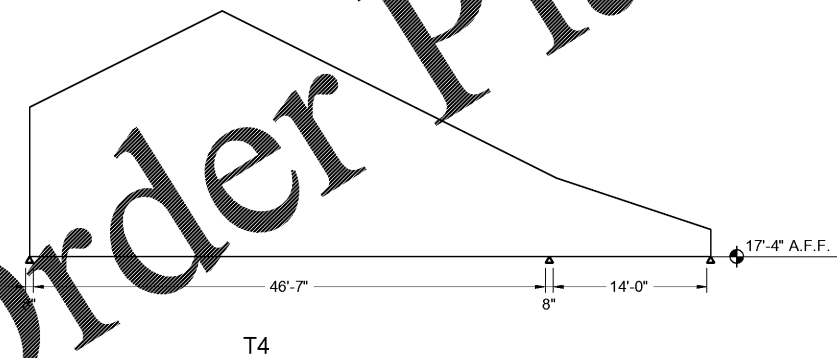
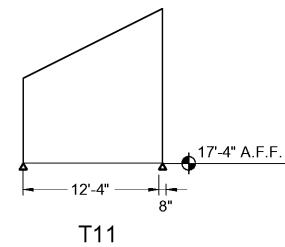
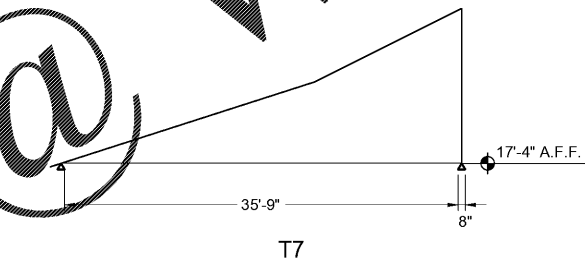
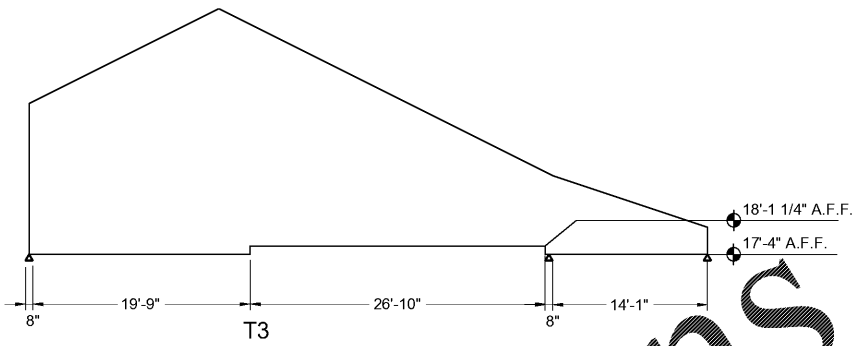
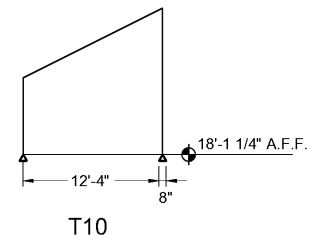
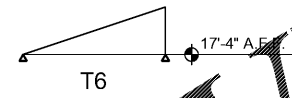
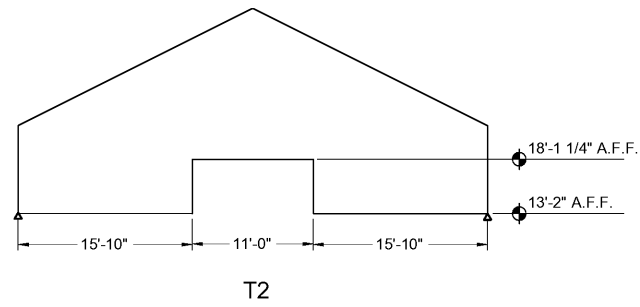
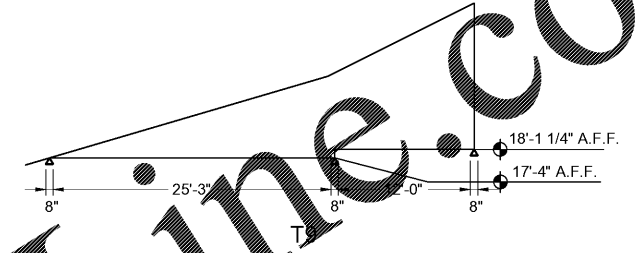
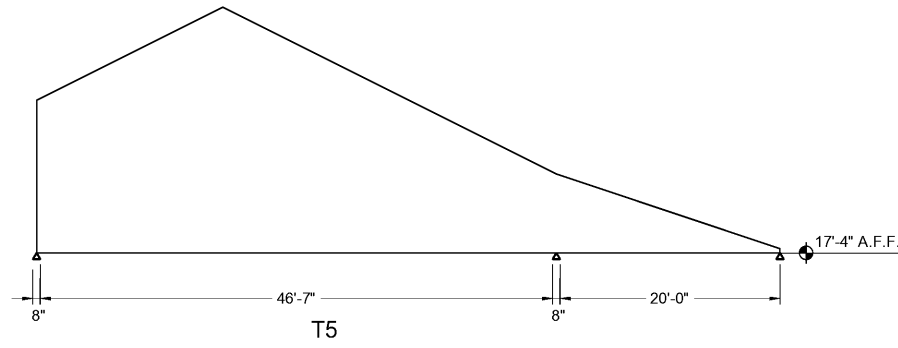
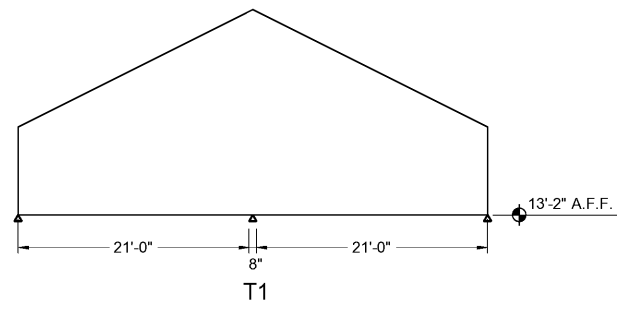


Drawing File: 399935D-17S-BLDG.dwg Plotted: Aug 25, 2017 - 11:36am



Note:
All truss diagrams not
to scale

Order Plans

WWW.LDILine.com



Chao & Associates, Inc.
Civil - Structural - Survey
7 Clusters Court
Columbia, SC 29210
Voice: (803) 772-8420
Fax: (803) 772-9120
Email: consult@chaoinc.com



Truss Diagrams
Pinewood Community Building
Richland County
Old Garners Ferry Road
Columbia, SC 29209

Drawn: _____
Revised: _____
Checked: _____
File: 399935D-17S-BLDG.dwg Project No.: 399935D

S2.4
Sheet Number
8/25/2017
Date