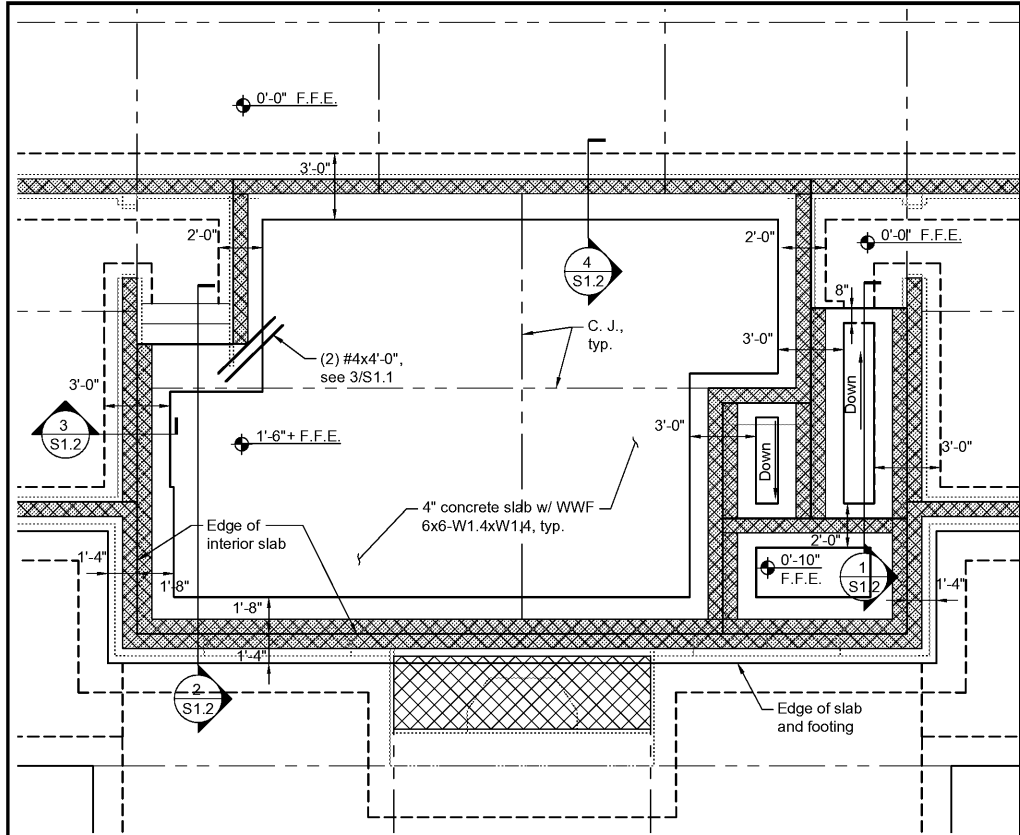
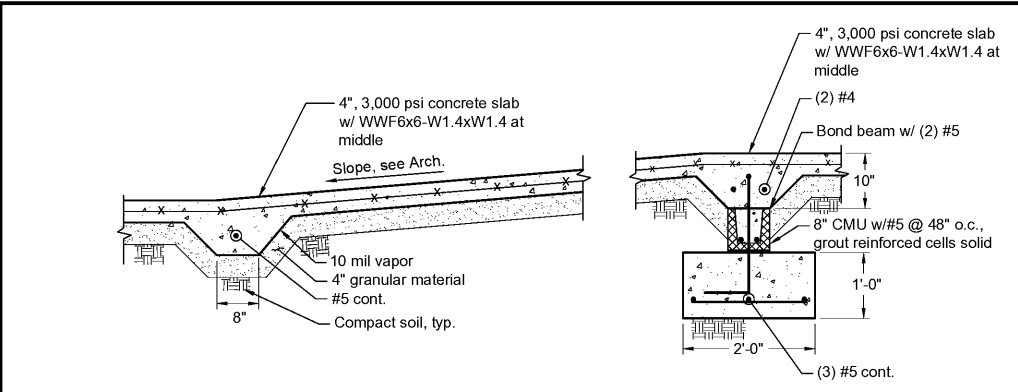


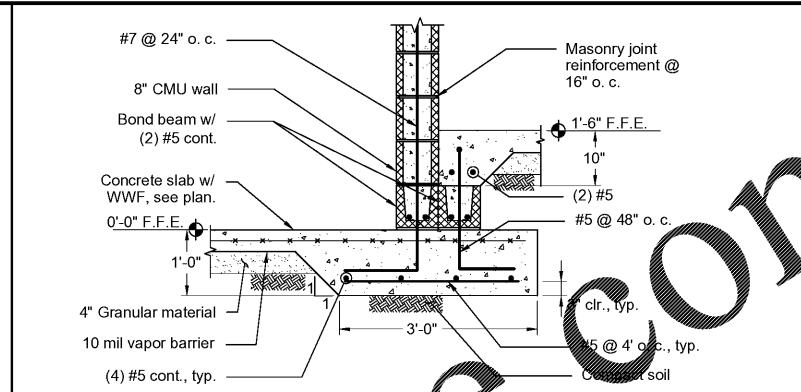
Drawing File: 399935D-17S-BLDG.dwg Plotted: Aug 25, 2017 - 11:36am



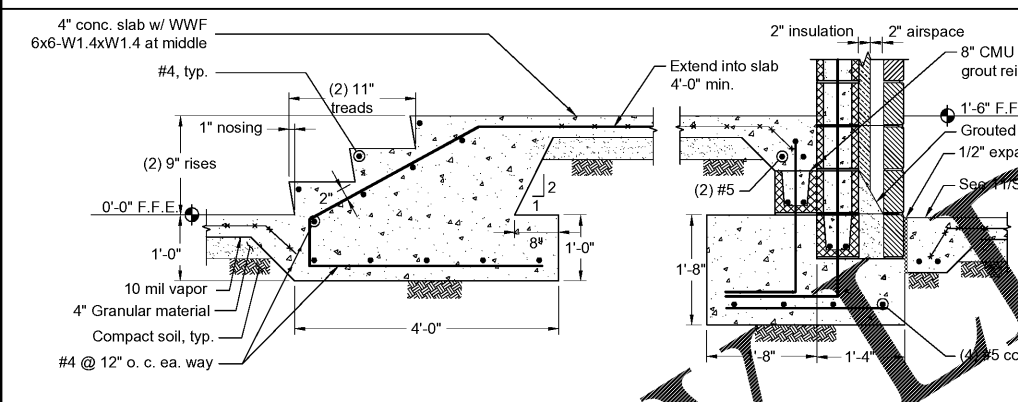
Enlarge Stage Plan, Reference S1.0 Scale: 1/4" = 1'-0"



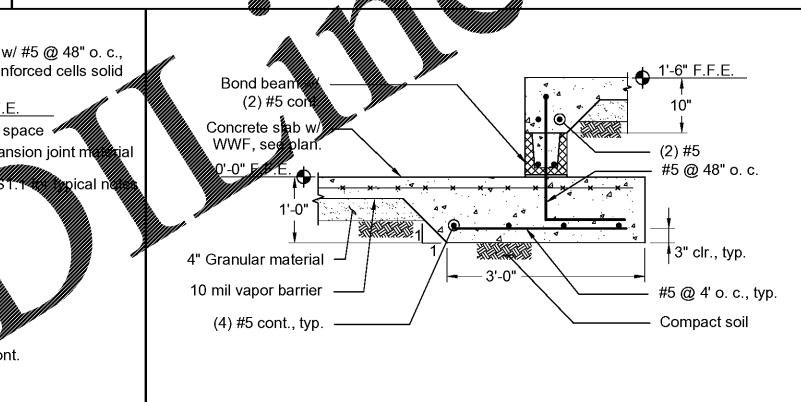
1 - Section Scale: 3/4" = 1'-0"



3 - Section Scale: 3/4" = 1'-0"



2 - Section Scale: 3/4" = 1'-0"

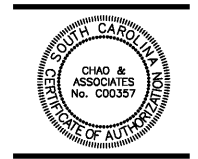


4 - Section Scale: 3/4" = 1'-0"

Order Plans @ www.ldonline.com



Chao & Associates, Inc.
Civil - Structural - Survey
7 Clusters Court
Columbia, SC 29210
Voice: (803) 772-8420
Fax: (803) 772-9120
Email: consult@chaoinc.com



Foundation Sections & Details
Pinewood Community Building
Richland County
Old Garners Ferry Road
Columbia, SC 29209

Drawn:	Checked:
Revised:	
File: 399935D-17S-BLDG.dwg Project No.: 399935D	

S1.2
Sheet Number
8/25/2017
Date