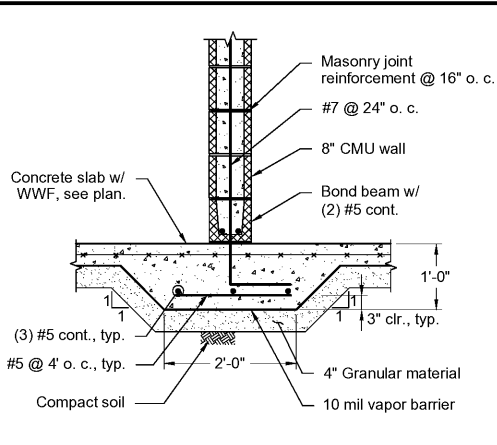
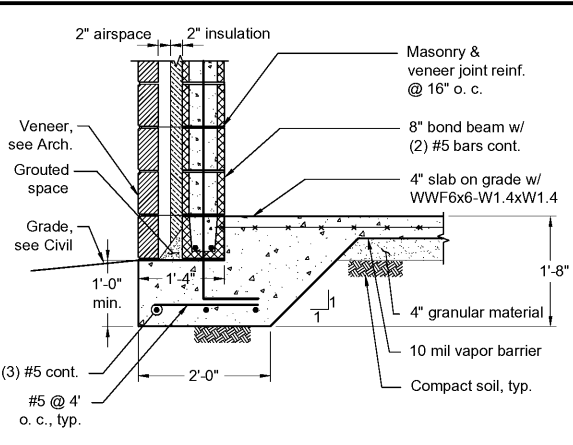


Drawing File: 399935D-17S-BLDG.dwg Plotted: Aug 25, 2017 - 11:57:56m

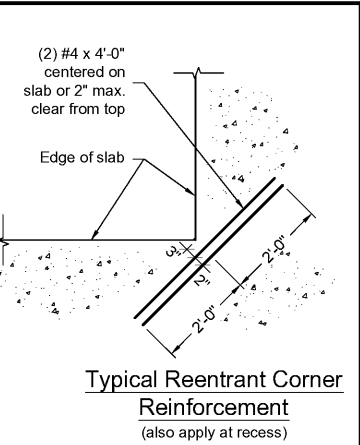
Order Plans



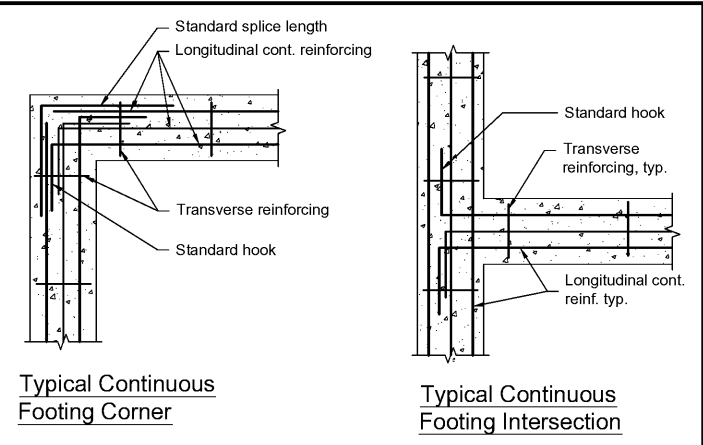
1 - Section Scale: 3/4" = 1'-0"



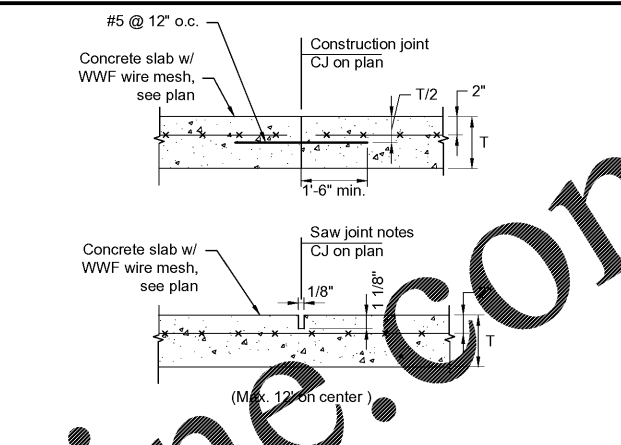
2 - Section Scale: 3/4" = 1'-0"



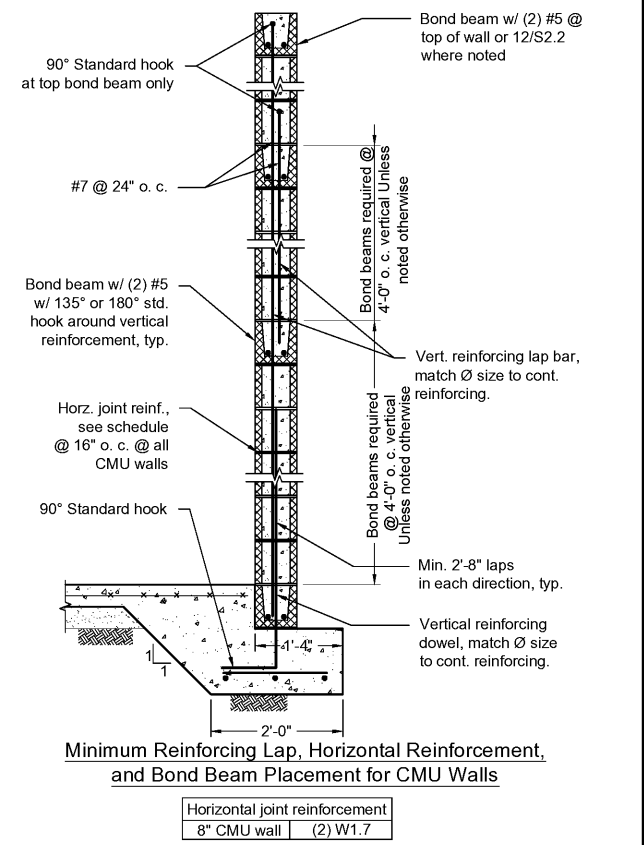
3 - Typical Details Scale: NTS



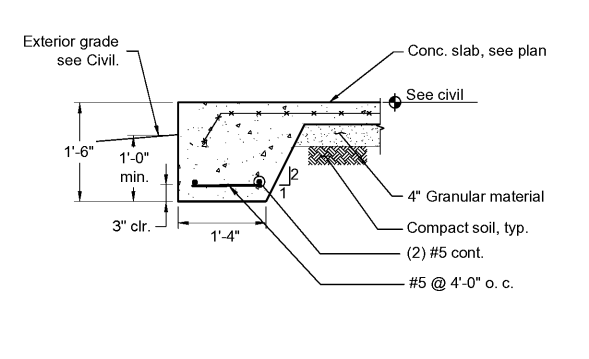
4 - Typical Details Scale: NTS



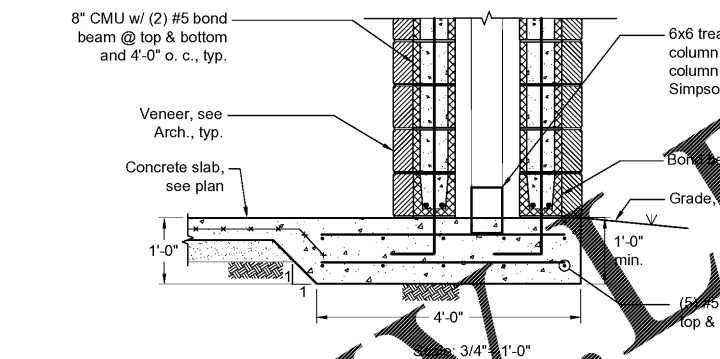
5 - Typical Control Joint Details Scale: NTS



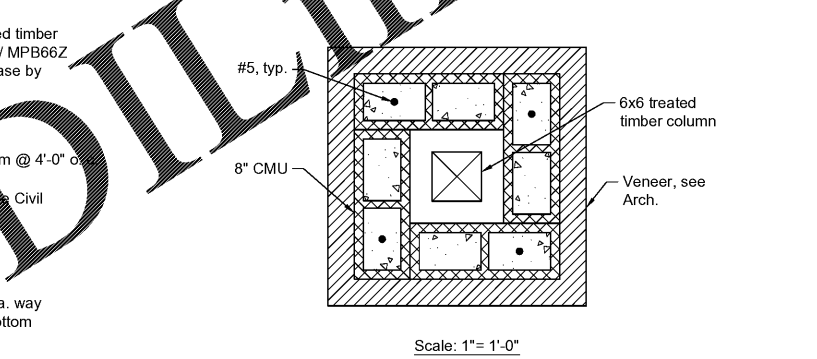
6 - Typical Details Scale: 3/4" = 1'-0"



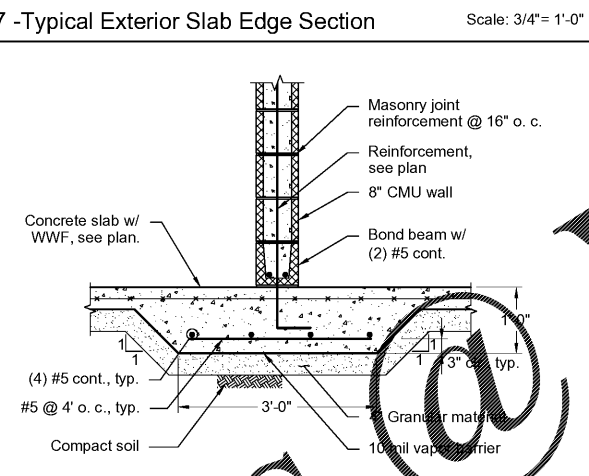
7 - Typical Exterior Slab Edge Section Scale: 3/4" = 1'-0"



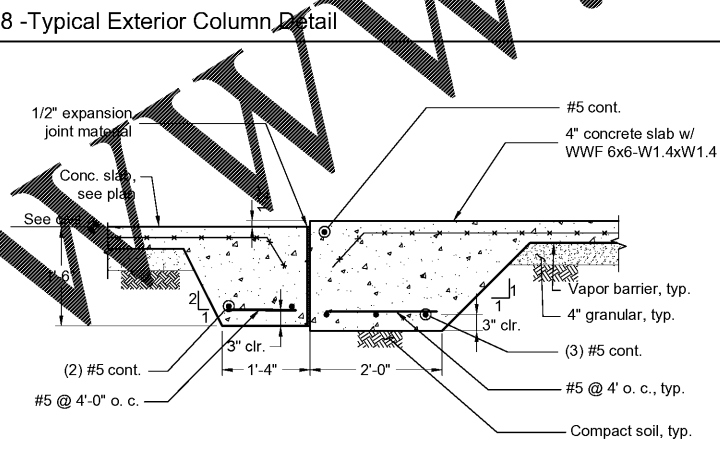
8 - Typical Exterior Column Detail Scale: 3/4" = 1'-0"



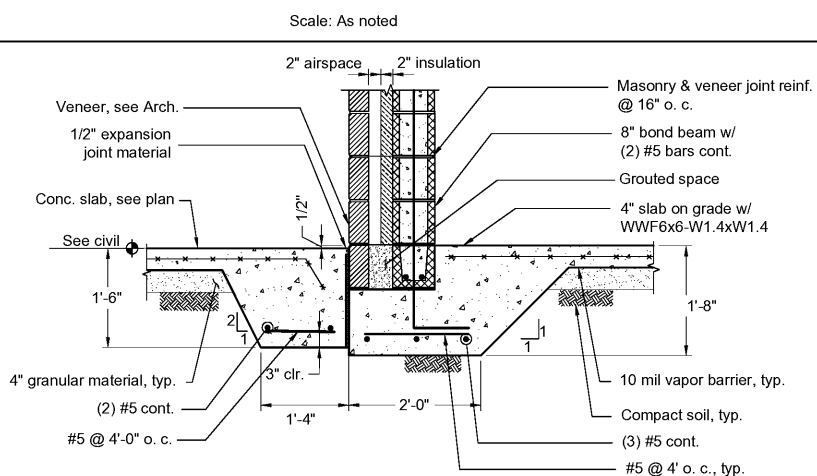
9 - Section Scale: 3/4" = 1'-0"



10 - Section Scale: 3/4" = 1'-0"



11 - Section Scale: 3/4" = 1'-0"



11 - Section Scale: 3/4" = 1'-0"

CHAO & ASSOCIATES, INC.
 CONSULTING ENGINEERS & LAND SURVEYORS
 Civil - Structural - Survey
 7 Clusters Court
 Columbia, SC 29210
 Voice: (803) 772-8420
 Fax: (803) 772-9120
 Email: consult@chaoinc.com



Foundation Sections & Details
 Pinewood Community Building
 Richland County
 Old Garners Ferry Road
 Columbia, SC 29209

Drawn: _____
 Revised: _____
 Checked: _____
 File: 399935D-17S-BLDG.dwg Project No.: 399935D

S1.1
 Sheet Number
 8/25/2017
 Date