

FIRE PROTECTION LEGEND

SYMBOL	ABBREV	ITEM	SYMBOL	ABBREV	ITEM
FP		FIRE PROTECTION MAIN	↘		REDUCER
⊙ _A		SPRINKLER HEAD - RECESSED PENDANT	↗		CHECK VALVE
⊙ _{A,B}		SPRINKLER HEAD - UPRIGHT	FS		FLOW SWITCH
⊙ _{DP-A}		SPRINKLER HEAD - DRY PENDENT	TS		TAMPER SWITCH
⊙		FIRE RISER WITH VALVING	○		TEE - UP
			○		TEE - DOWN
			⊥		TEE
			⊥		ELBOW - UP
			⊥		ELBOW - DOWN

GENERAL FIRE PROTECTION NOTES

- PROVIDE ALL WORK IN COMPLIANCE WITH LOCAL, STATE AND FEDERAL CODES. COORDINATE WORK WITH LOCAL FIRE DEPARTMENT.
- SPRINKLER CONTRACTOR SHALL OBTAIN AND PAY FOR ALL STATE AND LOCAL PERMITS REQUIRED FOR HIS WORK, AND SCHEDULE ANY INSPECTIONS REQUIRED BY GOVERNING RULES AND REGULATIONS.
- PROVIDE SPRINKLER COVERAGE FOR ALL SPACES IN COMPLIANCE WITH LOCAL, STATE AND FEDERAL CODES, NFPA-13 AND OWNER'S INSURANCE CARRIER/UNDERWRITER.
- COORDINATE FIRE PROTECTION SYSTEM WITH ALL OTHER TRADES, BUILDING CONDITIONS, ETC.
- ALL PIPING SHALL BE PITCHED BACK TO MAIN WITH SPRINKLER HEADS AS HIGH AS POSSIBLE IN SPACES WITH NO CEILINGS (EXPOSED ROOF STRUCTURE).
- FIRE PROTECTION CONTRACTOR SHALL PROVIDE DRY PIPE PENDANT HEADS WITH HEAD GUARDS IN THE FREEZER AND COOLERS. FREEZER AND COOLER INSTALLER SHALL BE RESPONSIBLE FOR SEALING THE SPRINKLER HEAD PENETRATION INTO THE INSULATED BOX.
- POSITION HEADS TO MISS LIGHT FIXTURES IN COOLER AND FREEZER AND TO BE LOCATED NO CLOSER THAN 24" TO REFRIGERATION COILS HUNG FROM CEILING OF COOLER/ FREEZER OR NO CLOSER THAN 48" TO THE BACK WALL OF THE COOLER/FREEZER. (COORDINATE WITH REFRIGERATION CONTRACTOR).
- FOR ALL AREAS WITH CEILING GRIDS, PROVIDE SPRINKLERS IN THE CENTER OR QUARTER OF CEILING TILES AND SHALL BE WHITE FINISH. REFER TO ARCHITECTURAL PLAN FOR CEILING GRID LAYOUT.
- THE SPRINKLER/ FIRE PROTECTION CONTRACTOR SHALL HYDRAULICALLY CALCULATE COMPLETE SPRINKLER SYSTEM.
- PROVIDE (2) EXTRA HEADS FOR EACH TYPE OF SPRINKLER HEAD AND TEMPERATURE AND ASSOCIATED WRENCHES FOR EACH HEAD STYLE FOR SPARES. PROVIDE SURFACE MOUNTED SPRINKLER HEAD/WRENCH CABINET FOR SPARE HEADS AND WRENCHES. MOUNT HEAD CABINET WITHIN UTILITY ROOM, ADJACENT TO FIRE RISER. CABINET SHALL BE EASILY ACCESSIBLE.
- FIRE PROTECTION CONTRACTOR SHALL TEST AND FLUSH PIPING.
- NOTE THAT SPRINKLER HEADS SHOWN ARE FOR REFERENCE ONLY AND THE FIRE PROTECTION CONTRACTOR SHALL DESIGN THE ENTIRE FIRE PROTECTION SYSTEM PER NFPA-13, INCLUDING ALL HEAD LOCATIONS, BRANCH PIPING, MAIN RUNS AND ASSOCIATED PIPE SIZES. HEAD LOCATIONS BY FIRE PROTECTION CONTRACTOR'S DESIGN MAY BE DIFFERENT THAN SHOWN HEREIN.
- ALL PIPING SHALL BE ROUTED AROUND ELECTRICAL AREAS WHERE POSSIBLE. IF ANY PIPING IS OVER THE AREA, DRIP PAN SHALL BE INSTALLED UNDER THE ENTIRE LENGTH OF EACH PIPE OVER THE SENSITIVE AREA OVER THE ROOM, CHANNELING WATER AWAY SO AS TO PREVENT ANY LEAKS IN THE AREA. AT THE LOWER SEGMENT OF DRIP PAN, ROUTE DRAIN TO NEAREST APPROVED RECEPTACLE WITH AN APPROVED AIR GAP PER CODE. CONTRACTOR SHALL REVIEW ALL DRAWING PRIOR TO CONSTRUCTION, AND REPORT IF THIS CONDITION EXIST.

Issued:	Date:
A Client Review Set	04/07/17
B Permit Set	04/07/17
C Bid Set	09/05/17
D	

Revisions:	Date:
1	
2	
3	
4	
5	
6	
7	
8	
9	


DO NOT SCALE PLANS
 Copying, Printing, Software and other processes required to produce these prints on stretch or shrink the actual paper or layout. Therefore, scaling of this drawing may be inaccurate. Contact us consultants with any need for additional dimensions or clarifications.



ms consultants, inc.
 engineers, architects, planners
 2221 Schrock Road
 Columbus, Ohio 43229-1547
 phone 614.898.7100
 fax 614.898.7570

DRAWN BY: ZRD
 REVIEWED BY: KFF/DED

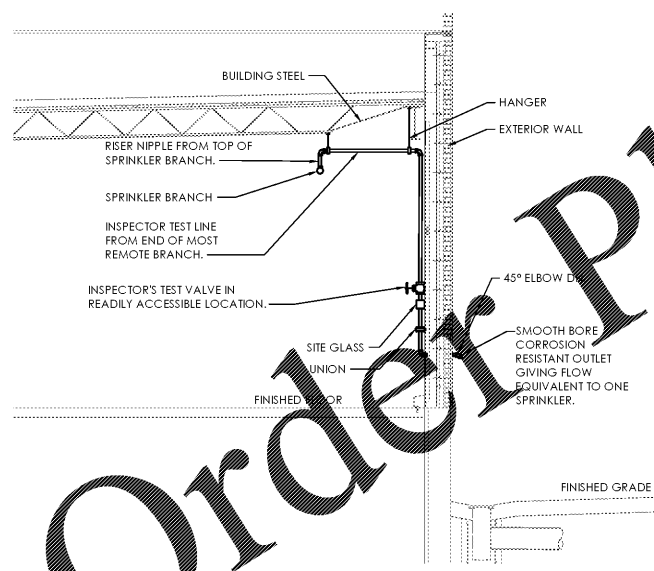
Seal
 PROFESSIONAL OF RECORD:
 DANIEL E. DOWLER No 0402054658
 EXP. DATE: 02/28/2019



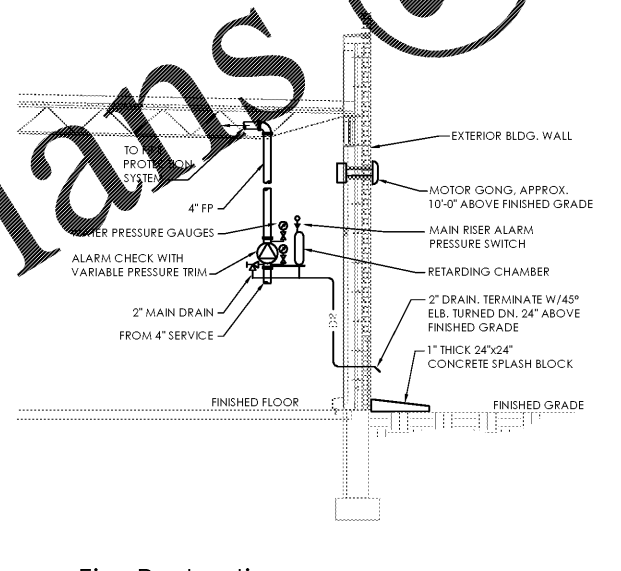
ALDI Inc.
 1985 Old Union Church Road
 Salisbury, NC 28146
 (704) 642-0023
 (704) 642-0078 fax

ALDI Inc. Store #: 161
 VA Beach Blvd & Thalia
 4220 Virginia Beach Blvd
 Virginia Beach, VA 23452
 Willis Wayside
 Project Name & Location:

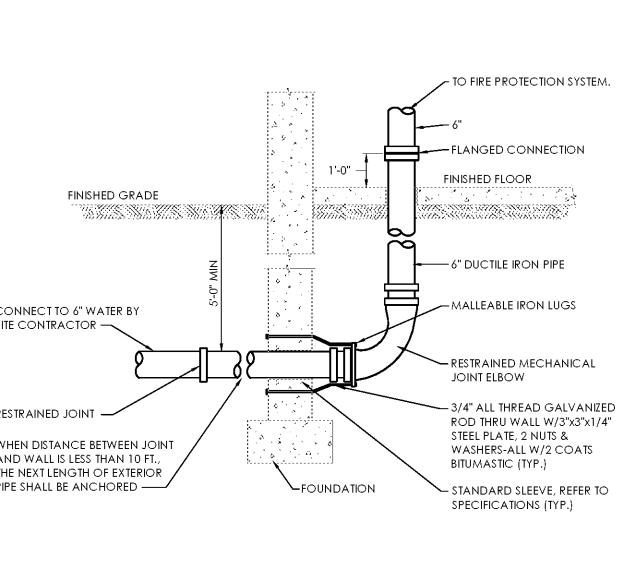
Fire Protection Legend and Details	
Prototype Rls. 02/08/17	Project No. 40320-40
Type: RHSD-V7	
	FP-201
Scale: As Noted	Drawing No.



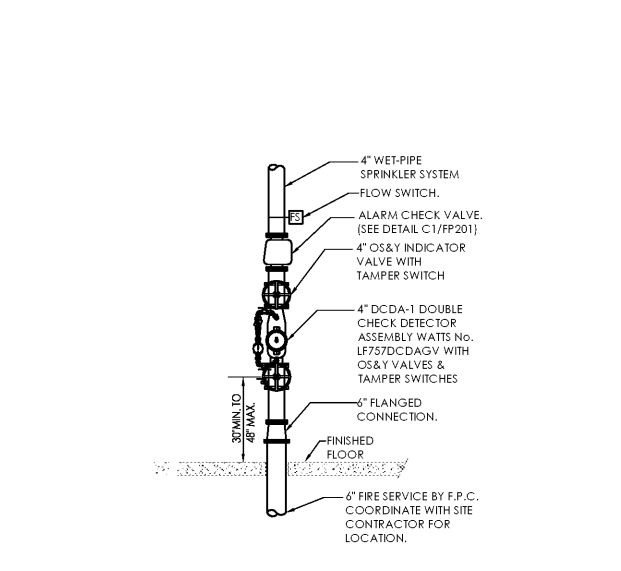
D1 Inspector's Test Connection Detail
 SCALE: N.T.S.



C1 Fire Protection Alarm Check Detail
 SCALE: N.T.S.



B1 Fire Service Lead-In Detail
 SCALE: N.T.S.



A1 Fire Protection Riser Detail
 SCALE: N.T.S.

PLOTTED: 9/1/2017 1:32 PM

www.LDOnline.com

Order Plans @